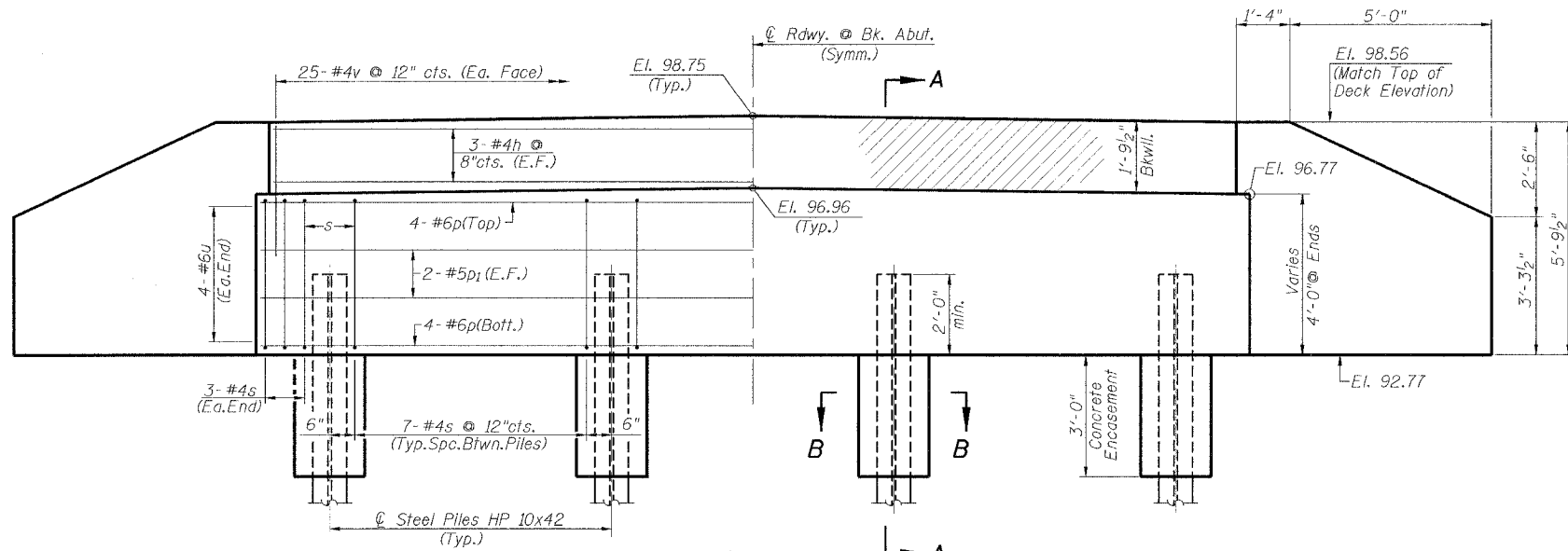


### PILE DATA

W. Abut.	E. Abut.
Steel HP 10x42	Steel HP 10x42
335 Kips	335 Kips
110 Kips	110 Kips
52'	52'
4	3
0	1

Pile Type & Size:  
Nominal Required Bearing:  
Allowable Resistance Available:  
Estimated Pile Length:  
Number of Production:  
Number of Test Piles:

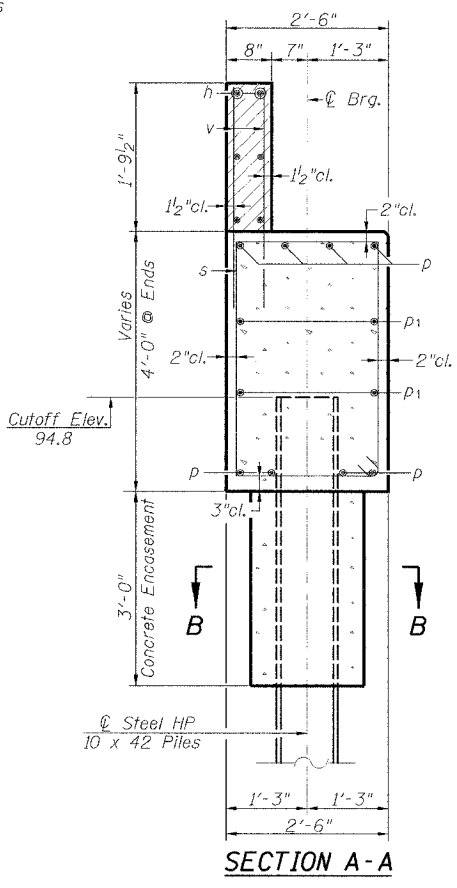
T.R. RTE.	SECTION	COUNTY	TOTAL SHEETS	SHEET NO.
77	05-09111-00-BR	JERSEY	10	7
FED. ROAD DIST. NO. ILLINOIS FED. AID PROJECT				CONTRACT NO. 97344



**ELEVATION**  
(W. Abut. Looking West)  
(E. Abut. Looking East)

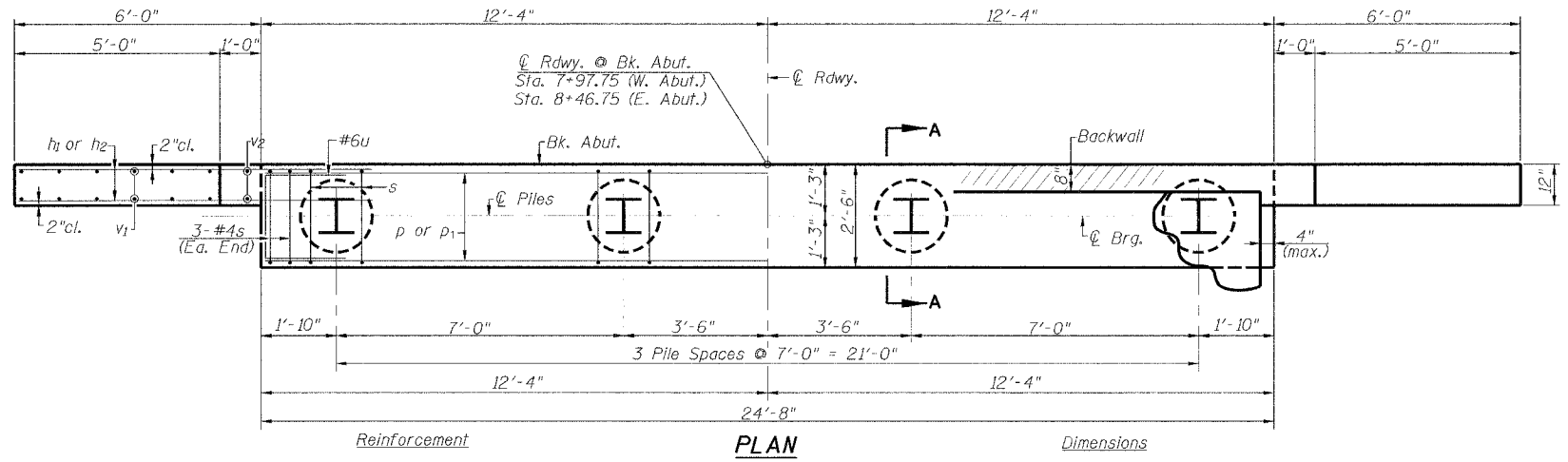
### NOTES

All exposed edges shall have standard 3/4" chamfer. Space reinforcement in cap to miss beam anchor dowels. Wingwalls and Backwalls may, at the contractor's option, be cast monolithically. Hatched area and wingwalls shall be poured after deck beams are anchored in place. Quantity for Concrete Structures is included in Bill of Material, this sheet. The Steel H-Piles shall be according to AASHTO M270 Grade 50. The Test Pile shall be driven to 110 percent of the Nominal Required Bearing indicated in the pile data information.

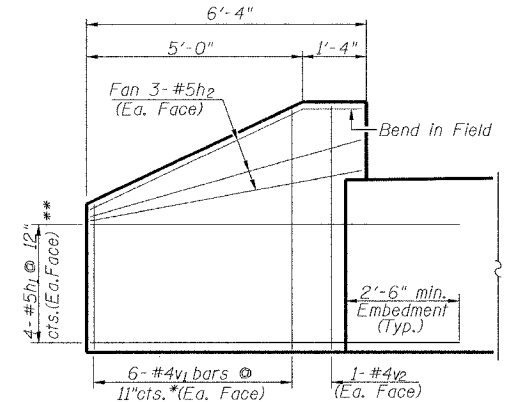
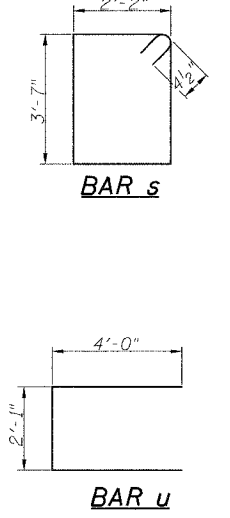


### TWO ABUTMENTS BILL OF MATERIAL

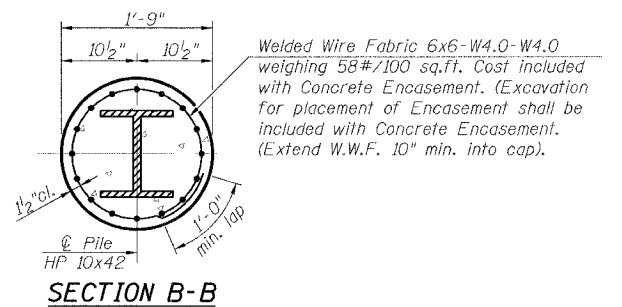
BAR	NO.	SIZE	LENGTH	SHAPE
h	12	#4	26'-8"	—
h1	32	#5	8'-6"	—
h2	24	#5	6'-2"	—
p	16	#6	24'-4"	—
p1	8	#5	24'-4"	—
s	54	#4	12'-3"	□
u	16	#6	10'-1"	□
v	100	#4	3'-3"	—
v1	24	#4	8'-4"	—
v2	8	#4	5'-5"	—
Concrete Structures			Cu. Yd.	25.2
Reinforcement Bars			Pound	2430
Furnishing Steel Piles HP 10x42			Foot	364
Driving Piles			Foot	364
Test Pile Steel HP10x42			Each	1
Concrete Encasement			Cu. Yd.	2.2
Structure Excavation			Cu. Yd.	75



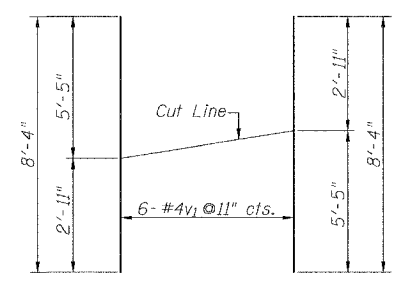
**PLAN**



**WINGWALL ELEVATION**  
(Showing Reinforcement)



**SECTION B-B**



**v1 - BAR CUT DIAGRAM**  
Order v1 bars full length. Layout in field according to diagram. Cut v1 bars along cut line. Use remainder of each bar in opposite face.

FILE NAME	USER NAME	DESIGNED	REVISD	<p>Allen Henderson &amp; Associates, Inc. Civil and Structural Engineers Springfield, IL 62703 Phone: (217)544-8033 IL Design Firm No. 184-001907</p>	<p><b>ABUTMENTS</b></p> <p>SCALE: VARIES SHEET NO. 7 OF 10 SHEETS STA. 5+90.00 TO STA. 10+00.00</p>	T.R. RTE.	SECTION	COUNTY	TOTAL SHEETS	SHEET NO.
#FILEL#		DRAWN	REVISD			77	05-09111-00-BR	JERSEY	10	7
PLT SCALE = #SCALE#		CHECKED	REVISD			CONTRACT NO. 97344				
PLT DATE = #DATE#		DATE	REVISD			FED. ROAD DIST. NO. ILLINOIS FED. AID PROJECT				