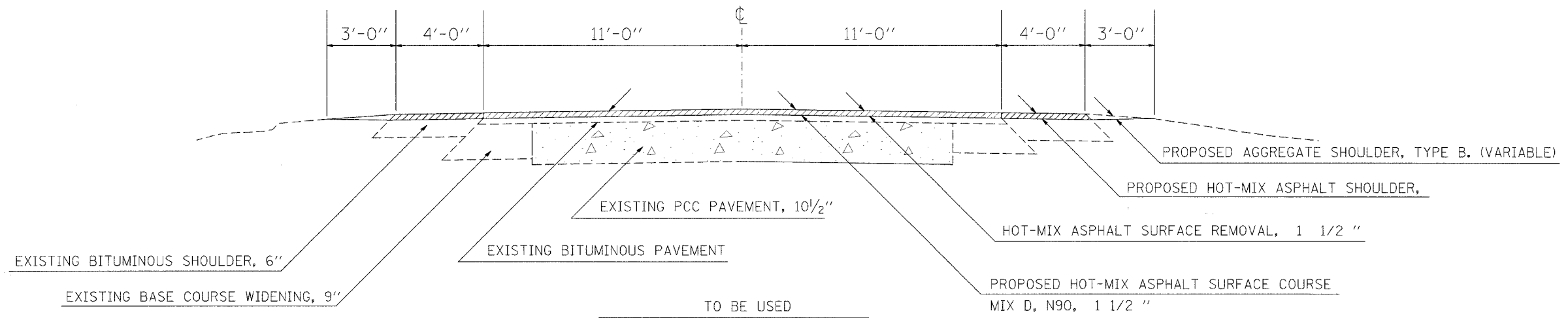


F.A. RTE.	SECTION	COUNTY	TOTAL SHEETS	SHEET NO.
869	D-9 SMART FY07-3	FRANKLIN	31	4
STA.		TO STA.		
FED. ROAD DIST. NO.		ILLINOIS FED. AID PROJECT		

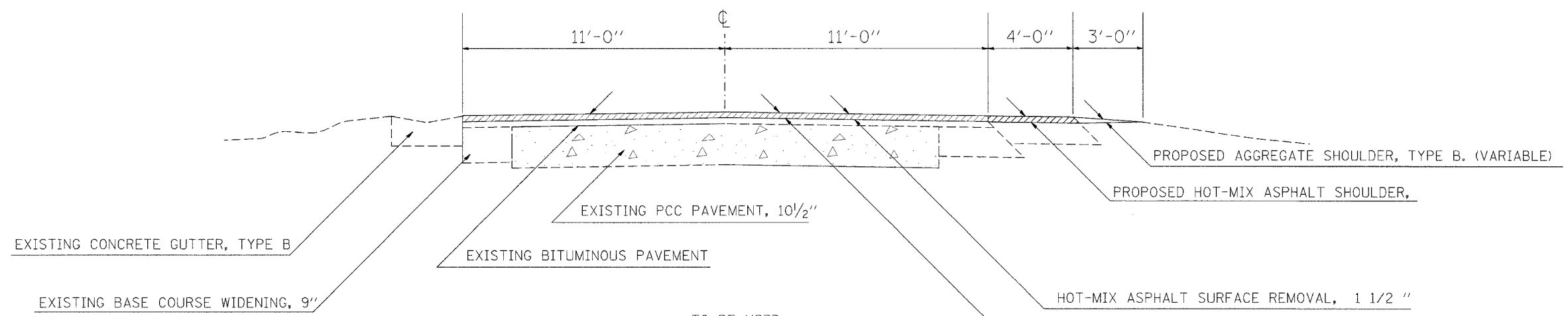
TYPICAL SECTION  
FAP 869 (IL 14)  
FRANKLIN COUNTY



TO BE USED

STA. 541+65.00 TO 565+83.10	EQ. STA. 565+83.10 BK= 566+96.19 AH	STA. 647+10.00 TO 666+84.40	EQ. STA. 666+84.40 BK= 667+00.00 AH
STA. 566+96.19 TO 578+76.00	STA. 579+24.00 TO 585+00.00	STA. 667+00.00 TO 692+80.05	EQ. STA. 692+80.05 BK= 693+06.54 AH
EQ. STA. 585+00.00 BK= 585+19.37 AH	STA. 585+19.37 TO 603+42.00	STA. 693+06.54 TO 757+14.82	EQ. STA. 757+14.82 BK= 765+74.55
STA. 603+90.00 TO 605+48.00	STA. 608+28.00 TO 611+07.62	EQ. STA. 765+74.55 TO 768+95.00	STA. 772+85.00 TO 816+91.90
EQ. STA. 611+07.62 BK= 610+95.61 AH	STA. 610+95.61 TO 633+75.00	EQ. STA. 816+91.90 BK= 816+84.50 AH	STA. 816+84.50 TO 839+08.47
STA. 636+93.00 TO 637+35.00	STA. 639+24.00 TO 643+80.00	EQ. STA. 839+08.47 BK= 839+13.52 AH	STA. 839+13.52 TO 844+50.00

TYPICAL SECTION  
FAP 869 (IL 14)  
FRANKLIN COUNTY



TO BE USED

STA. 578+76 TO 579+24
STA. 603+42 TO 603+90
STA. 605+48 TO 608+28
STA. 633+75 TO 636+93
STA. 637+35 TO 639+24
STA. 643+80 TO 647+10

PLOT DATE = 2/4/2008  
 PLOT SCALE = 2:1 (0.5" = 1'-0")  
 USER NAME = pcoral