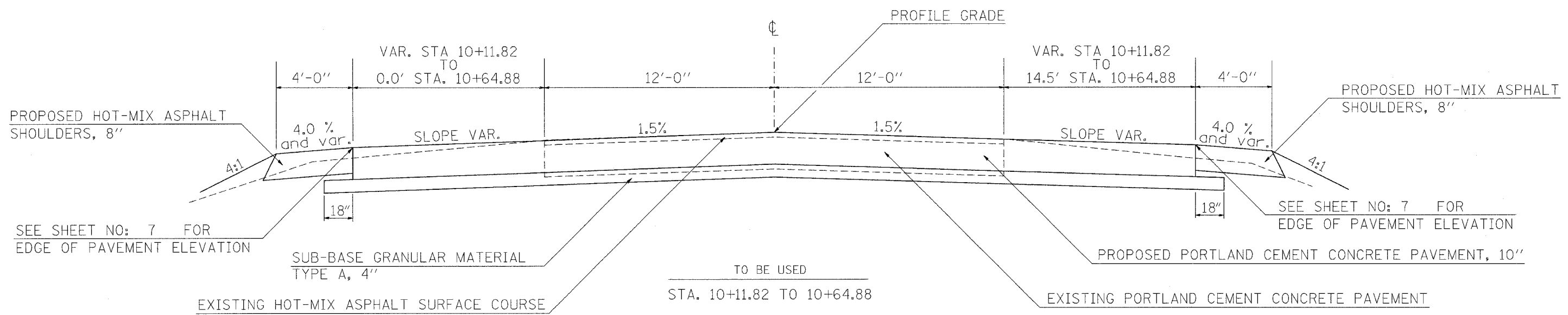
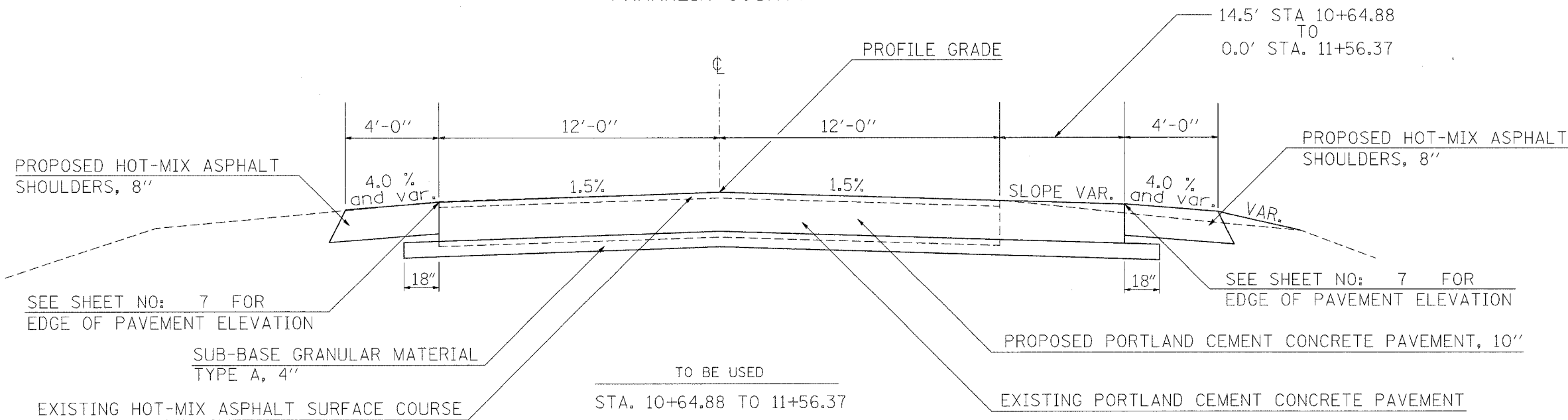


F.A. RTE.	SECTION	COUNTY	TOTAL SHEETS	SHEET NO.
869	D-9 SMART FY07-3	FRANKLIN	31	5
STA.		TO STA.		
FED. ROAD DIST. NO.	ILLINOIS	FED. AID PROJECT		

TYPICAL SECTION  
REND CITY ROAD  
FRANKLIN COUNTY



TYPICAL SECTION  
REND CITY ROAD  
FRANKLIN COUNTY



PLOT DATE = 2/1/2008  
FILE NAME = c:\p\c\m\p\4183\4183.dwg  
PLOT SCALE = 25000 / IN.  
USER NAME = post