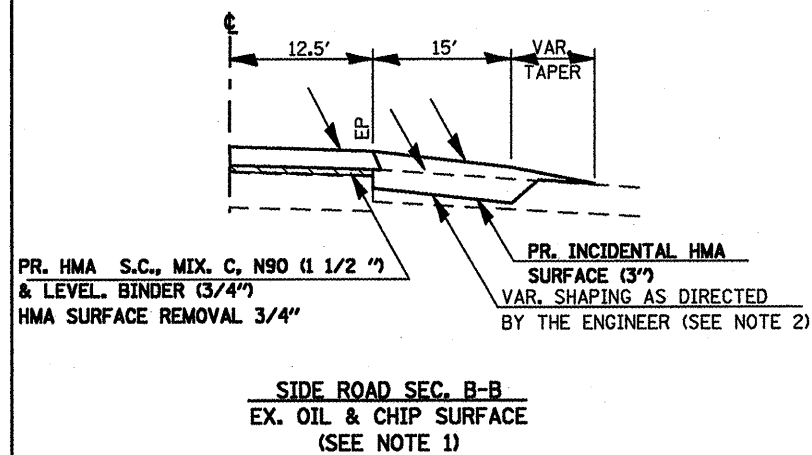
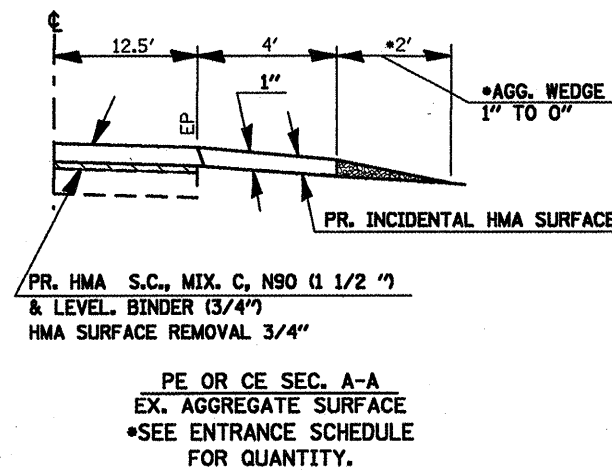
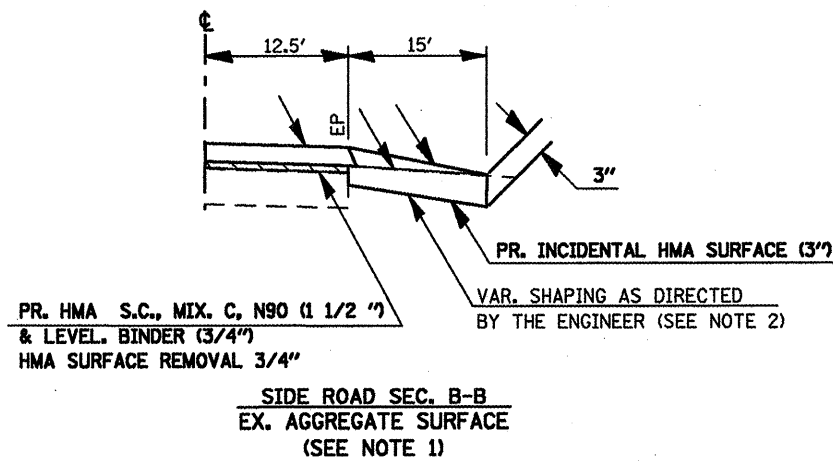
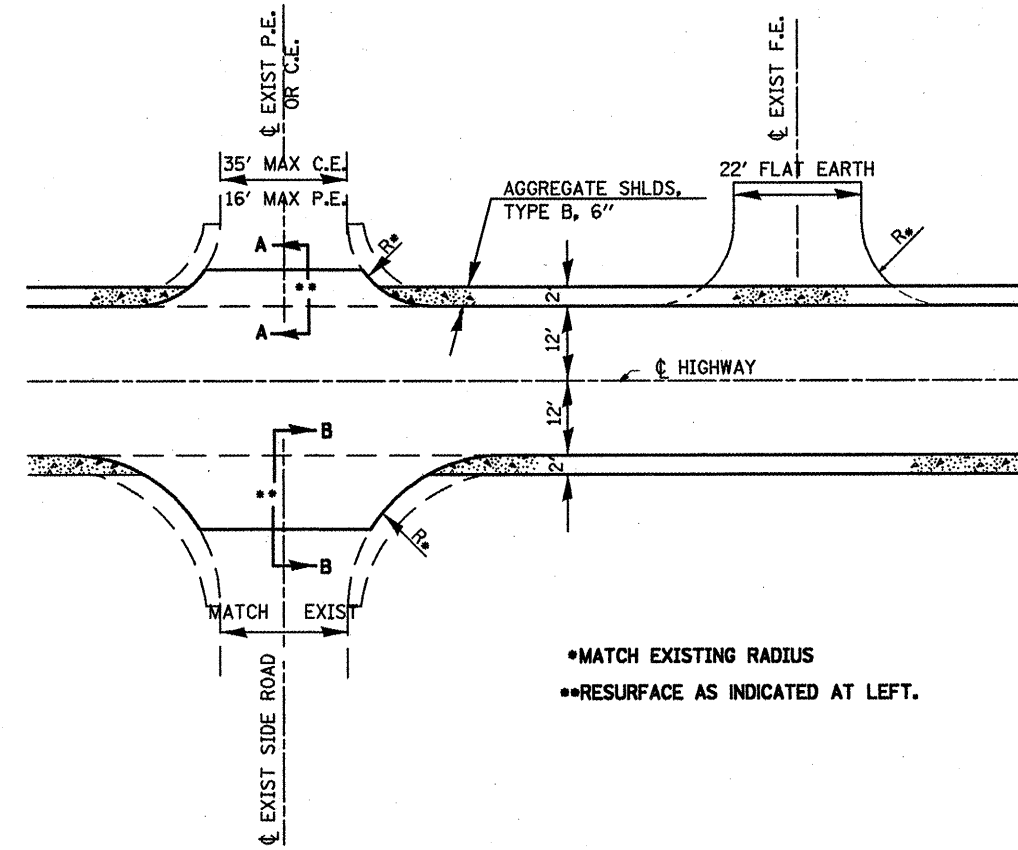
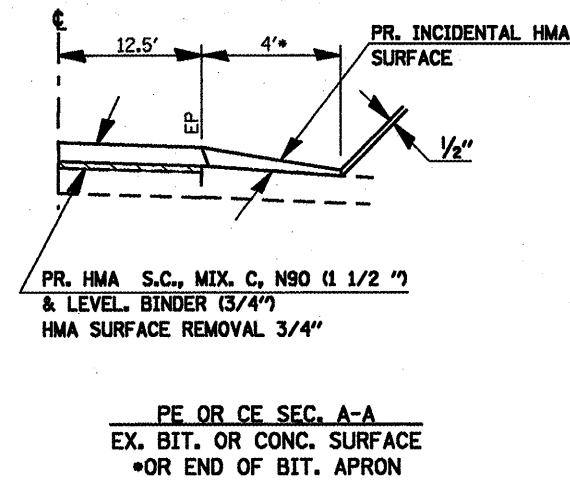
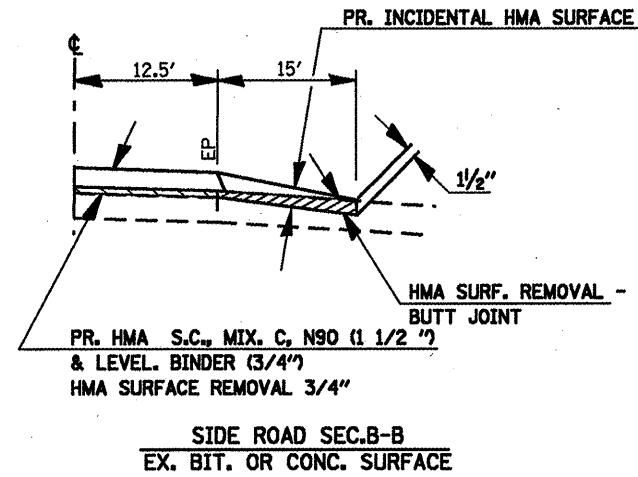


F.A.R. DIST.	SECTION	COUNTY	TOTAL SHEETS	SHEET NO.
103	102RS-4	PERRY	13	12
STA.	TO STA.			
FILE NO. DIST. NO.	ALLOWS	FILE NO. PROJECT		

SIDEROAD AND ENTRANCE DETAILS



NOTES

- IF EXISTING SUBBASE IS INADEQUATE, AS DETERMINED BY THE ENGINEER, THE SIDE ROADS SHALL BE CORED OUT AND AGGREGATE SUBBASE, TYPE B SHALL BE PLACED FOR BASE. THE COST OF CORING OUT THE SIDE ROAD AND ANY AGGREGATE BASE COURSE SHALL BE PAID FOR AS SPECIFIED IN ART. 109.04 OF THE STANDARD SPECIFICATIONS FOR ROAD AND BRIDGE CONSTRUCTION. IF EXISTING SUBBASE IS DETERMINED TO BE ADEQUATE, THE PREPARATION OF THE BASE SHALL BE CONSTRUCTED ACCORDING TO ARTICLE 406.19.
- VARIABLE SHAPING IS INCLUDED IN THE COST OF INCIDENTAL HOT-MIX ASPHALT SURFACE.

ENTRANCE SCHEDULE

TYPE	NUMBER OF ENTRANCES
P.E.	30
C.E.	1
S.B.	6