

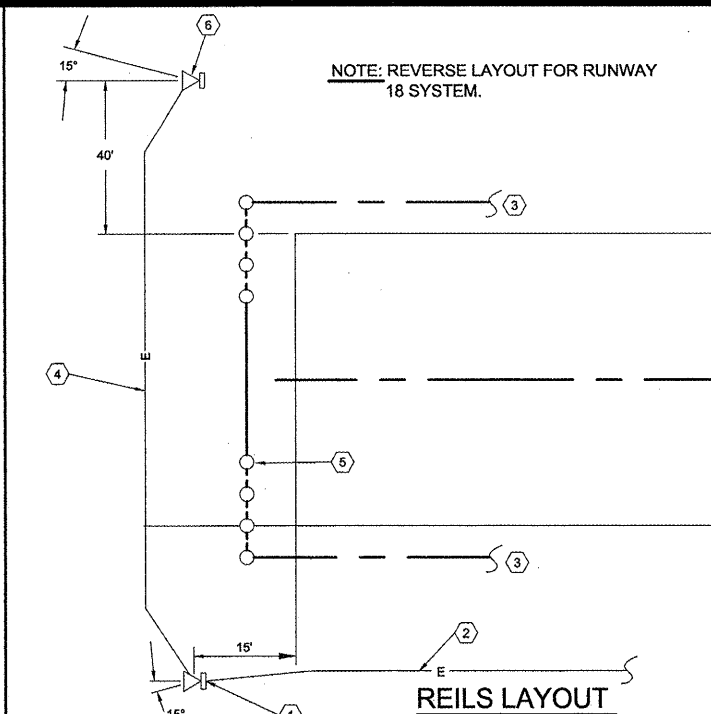
BN012

| PAPI - RUNWAY 18 |           |              |                       |
|------------------|-----------|--------------|-----------------------|
| STATION          | OFFSET    | AIMING ANGLE | BEAM CENTER ELEVATION |
| 34+42.8          | 87.5' RT  | 3° 30'       | 439.92                |
| 34+42.8          | 112.5' RT | 3° 10'       | 439.92                |
| 34+42.8          | 137.5' RT | 2° 50'       | 439.92                |
| 34+42.8          | 162.5' RT | 2° 30'       | 439.92                |

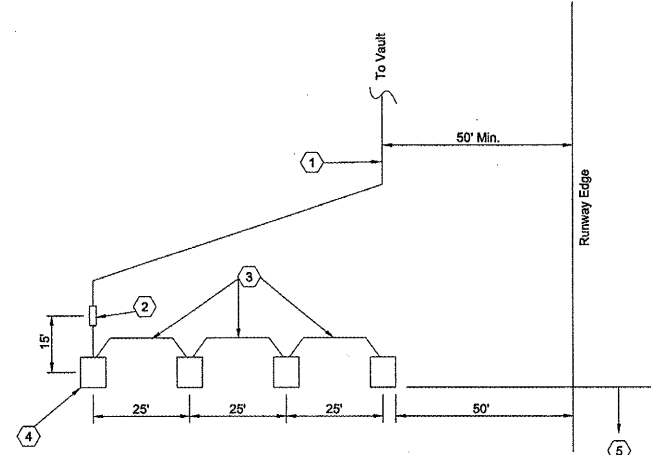
| REIL - RUNWAY 18 |          |
|------------------|----------|
| STATION          | OFFSET   |
| 42+72            | 77.5' LT |
| 42+72            | 77.5' RT |

| REIL - RUNWAY 36 |          |
|------------------|----------|
| STATION          | OFFSET   |
| -2+70            | 77.5' LT |
| -2+70            | 77.5' RT |

PAPI & REIL LOCATION AND ELEVATION CHART

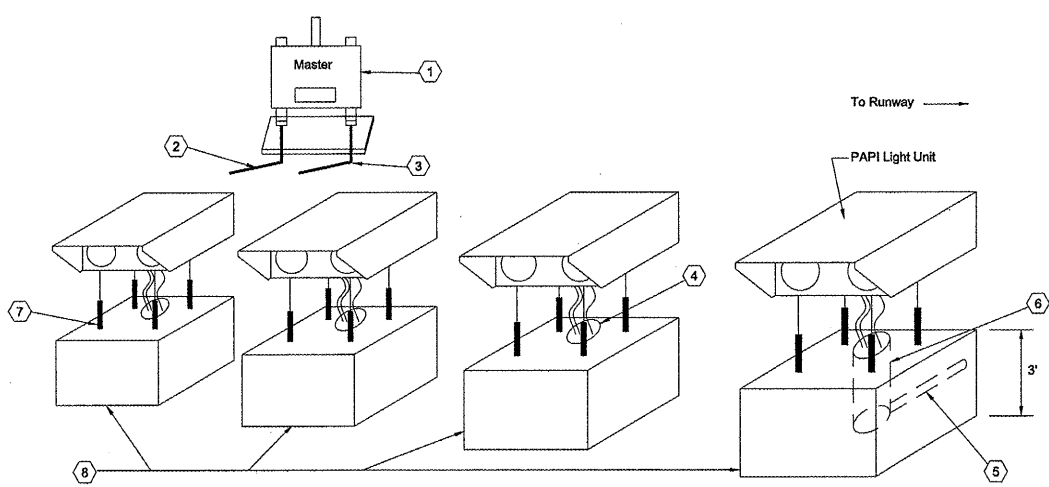


- DETAIL NOTES:**
- REIL master unit. For master and slave units, the vertical aiming angle shall be 10 degrees above horizontal, and angled away from the runway centerline as shown.
  - See Site Plans for wire feeds.
  - Existing runway lighting circuit. Locate and avoid damaging.
  - Interconnect wiring between master and slave units shall be per system manufacturer's requirements, and shall be considered incidental to this item. All power wiring shall be 600 volt rated, Type C for direct burial installations. Provide a minimum of two spare conductors between units.
  - Existing threshold lights. Locate and avoid underground wiring.
  - REIL slave unit.



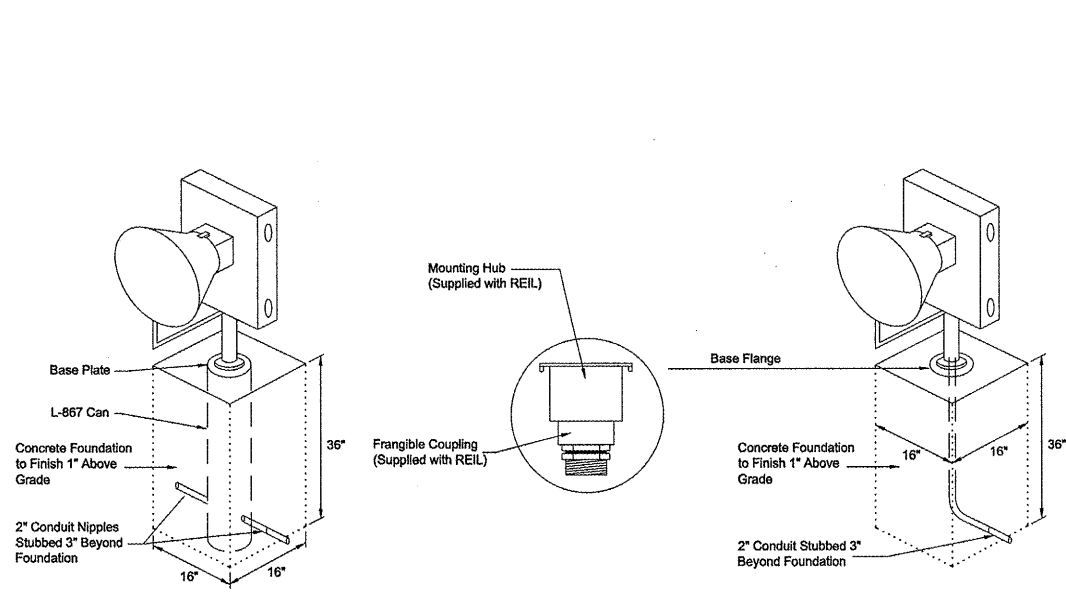
PAPI SYSTEM LAYOUT (TYPICAL)  
NO SCALE

- DETAIL NOTES:**
- See Site Plans for circuit routing to vault and conductor sizes.
  - Master Power & Control Unit. See detail, This Sheet.
  - Interconnect wiring in trench as required by system manufacturer.
  - Typical four-box layout. See chart, this sheet for exact elevation to light beam center for each box.
  - See Site Plans for exact dimensions from runway threshold.



TYPICAL PAPI L-880 SYSTEM  
NO SCALE

- DETAIL NOTES:**
- Master power and control unit. Concrete foundation requirements shall be same as Note 8.
  - 240 volt AC power wiring in trench from vault.
  - Power and control wiring in trench as required by manufacturer.
  - Provide frangible couplings and L-823 connectors for all wire entrances into base plate hubs.
  - Typical 2" conduit stubbed 3" beyond outside edge of foundation for wiring.
  - Typical L-867, style D can with base plate; location per manufacturer's requirements. Base flanges shall be fastened to the foundation with 1/2" x 6" galvanized anchor bolts, washers and nuts; quantity per flange shall be per manufacturer's requirements.
  - Concrete foundations shall extend 1 ft beyond edge of light box units, and shall finish 1" above the highest surrounding grade with edges beveled or chamfered. Center the unit on the foundation.



MASTER UNIT  
NO SCALE

SLAVE UNIT  
NO SCALE

TYPICAL FOR REIL MASTER & SLAVE UNITS  
NO SCALE

23 May 2008 - 6:59am X:\2007\07190\loc\plans\Plan Views.dwg: Layout Tab 'PAPI & REIL Details'