

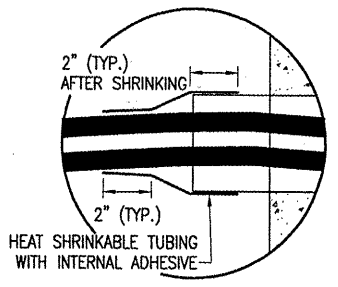
REVISION	DATE	BY

COLES COUNTY AIRPORT
 AUTHORITY
 COLES COUNTY AIRPORT
 A.I.P. PROJ.: 3-17-0066-B20
 I.L. PROJ.: MTO-3762

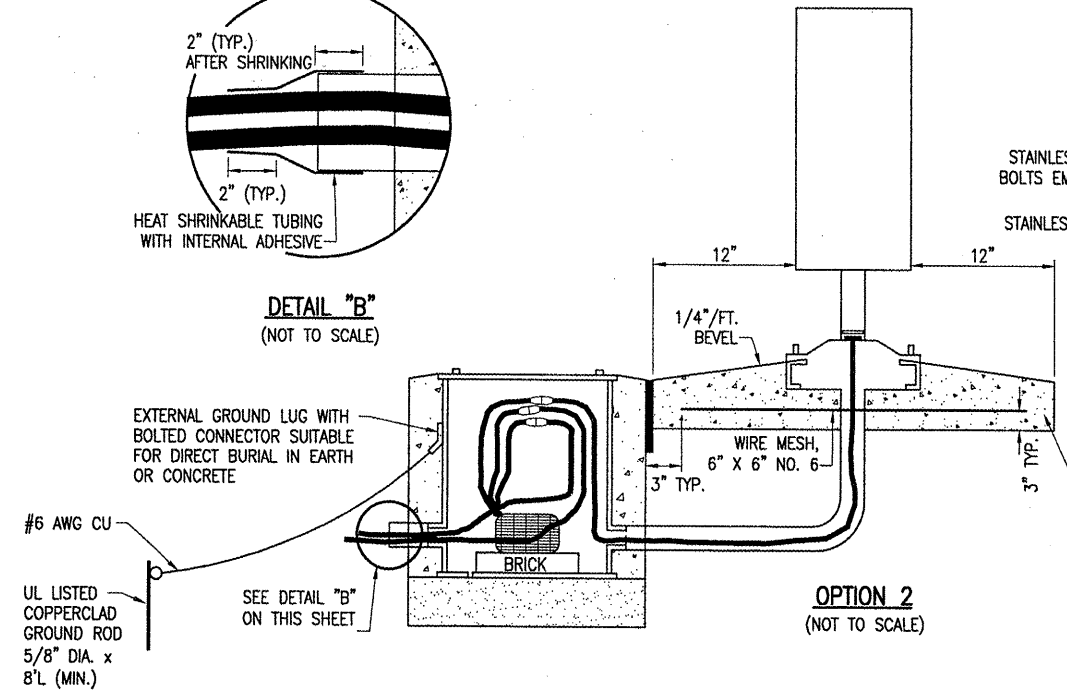
Project No. 07A0101D-0800	Scale N/A	Date 04/04/08
Drawn KNL	Reviewed CAH	04/03/08
Checked MW	03/28/08	03/28/08

HANSON
 Hanson Professional Services Inc.
 1525 South Sixth Street
 Springfield, Illinois 62703-2886
 Offices Nationwide

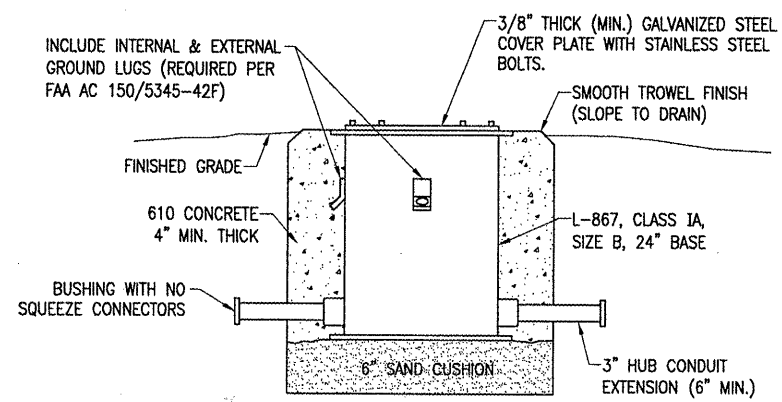
REPLACE ELECTRICAL
 DUCT IN FRONTAL AREA
 PROPOSED
 ELECTRICAL DETAILS
 SHEET 1



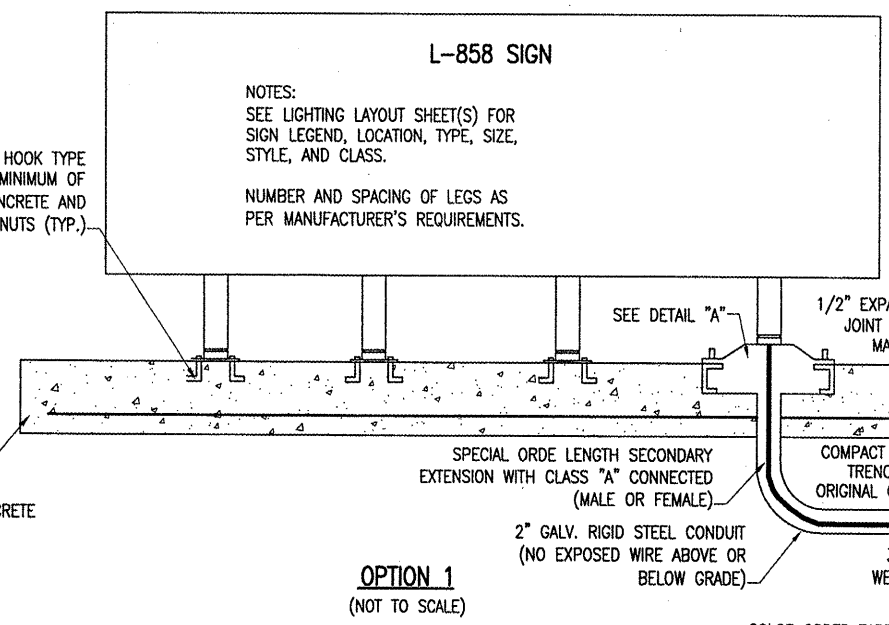
DETAIL "B"
 (NOT TO SCALE)



OPTION 2
 (NOT TO SCALE)



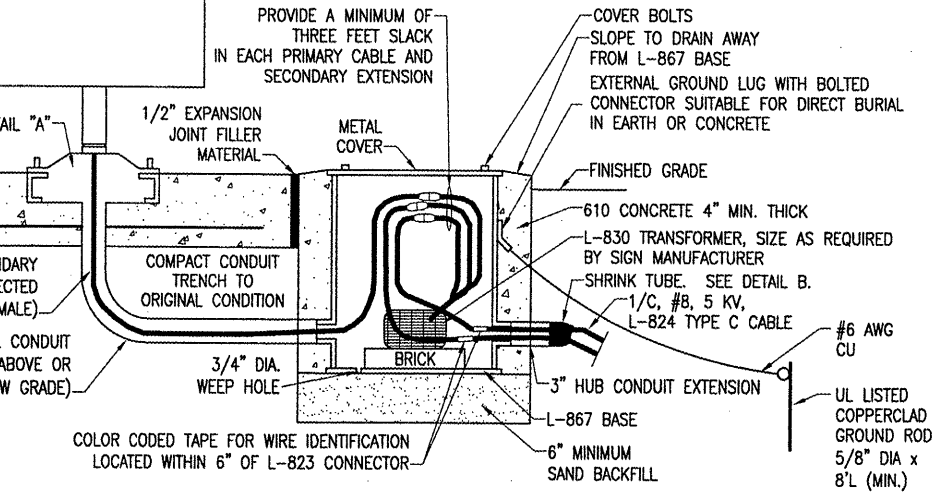
TRANSFORMER BASE/SPLICE CAN DETAIL
 (NOT TO SCALE)



OPTION 1
 (NOT TO SCALE)

L-858 SIGN
 NOTES:
 SEE LIGHTING LAYOUT SHEET(S) FOR
 SIGN LEGEND, LOCATION, TYPE, SIZE,
 STYLE, AND CLASS.
 NUMBER AND SPACING OF LEGS AS
 PER MANUFACTURER'S REQUIREMENTS.

THE LOCATION OF UNDERGROUND UTILITIES AS INDICATED ON THE PLANS
 HAS BEEN OBTAINED FROM EXISTING RECORDS. NEITHER THE OWNER
 NOR THE ENGINEER ASSUMES ANY RESPONSIBILITY WHATSOEVER, IN
 RESPECT TO THE ACCURACY OR SUFFICIENCY OF THE INFORMATION AND
 THERE IS NO GUARANTEE, EITHER EXPRESSED OR IMPLIED, THAT THE
 CONDITIONS ARE REPRESENTATIVE OF THOSE TO BE ENCOUNTERED IN
 THE CONSTRUCTION.



DETAIL "A"
 (NOT TO SCALE)

THE LOCATION, SIZE AND TYPE OF MATERIAL OF EXISTING UNDERGROUND UTILITIES
 INDICATED ON THE PLANS IS NOT REPRESENTED AS BEING ACCURATE, SUFFICIENT OR
 COMPLETE. IT SHALL BE THE CONTRACTOR'S RESPONSIBILITY TO DETERMINE THE
 ACTUAL LOCATION OF ALL SUCH FACILITIES, INCLUDING SERVICE CONNECTIONS TO
 UNDERGROUND UTILITIES. PRIOR TO CONSTRUCTION, THE CONTRACTOR SHALL NOTIFY
 THE UTILITY COMPANIES OF HIS OPERATIONAL PLANS AND SHALL OBTAIN FROM THE
 RESPECTIVE UTILITY COMPANIES DETAILED INFORMATION AND ASSISTANCE RELATIVE TO
 THE LOCATION OF THEIR FACILITIES AND THE WORKING SCHEDULE OF THE COMPANIES
 FOR REMOVAL OR ADJUSTMENT WHERE REQUIRED. IN THE EVENT AN UNEXPECTED
 UTILITY INTERFERENCE IS ENCOUNTERED DURING CONSTRUCTION, THE CONTRACTOR
 SHALL IMMEDIATELY NOTIFY THE UTILITY COMPANY OF JURISDICTION. THE ENGINEER
 SHALL ALSO BE IMMEDIATELY NOTIFIED. ANY SUCH MAINS AND SERVICES SHALL BE
 RESTORED TO SERVICE AT ONCE AND PAID FOR BY THE CONTRACTOR AT NO
 ADDITIONAL COST TO THE CONTRACT.

CALL J.U.L.I.E. FOR UTILITY INFORMATION AT 1-800-892-0123.

TAXI GUIDANCE SIGNS ARE EXISTING. DETAILS ARE SHOWN TO
 PROVIDE INFORMATION ON CONNECTING HOMERUN CABLES FOR
 AIRFIELD LIGHTING CIRCUITS.

MAY 14, 2008 11:58 AM KINCA00394
 I:\AIRPORTS\COLES\07A0101\CAD\SHEETS\R-544ELE.DWG - ELECTRICAL_DETAILS