



HANSON PROFESSIONAL SERVICES INC.

815 Commerce Drive, Suite 200  
Oak Brook, Illinois 60523  
Telephone: 630.990.3800  
Fax: 630.990.3801

Illinois Professional Design Firm  
Registration No. 184-001084

© Copyright Hanson Professional Service Inc. 2008

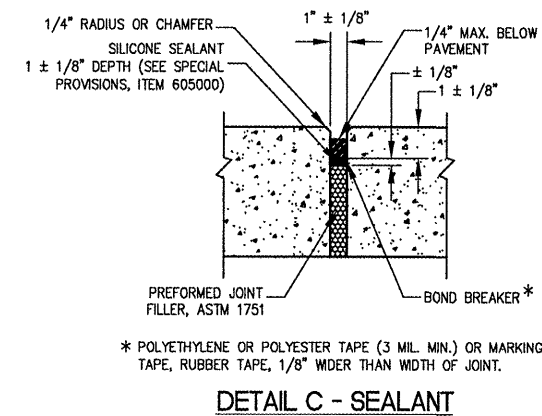
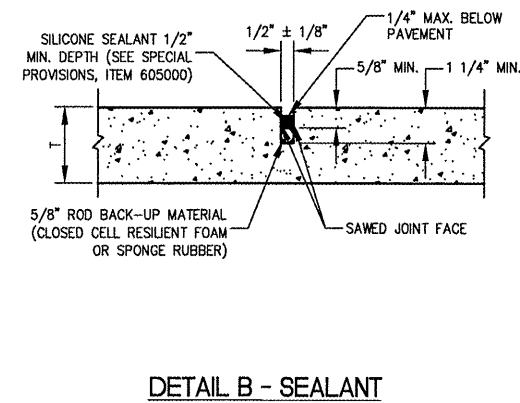
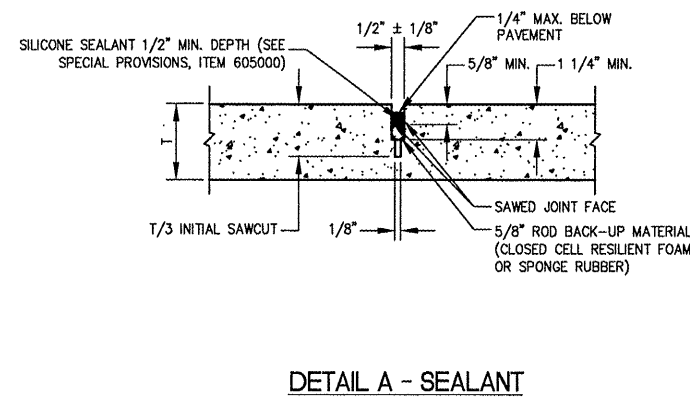
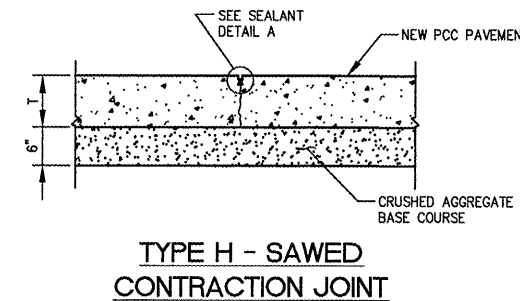
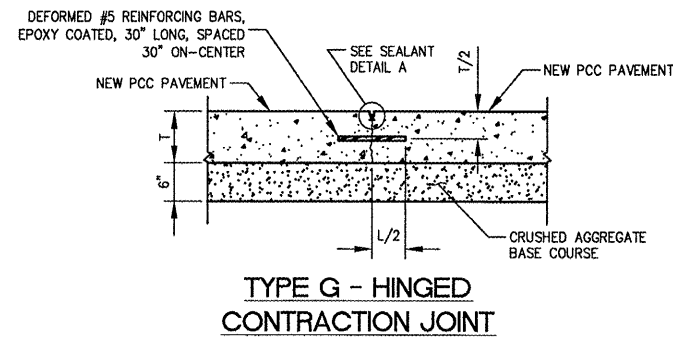
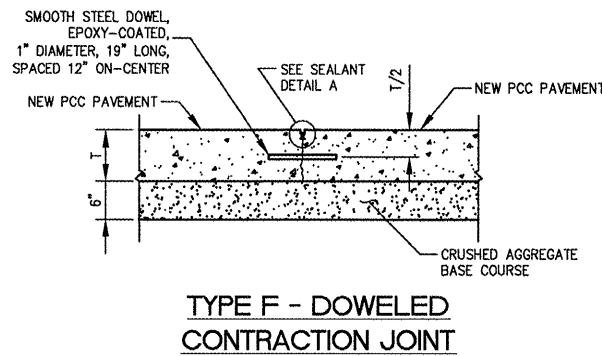
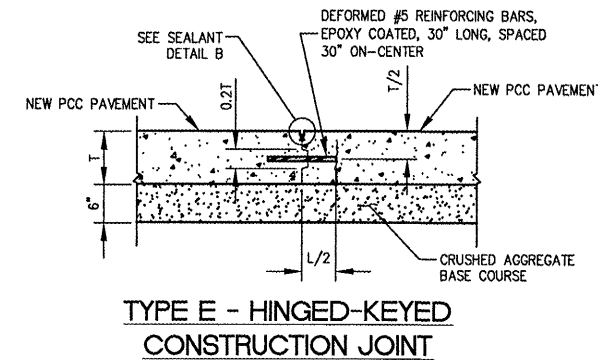
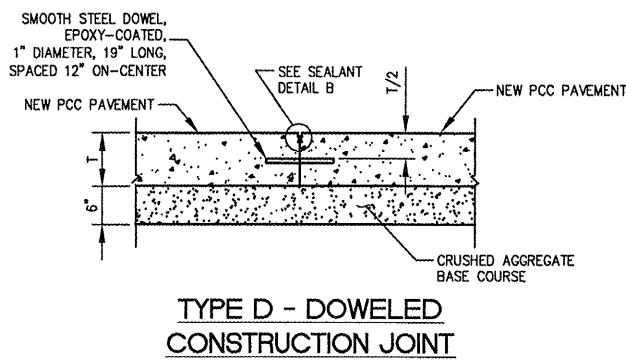
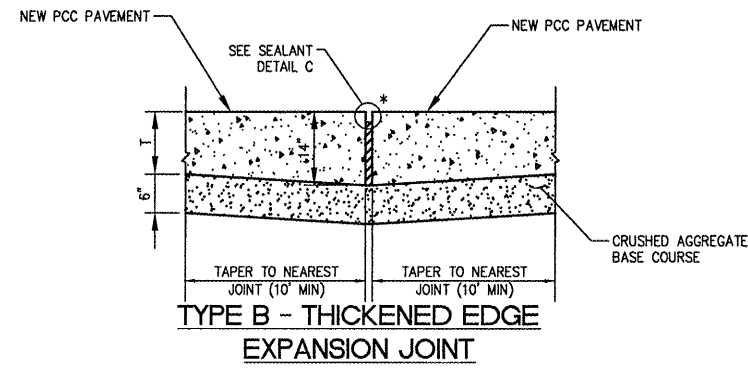


JOLIET REGIONAL PORT DISTRICT

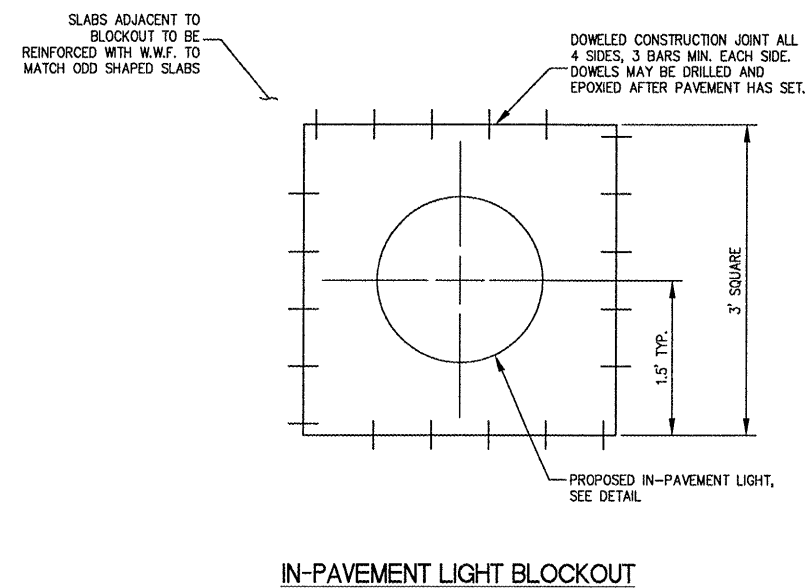
1 George Michas Drive  
Romeoville, Illinois 60446  
Telephone: 815.838.9497  
Fax: 815.838.9524

EXTEND RUNWAY 2-20; CONSTRUCT  
TAXIWAY TURNAROUND

AIP PROJECT NO. 3-17-0140-B42  
IDA PROJECT NO. LOT-3792



\* POLYETHYLENE OR POLYESTER TAPE (3 MIL. MIN.) OR MARKING TAPE, RUBBER TAPE, 1/8" WIDER THAN WIDTH OF JOINT.



DETAILS SHOWN ARE NOT TO SCALE

No.	Drawing Issue Description	Date	By

Date  
APRIL 18, 2008  
Sheet Title

P.C.C. PAVEMENT AND JOINTING DETAILS

07A0166  
Project Number  
LDH 02/21/08  
Layout By Date  
LDH 02/21/08  
Designed By Date  
RMH 03/20/08  
Reviewed By Date  
Drawn By Sheet No.

I:\07A0051\00840\07A0166 DRAWINGS\SHEETS\37-JOINTING DETAILS.DWG APP. 18, 2008 10:16AM HANSON0802