



HANSON PROFESSIONAL SERVICES INC.

815 Commerce Drive, Suite 200
Oak Brook, Illinois 60523
Telephone: 630.990.3800
Fax: 630.990.3801

Illinois Professional Design Firm
Registration No. 184-001084

© Copyright Hanson Professional Service Inc. 2008

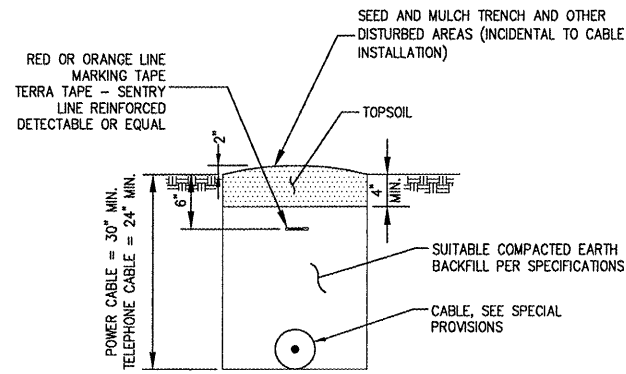


JOLIET REGIONAL PORT DISTRICT

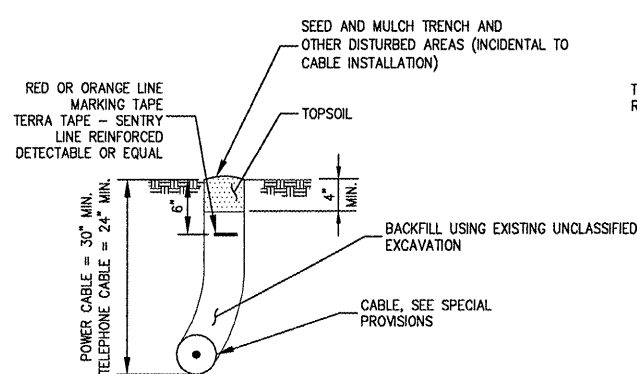
1 George Michas Drive
Romeoville, Illinois 60446
Telephone: 815.838.9497
Fax: 815.838.9524

EXTEND RUNWAY 2-20: CONSTRUCT TAXIWAY TURNAROUND

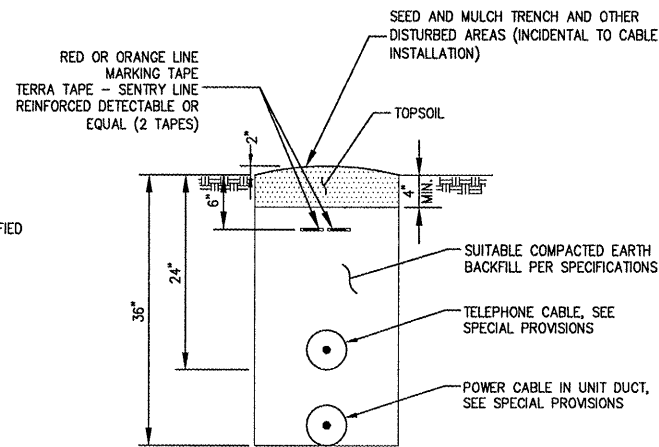
AIP PROJECT NO. 3-17-0140-B42
IDA PROJECT NO. LOT-3792



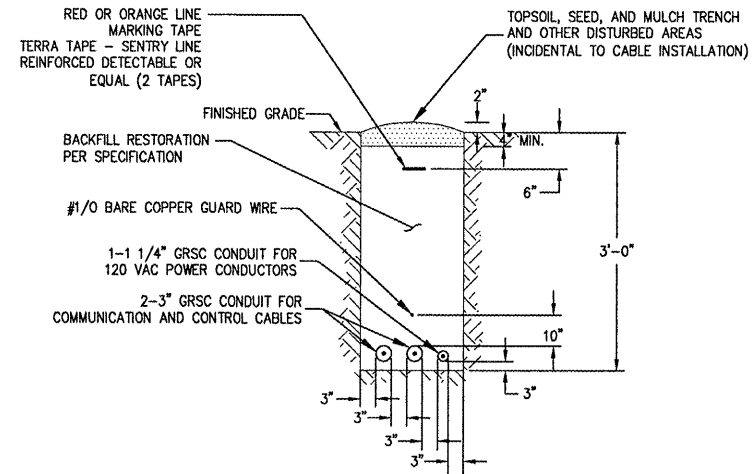
CABLE IN TRENCH



CABLE PLOWED

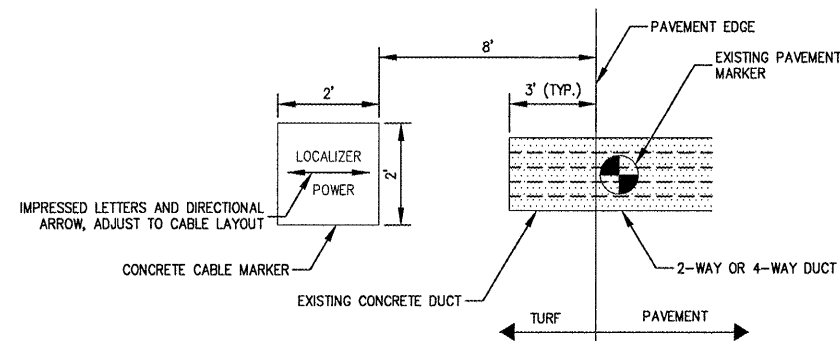


POWER AND TELEPHONE CABLE IN SAME TRENCH (OR PLOWED)



NOTE
LOCALIZER CONTROL CABLING SHOWN IS TYPICAL. ACTUAL CONTROL CABLING SHALL BE PER EQUIPMENT MANUFACTURER'S SPECIFICATIONS.

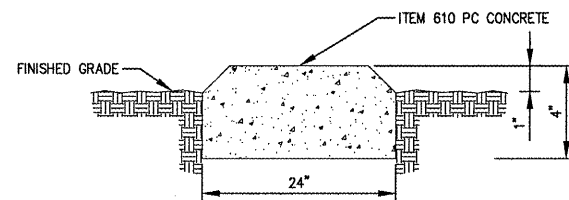
LOCALIZER POWER AND CONTROL CABLES TRENCH DETAIL



LOCATION PLAN

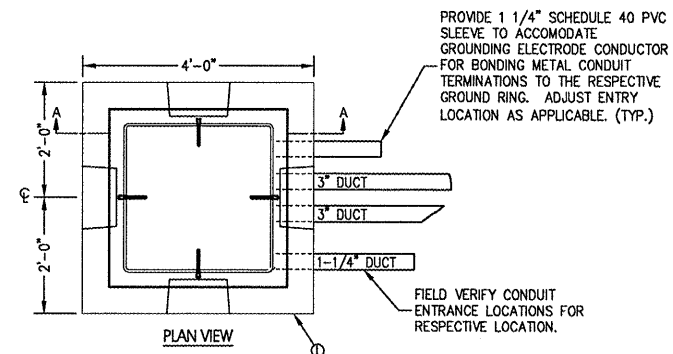
NOTES

1. ALL POWER CABLE AND CONTROL CABLE SHALL BE PROVIDED WITH TURF CABLE MARKERS.
2. THE COSTS OF ALL POWER CABLE MARKERS SHALL BE INCIDENTAL TO THE CABLE. THE COST OF LOCALIZER CONTROL CABLE MARKERS SHALL BE INCIDENTAL TO THE LOCALIZER.
3. CABLE MARKERS SHALL BE PLACED AT CHANGES OF DIRECTION AND EVERY 200' ALONG CABLE RUNS.
4. LETTERS 4" HIGH, 3" WIDE WITH WIDTH OF STROKE 1/2" AND 1/4" DEEP. ALL LETTERS, NUMBERS AND ARROWS TO BE IMPRESSED.



CONCRETE MARKER

TURF CABLE MARKERS



NOTES

1. FOR ELECTRICAL HANDHOLE REQUIREMENTS, SEE SHEET 58.

ELECTRICAL HANDHOLE PLAN FOR LOCALIZER

No.	Drawing Issue Description	Date	By

Date
APRIL 18, 2008

Sheet Title

LOCALIZER POWER AND CONTROL CABLES DETAILS

07A0166
Project Number
LDH 03/20/08
Layout By Date
LDH 03/20/08
Designed By Date
RMH 03/20/08
Reviewed By Date
TMM
Drawn By Sheet No.

73

DETAILS SHOWN ARE NOT TO SCALE