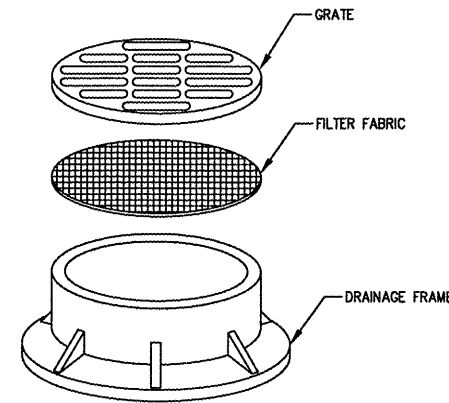


NOTES:

- FENCE POST SHALL BE EITHER STEEL "1" LINE POST OR HARDWOOD POST WITH A MINIMUM SECTIONAL AREA OF 3.0 SQUARE INCHES.
- TOP AND BOTTOM WIRE OF WIRE FABRIC SHALL BE MINIMUM GAGE NO. 9. INTERMEDIATE WIRES OF THE WIRE FABRIC SHALL BE MINIMUM GAGE NO. 11.
- WIRE FABRIC SHALL BE SECURELY FASTENED TO FENCE POSTS WITH NO. 9 GAGE WIRE MINIMUM. FOUR (4) FASTENERS PER POST REQUIRED.
- FILTER FABRIC SHALL BE SECURELY FASTENED TO WIRE FABRIC AND POSTS WITH TIES OR STAPLES SPACED AT 12" APART AT THE TOP, MIDDLE AND BOTTOM.
- WHEN TWO SECTIONS OF FILTER FABRIC MEET, THEY SHALL BE OVERLAPPED BY 6" AND FOLDED AND ATTACHED TO THE WIRE FABRIC AT A POST.
- MAINTENANCE SHALL BE PERFORMED AS NEEDED AND MATERIAL REMOVED AND REPLACED WHEN BULGES DEVELOP IN THE SILT FENCE.
- FILTER FABRIC SHALL BE IN ACCORDANCE WITH SPECIAL PROVISIONS WITH EQUIVALENT OPENING SIZE OF AT LEAST 30 FOR NONWOVEN AND 50 FOR WOVEN.
- WIRE FABRIC MAY BE OMITTED IF A MAXIMUM OF 5 FEET IS USED FOR POST-TO-POST SPACING.
- SILT FENCE SHALL BE INSTALLED PRIOR TO ANY GRADING WORK IN THE AREA TO BE PROTECTED. PERIODIC INSPECTION SHALL BE PERFORMED AND REQUIRED MAINTENANCE SHALL BE PROVIDED AFTER EACH RAIN EVENT.
- FENCE POSTS SHALL BE REMOVED WHEN DIRECTED AT PROJECT END.



NOTES:

- FILTER WRAP TO BE PLACED IN ALL MANHOLES AS SHOWN.
- FABRIC SHALL BE IN CONFORMANCE WITH MATERIALS SPECIFIED FOR SILT FENCE.
- FABRIC SHALL OVERLAY FRAME BY 2 INCHES (MINIMUM).
- CONTRACTOR SHALL CLEAR DEBRIS AND SILT AS REQUIRED FROM FABRIC TO MAINTAIN DRAINAGE THROUGH THE STRUCTURE.
- FABRIC SHALL REMAIN IN PLACE UNTIL TURFED AREAS HAVE DEVELOPED A MINIMUM OF 80% OF COVERAGE.
- COST OF FILTER WRAP SHALL BE INCIDENTAL TO INLET PROTECTION.

INLET PROTECTION - DRAINAGE STRUCTURE FILTER WRAP

DETAILS SHOWN ARE NOT TO SCALE

I:\02\0851\08840\07A0166\DRAMKOS\SHRE\18-SWP-DETAILS.DWG APR 18 2008 10:22AM HAUSM00682

No.	Drawing Issue Description	Date	By

Date
APRIL 18, 2008
Sheet Title

STORM WATER POLLUTION
PREVENTION PLAN DETAILS

07A0166
Project Number
LDH 02/27/08
Layout By Date
LDH 03/07/08
Designed By Date
RMH 03/20/08
Reviewed By Date
LDH | SJM | ---
Drawn By Sheet No.