

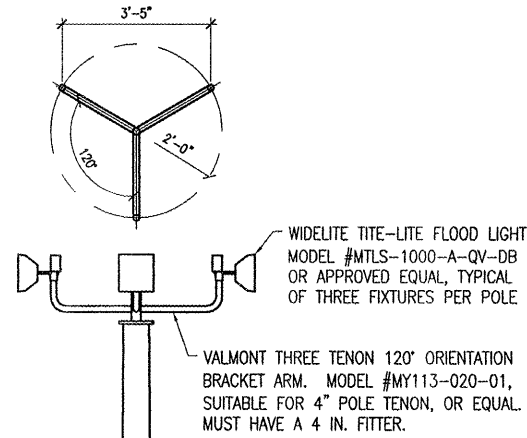
WALL MOUNT NOTES

1. INCLUDE WEATHERPROOF BOX AND ALL MOUNTING HARDWARE FOR PROPER INSTALLATION & SUPPORT OF APRON LIGHT FIXTURE.
2. APRON LIGHT FIXTURE FOR WALL MOUNT APPLICATION SHALL BE THE SAME MANUFACTURER & MODEL NUMBER AS THE POLE MOUNT FIXTURES (WIDELITE TITE-LITE FLOOD LIGHT MODEL MTL5-1000-A-QV-DB, OR APPROVED EQUAL).

WALL MOUNTING BRACKET FOR TYPE A ASSEMBLY - 1 FIXTURE (APRON LIGHT)

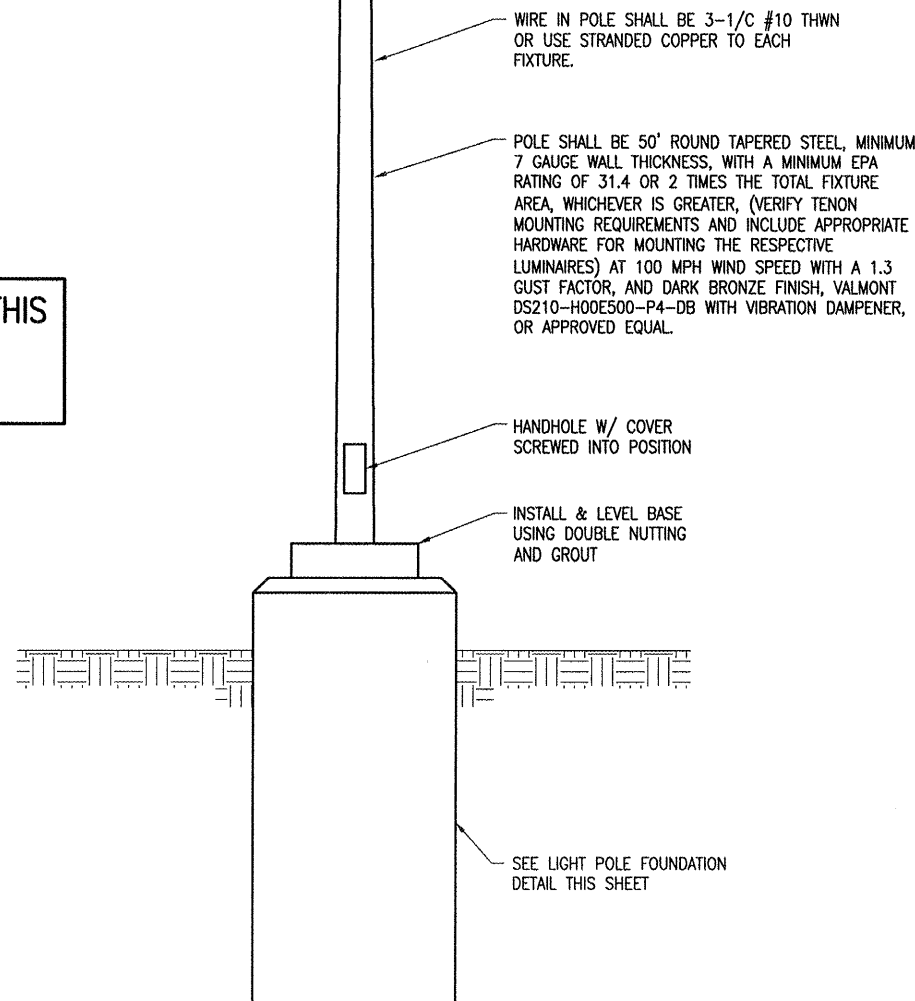
SCALE: NONE

WORK SHOWN ON THIS SHEET IS FOR BID ALTERNATE NO. 1



ANCHOR BOLTS NOTES:

1. ANCHOR SYSTEMS SHALL BE SUPPLIED BY THE POLE MANUFACTURER.
2. REQ'D. ANCHOR BOLT PROJECTION SHALL BE VERIFIED BY CONTRACTOR PRIOR TO PLACING.
3. COORDINATE ANCHOR BOLTS INTO FOUNDATION FOR PROPER ORIENTATION OF LIGHT FIXTURES.

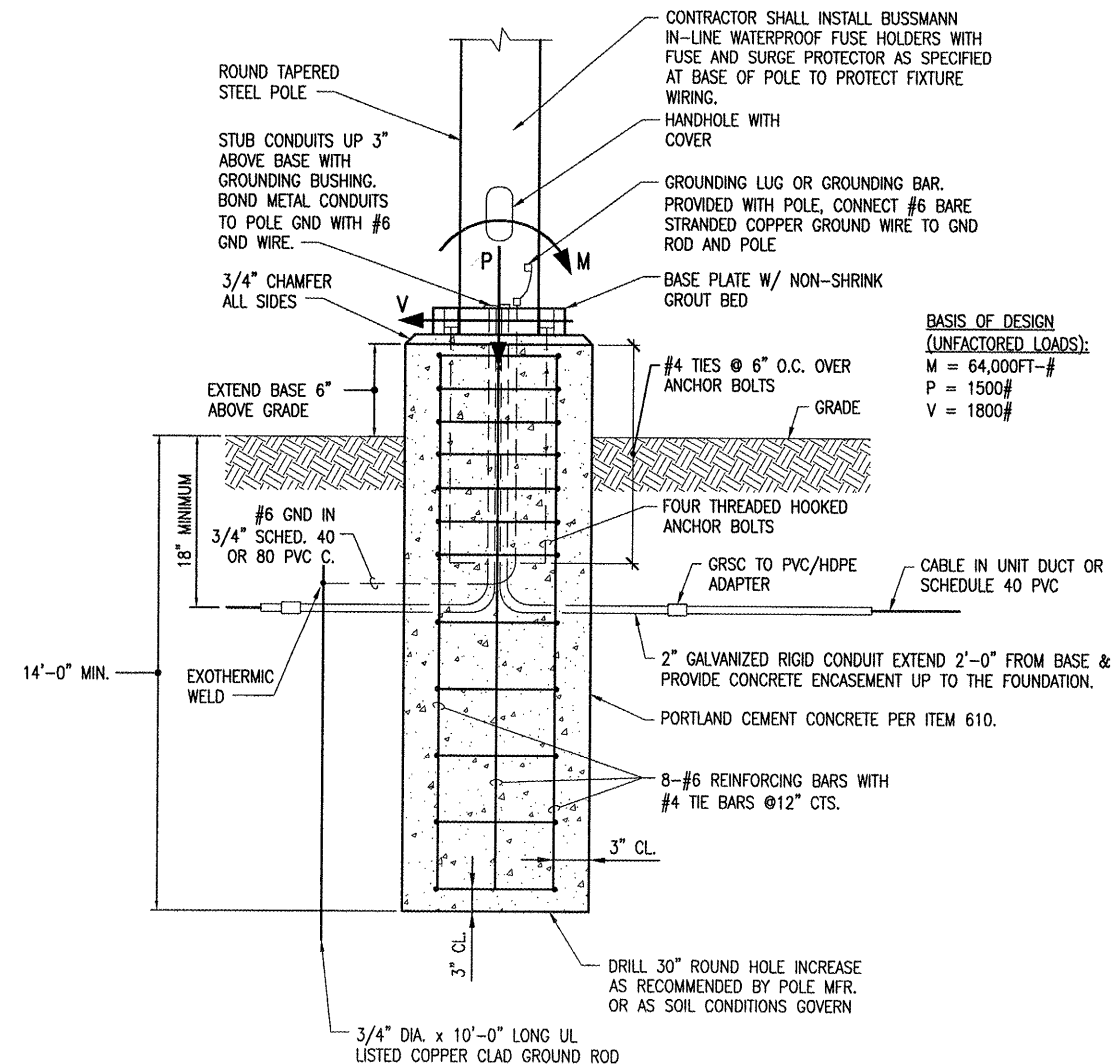


APRON LIGHT POLE W/ TRIPLE FIXTURE DETAIL

SCALE: NONE

LIGHTING NOTES

1. IN ALL AREAS WHERE THERE IS A CONGESTION OF BURIED CABLE OR WHERE THE PROPOSED DUCT CROSSES AN EXISTING CABLE, THE CONTRACTOR WILL BE REQUIRED TO HAND DIG THE PROPOSED DUCT INTO PLACE.
2. THE PROPOSED APRON LIGHTS SHALL BE CONSTRUCTED AT THE LOCATIONS SHOWN ON THE PROPOSED ELECTRICAL PLAN AND IN ACCORDANCE WITH THE SPECIFICATIONS.
3. FOR ALTERNATE FIXTURES TO BE CONSIDERED PROVIDE SCALED PLAN VIEW TYPE POINT BY POINT FOOT CANDLE CALCULATIONS INDICATING THE FOLLOWING VARIABLES:
AVERAGE FOOT CANDLES
MAXIMUM/MINIMUM FOOT CANDLES
AVERAGE/MINIMUM FOOT CANDLES
ALSO PROVIDE FULL WRITTEN SPECIFICATION AND WARRANTY INFORMATION.
4. AIM FIXTURES WITH OWNER & RESIDENT ENGINEER PRESENT TO ACHIEVE BEST LIGHTING LAYOUT.
5. APRON LIGHT POLE WITH 3 FIXTURES WILL BE PAID FOR UNDER ITEM AS106503 - APRON LIGHT POLE W/TRIPLE FIXTURE PER EACH.
6. WALL MOUNT APRON LIGHT WILL BE PAID FOR UNDER ITEM AS106611 TYPE A ASSEMBLY - 1 FIXTURE PER EACH.



LIGHT POLE FOUNDATION DETAIL

SCALE: NONE

DATE	REVISION	BY

MACOMB MUNICIPAL AIRPORT
MACOMB, ILLINOIS

A.I.P. PROJ.: 3-17-0064-B16
I.L. PROJ.: MGB-3798

I.E.I. Project No. 08A0004D_0800 Ename E-502.DWG Scale NONE Date 04-11-08	LAYOUT DRAWN KNL REVIEWED MW DATE 04/10/08 DATE 04/10/08 DATE 04/11/08
--	---



Hanson Professional Services Inc.
1525 South Sixth Street
Springfield, Illinois 62703-2886
Offices Nationwide

CONSTRUCT RAMP EXPANSION
APRON LIGHTING DETAILS

APR 25, 2008 10:35 AM WALLE00723
I:\AIRPORTS\MACOMB\08A0004\DESIGN\CADD\SHEETS\E-502.DWG - Work