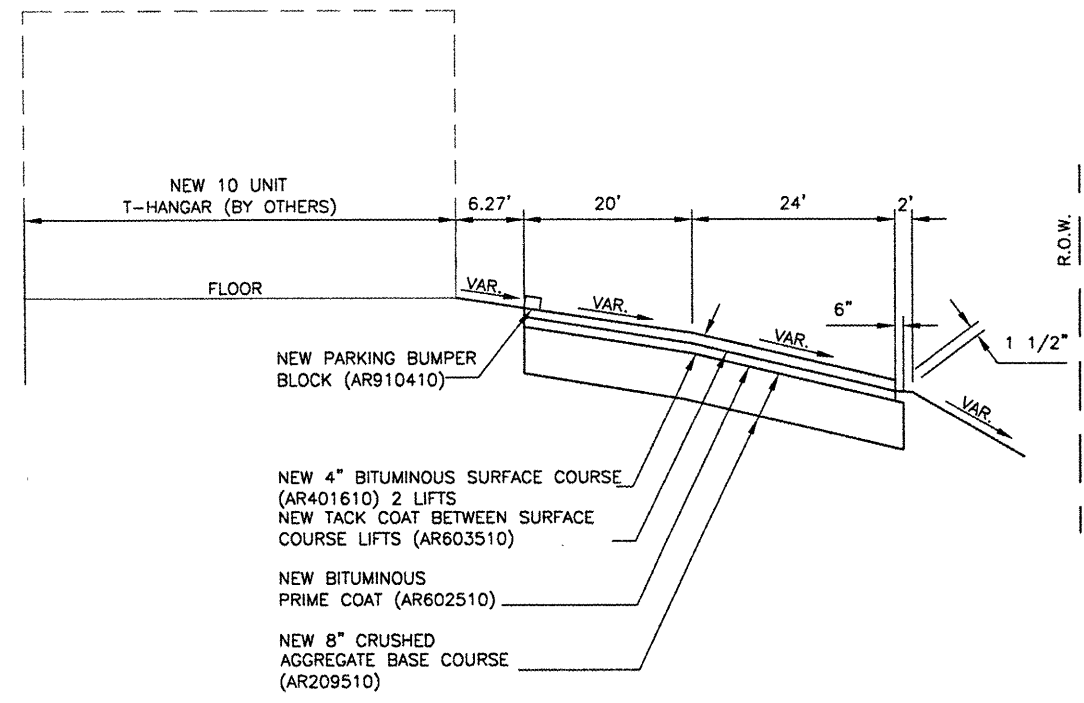
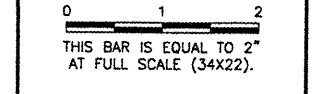
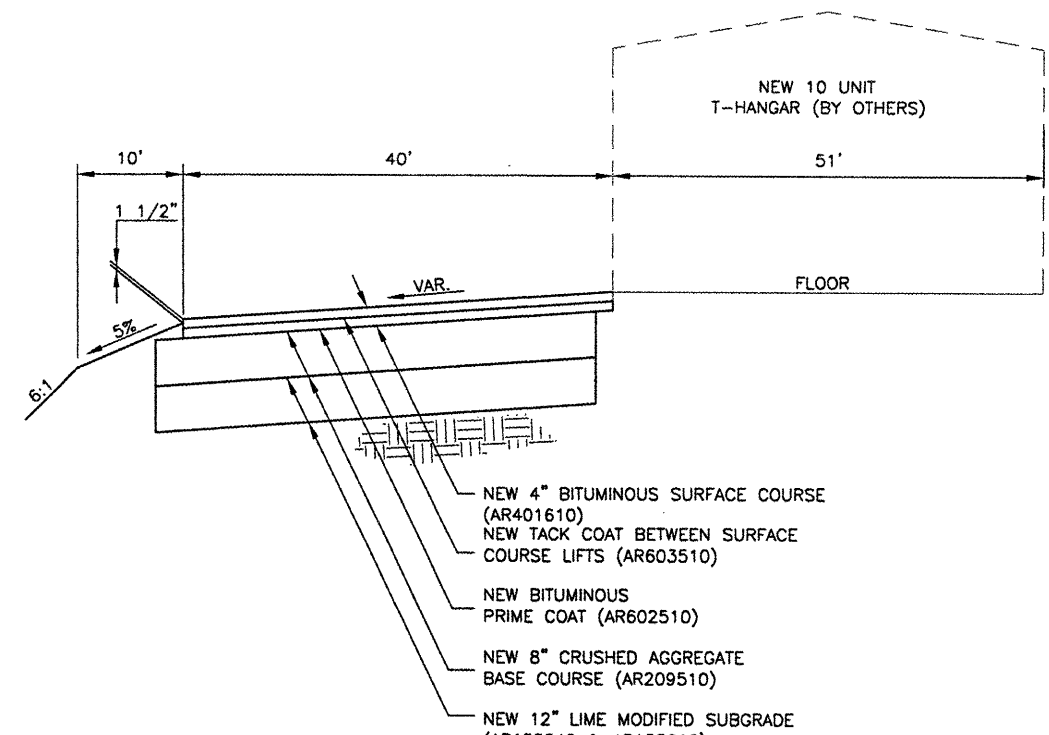


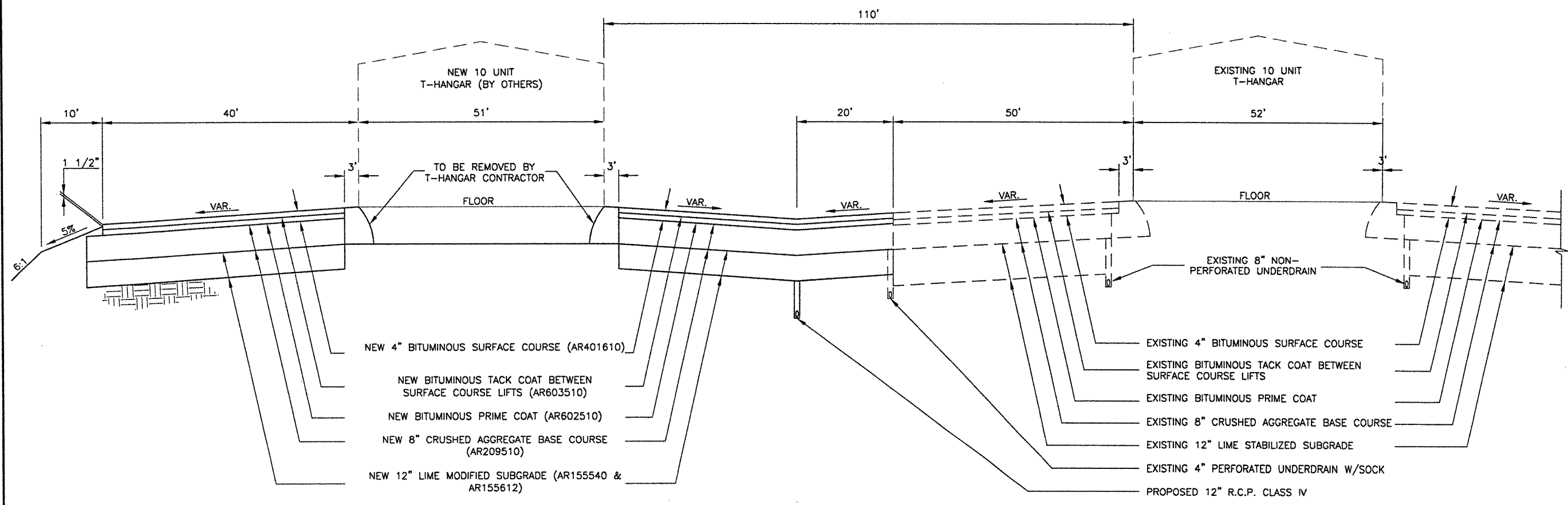
REVISIONS		
NUMBER	BY	DATE



**ROADWAY SECTION B-B**  
N.T.S.



**T-HANGAR AND APRON SECTION C-C**  
N.T.S.



**T-HANGAR AND TAXILANE SECTION A-A**  
N.T.S.

**PINCKNEYVILLE-DUQUOIN AIRPORT**  
**PERRY COUNTY, ILLINOIS**  
**T-HANGAR SITE WORK**  
**TYPICAL SECTIONS**

© Copyright CMT, Inc.  
**CMT**  
 CRAWFORD, MURPHY & TILLY, INC.  
 CONSULTING ENGINEERS  
 License No. 784-00063

DESIGN BY:	TJH
DRAWN BY:	CMT
CHECKED BY:	JEF
APPROVED BY:	JEF
DATE:	04/18/2008
JOB No:	07062-03-00
IL PROJECT NO. PJY-3373	
A.I.P. PROJECT NO. 3-17-0037-B6	
SHEET 07 OF 17 SHEETS	