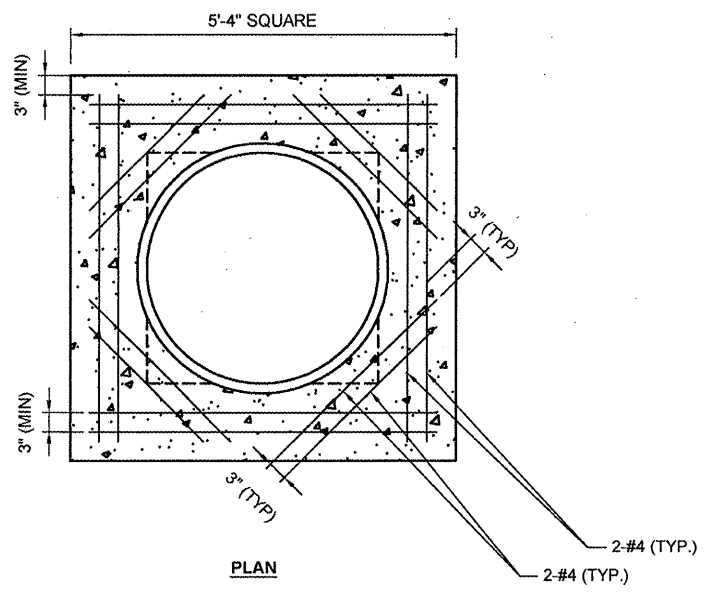
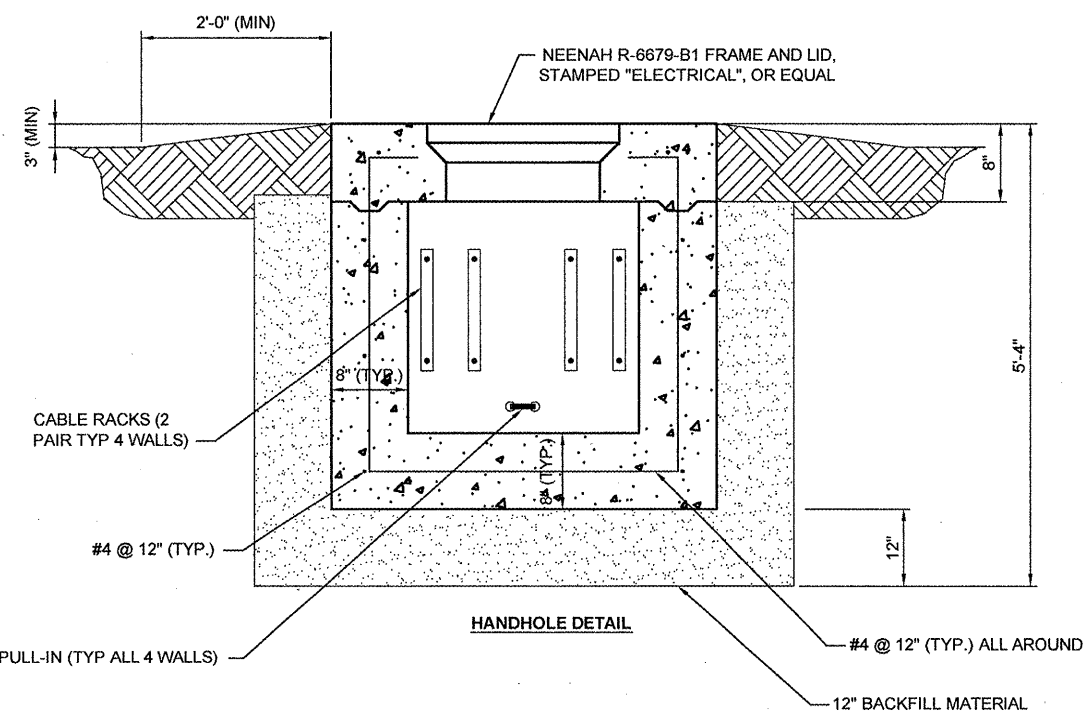


Scale For Microlining
Inches
Millimeters

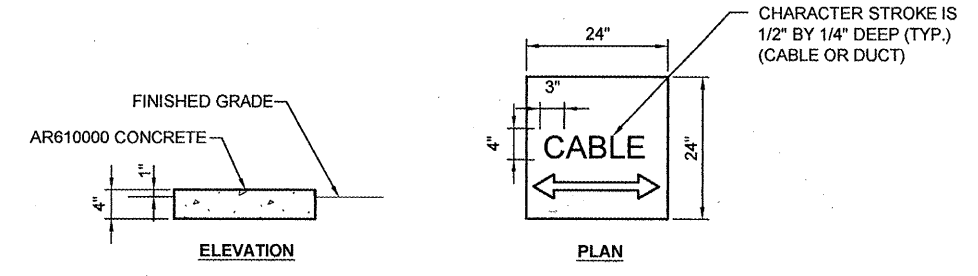


PLAN



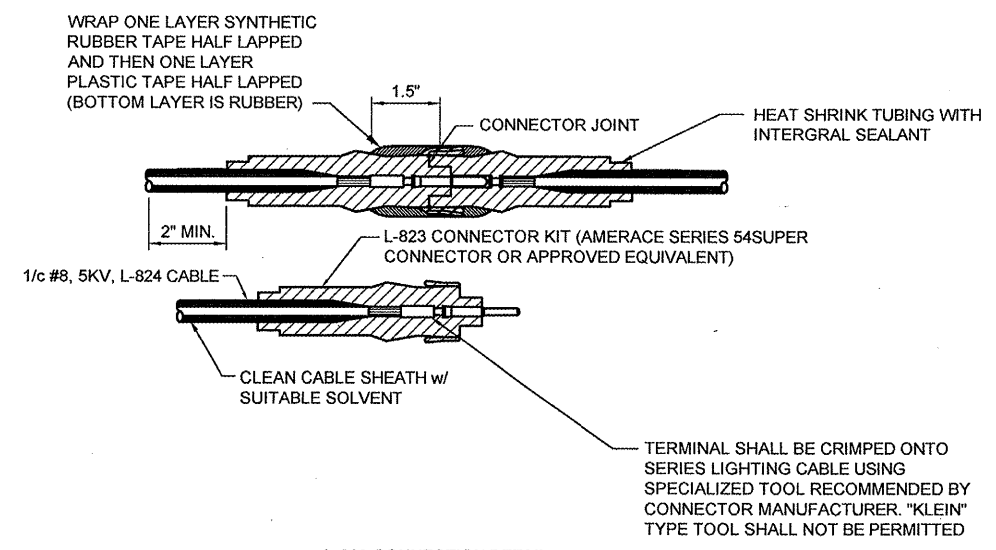
HANDHOLE DETAIL

DETAIL 1
NOT TO SCALE



CABLE OR DUCT MARKER DETAIL

DETAIL 2
NOT TO SCALE

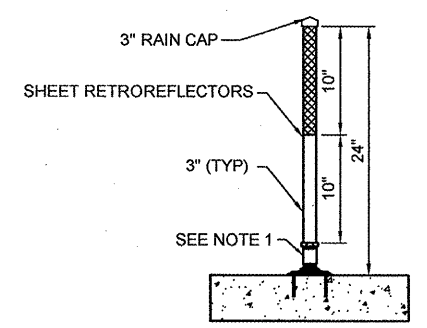


L-823 CONNECTION DETAIL

- NOTES:
- CONTRACTOR SHALL PROVIDE CABLE IDENTIFICATION MARKERS ATTACHED TO BOTH SIDES OF EACH CABLE CONNECTION. CABLE IDENTIFICATION MARKERS SHALL BE 3M SCOTCH HEAT-BONDING #SCS-HB21 OR EQUIVALENT.
 - ENTIRE CONNECTOR SHALL BE ENCASED IN HEAT SHRINK TUBING HAVING INTEGRAL GLUE SEALANT AT ENDS ONLY.

TYPICAL SPLICE AND CONNECTOR DETAIL

DETAIL 3
NOT TO SCALE



DETAIL 4
NOT TO SCALE

NOTE:
2\"/>

no.	date	by	ckd	description
0	04/25/08	BJQ	MAR	ISSUED FOR BID



date	02/13/08	detailed	L. TUCKER
designed	B. QUINLAN	checked	A. RAHMAN

RUNWAY 9/27 LIGHTING, NAVAIDS AND SIGNAGE; RUNWAY 18/36 WIND CONES AND SIGNAGE

ELECTRICAL DETAILS 7

project	contract
drawing	rev.
E207	0
sheet 21 of 21 sheets	file 47463E207.dwg