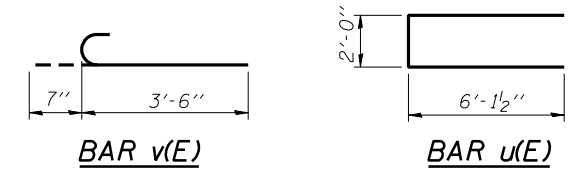
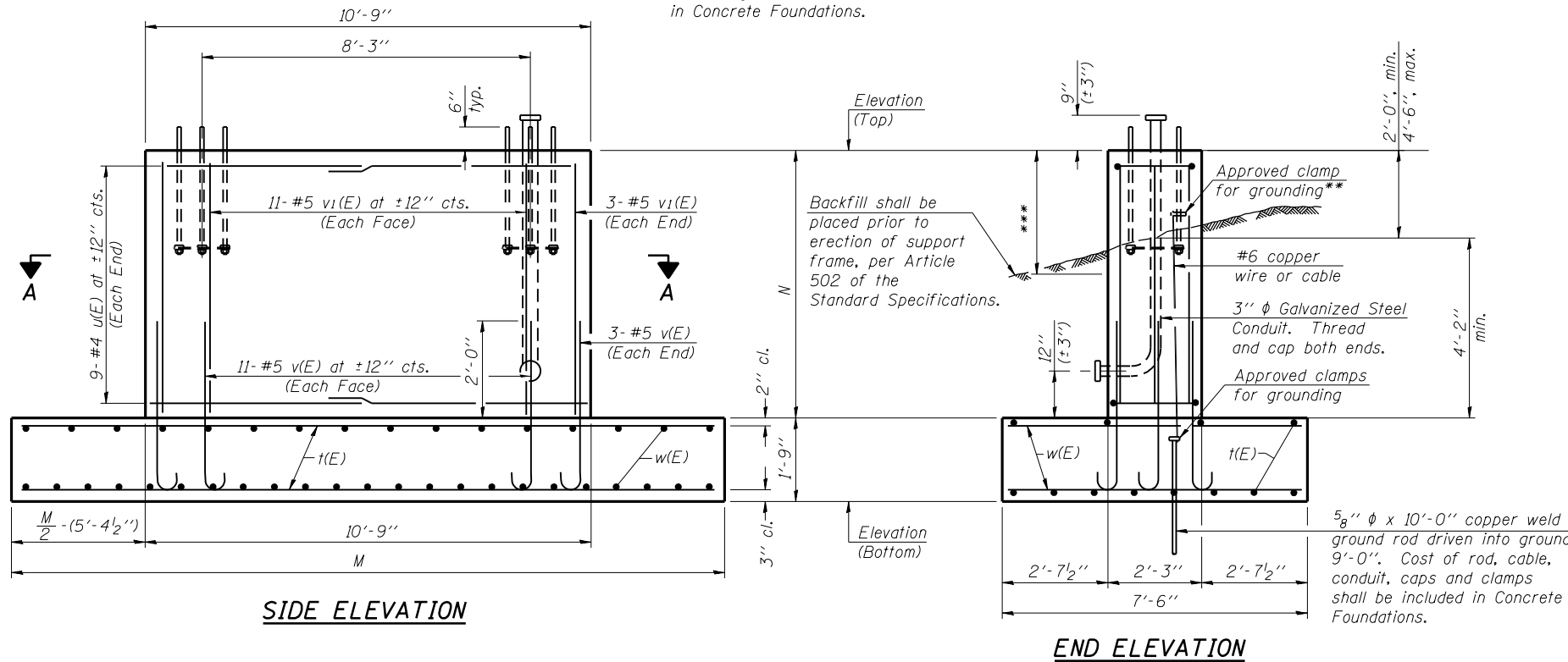


For anchor rod size and placement, see Support Frame Detail Sheet.

** Anchor rod shall be ground or filed to bright metal at clamp and cable connection location.

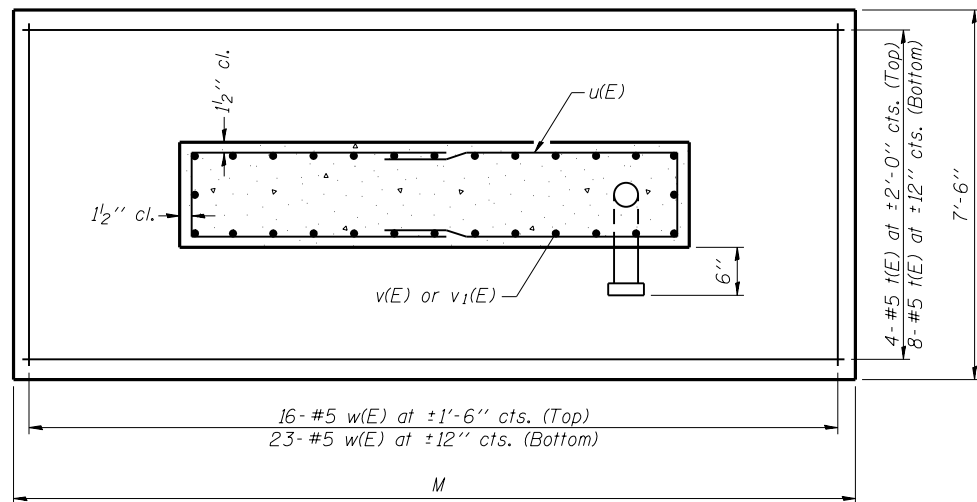
*** A normal surface finish followed by a Concrete Sealer application will be required on concrete surfaces above the lowest elevation 6" below finished ground line. Cost included in Concrete Foundations.



BAR LIST - EACH FOUNDATION

Bar	Number	Size	Length	Shape
t(E)	12	#5	*	—
u(E)	18	#4	14'-3"	U
v(E)	28	#5	4'-1"	C
v ₁ (E)	28	#5	*	—
w(E)	39	#5	7'-3"	—

*Length of t(E) bar = (Dim. M) - 6"
v₁(E) bar = (Dim. N) - 3"



SECTION A-A

Structure Number	Station	Left Foundation				Right Foundation				Class SI Concrete (Cu. Yds.)	Rock Excavation for Structures (Cu. Yds.)
		Elevation Top	Elevation Bottom	N	M	Elevation Top	Elevation Bottom	N	M		
SN-031	2S1011039R138.8	838.49	829.57	7'-2"	24'-6"	837.08	828.16	7'-2"	24'-6"	36.7	92.3
SN-032	2S1011039R139.4	811.85	802.43	7'-8"	25'-0"	810.00	800.58	7'-8"	25'-0"	38.1	
SN-034	2S101U020R021.5	838.64	830.22	6'-8"	24'-6"	839.20	830.78	6'-8"	24'-6"	35.8	
SN-039	2S0711039L118.7	808.21	798.29	8'-2"	25'-0"	807.50	797.58	8'-2"	25'-0"	39.0	

Note:
The foundation dimensions shown are based on the presence of mostly cohesive soils with an average Unconfined Compressive Strength (Qu) of at least 1.0 tsf, which must be determined by previous soil investigations at the jobsite. When other conditions are indicated, the boring data will be included in the plans and the foundation dimensions shown will be the result of site specific designs.
During construction, if footing length or width or wall height change by more than 12", or if reinforcement is changed, "as-built" plans shall be prepared and submitted to the District Bureau of Operations for future reference.

DETAILS FOR 10" Ø SUPPORT FRAME

N:\PROJECTS\20020050\0020050\01\Design\Structure\1\CAD\SN-03-CN_-S021.dgn

OS-F3

8-21-13



USER NAME = jettanasso	DESIGNED - NG	REVISED -
	CHECKED - BWS	REVISED -
PLOT SCALE = 0:2.0000' = 1" / 10'	DRAWN - RD	REVISED -
PLOT DATE = 1/31/2014	CHECKED - BWS	REVISED -

**STATE OF ILLINOIS
DEPARTMENT OF TRANSPORTATION**

**OVERHEAD SIGN STRUCTURES
SPREAD FOOTING DETAILS**

SHEET NO. S-21 OF S-26 SHEETS

F.A.I. RTE.	SECTION	COUNTY	TOTAL SHEETS	SHEET NO.
VAR.	*	**	45	40
D-2 OVD SIN STR REPL 14-27			CONTRACT NO. 46288	
ILLINOIS FED. AID PROJECT				

WINNEBAGO & OGLE