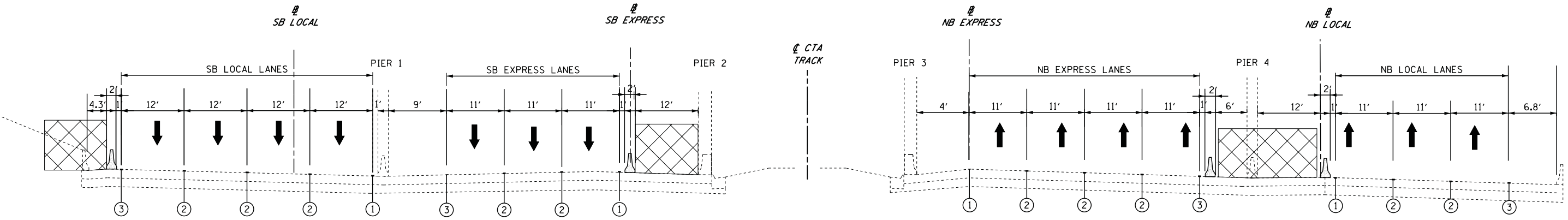
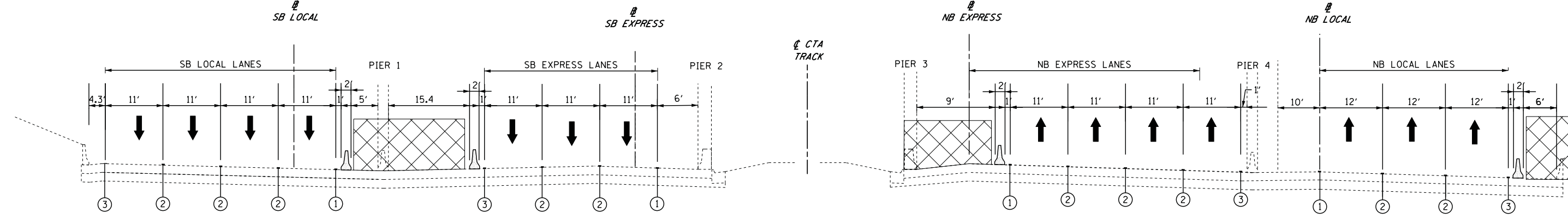


**EXISTING TYPICAL SECTION
 I 9094 DAN RYAN EXPRESSWAY
 AT 63rd ST BRIDGE**





**SUGGESTED MAINTENANCE OF TRAFFIC - STAGE A
 I 9094 DAN RYAN EXPRESSWAY AT 63rd ST BRIDGE**



**SUGGESTED MAINTENANCE OF TRAFFIC - STAGE B
 I 9094 DAN RYAN EXPRESSWAY AT 63rd ST BRIDGE**

NOTE:
 SEE SHEETS 22 AND 23 FOR PAVEMENT MARKING TYPES.

LEGEND

-  WORK ZONE
-  TEMPORARY CONCRETE BARRIER
- ① TEMPORARY PAVEMENT MARKING LINE (4" YELLOW EDGE LINE- LEFT)
- ② TEMPORARY PAVEMENT MARKING LINE (30'-10" SKIP DASH, 5" WHITE)
- ③ TEMPORARY PAVEMENT MARKING LINE (4" WHITE EDGE LINE- RIGHT)

FILE NAME = c:\pwwork\dlz\ccooney\dms19784\63MOT.TYPSECI.dgn	USER NAME = *USER*	DESIGNED - KMM	REVISED -	STATE OF ILLINOIS DEPARTMENT OF TRANSPORTATION	63rd STREET BRIDGE REPLACEMENT SUGGESTED MAINTENANCE OF TRAFFIC DAN RYAN EXPWY				F.A.I. RTE. 94	SECTION 1920-B	COUNTY COOK	TOTAL SHEETS 142	SHEET NO. 24
PLOT SCALE = *SCALE*	CHECKED - JDH	REVISIED -	REVISIED -		SCALE: N.T.S.	SHEET NO.	OF SHEETS	STA.	TO STA.	CONTRACT NO. 60J15			
PLOT DATE = 3/27/2014	DATE - 03-31-2014	REVISIED -	REVISIED -		ILLINOIS FED. AID PROJECT								