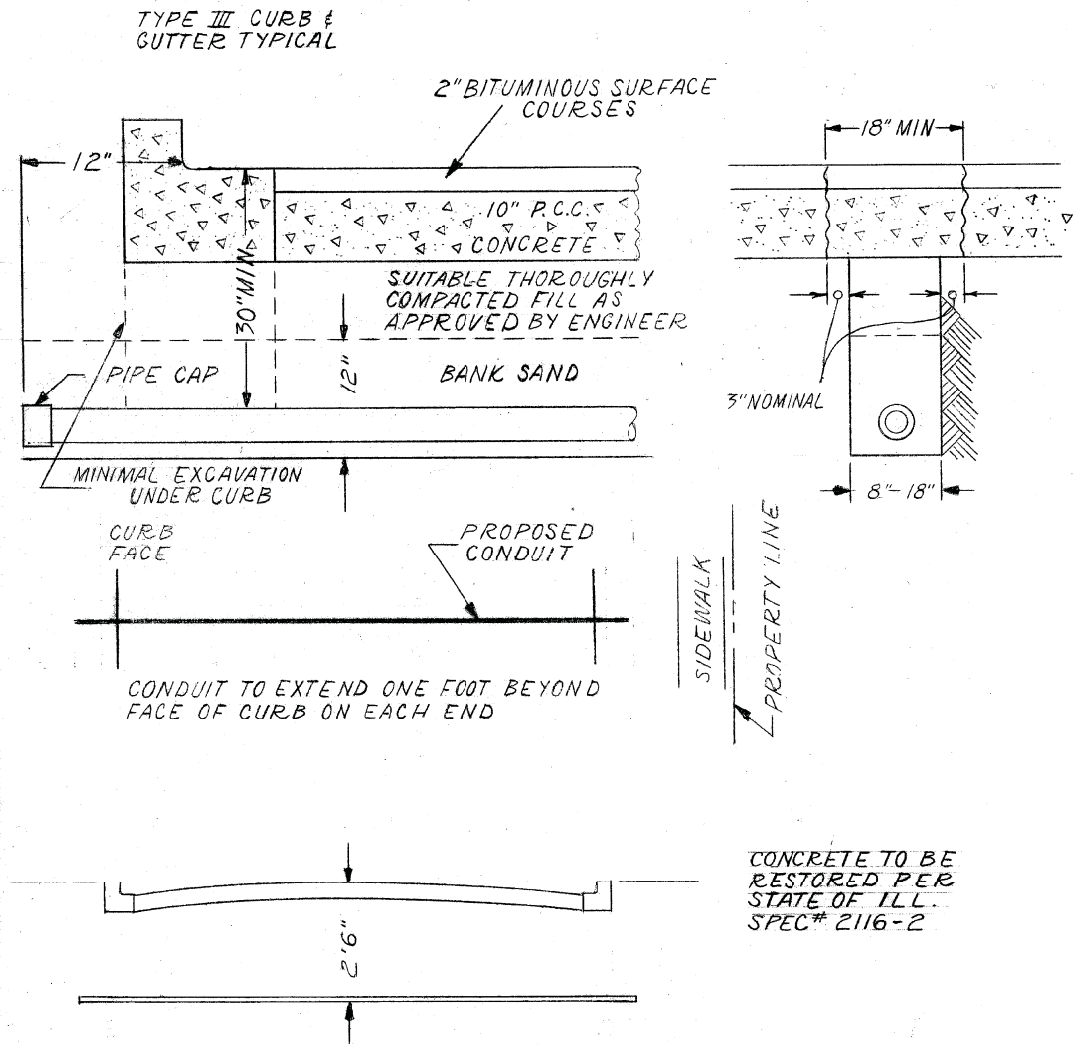
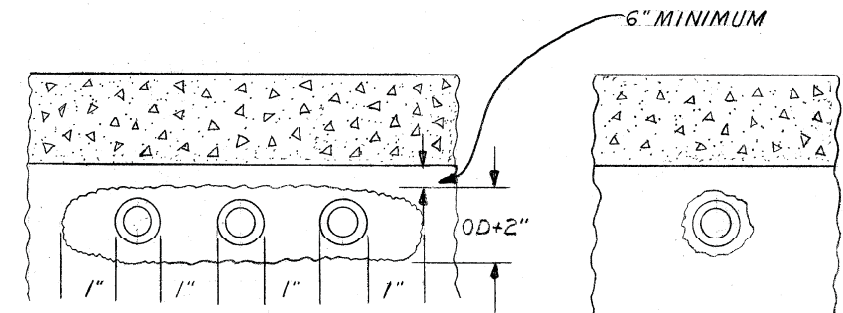
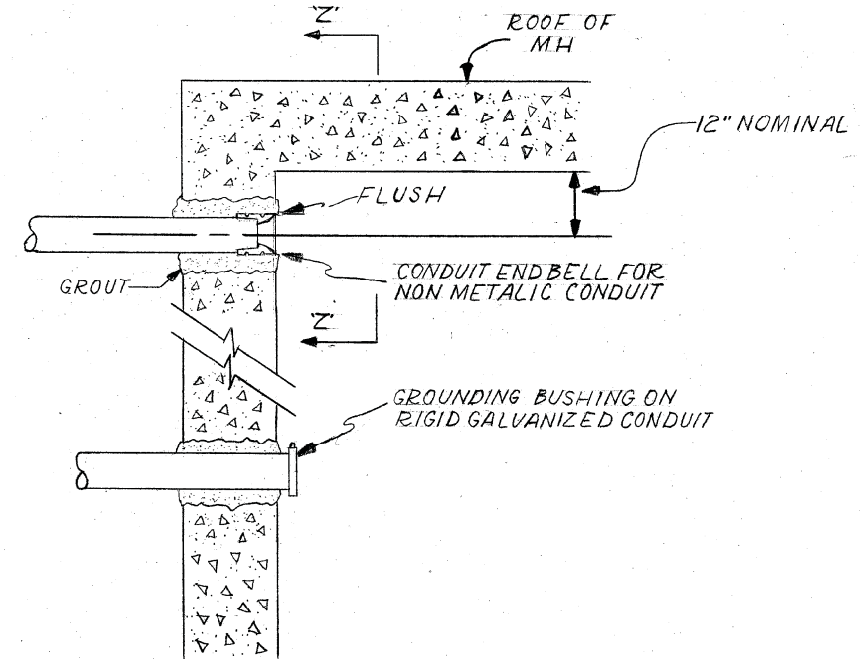


CONDUIT INSTALLATION UNDER PAVED STREET



INSTALLATION METHOD OF INSTALLING CONDUIT UNDER PAVED ROADWAY		
CITY OF CHICAGO DEPT. OF STREETS AND SANITATION BUREAU OF ELECTRICITY DIVISION OF ELECTRICAL ENGINEERING		
DRAWN A.M. JOHNSON	CHECKED R. SYCKOWSKI	ENGINEER R.L. MARTIN
 ENGINEER OF ELECTRICITY		DWG. NO. <b>813</b>
 DEPUTY COMM.		DATE 3-13-81
SIZE 8 1/2" X 14"	SCALE N.T.S.	

CONDUIT INSTALLATION THROUGH EXISTING  
MANHOLE OR HANDHOLE WALL



OPENING THROUGH WALL TO BE KEPT TO MINIMUM SIZE TO ADMIT CONDUIT AND SUFFICIENT GROUT TO ASSURE SEALING WALL.

INSTALLATION METHOD OF INSTALLING CONDUIT THRU MANHOLE WALL		
CITY OF CHICAGO DEPT. OF STREETS AND SANITATION BUREAU OF ELECTRICITY DIVISION OF ELECTRICAL ENGINEERING		
DRAWN A.M. JOHNSON	CHECKED R. SYCKOWSKI	ENGINEER R.L. MARTIN
 ENGINEER OF ELECTRICITY		DWG. NO. <b>814</b>
 DEPUTY COMM.		DATE 3-13-81
SIZE 8 1/2" X 14"	SCALE N.T.S.	

FILE NAME =	USER NAME = *USERS*	DESIGNED - KMM	REVISED -
ct:\pw\work\d12\ccooney\dms19784\630DETAIL2.dgn		DRAWN - LV	REVISED -
	PLOT SCALE = *SCALE*	CHECKED - JDH	REVISED -
	PLOT DATE = 3/27/2014	DATE - 03-31-2014	REVISED -

STATE OF ILLINOIS  
DEPARTMENT OF TRANSPORTATION

63RD STREET OVER DAN RYAN EXPRESSWAY  
CDOT STANDARD DETAILS

SCALE: N.T.S. SHEET NO. OF SHEETS STA. TO STA.

F.A.I. RTE.	SECTION	COUNTY	TOTAL SHEETS	SHEET NO.
94	1920-B	COOK	142	41
CONTRACT NO. 60J15				
ILLINOIS FED. AID PROJECT				