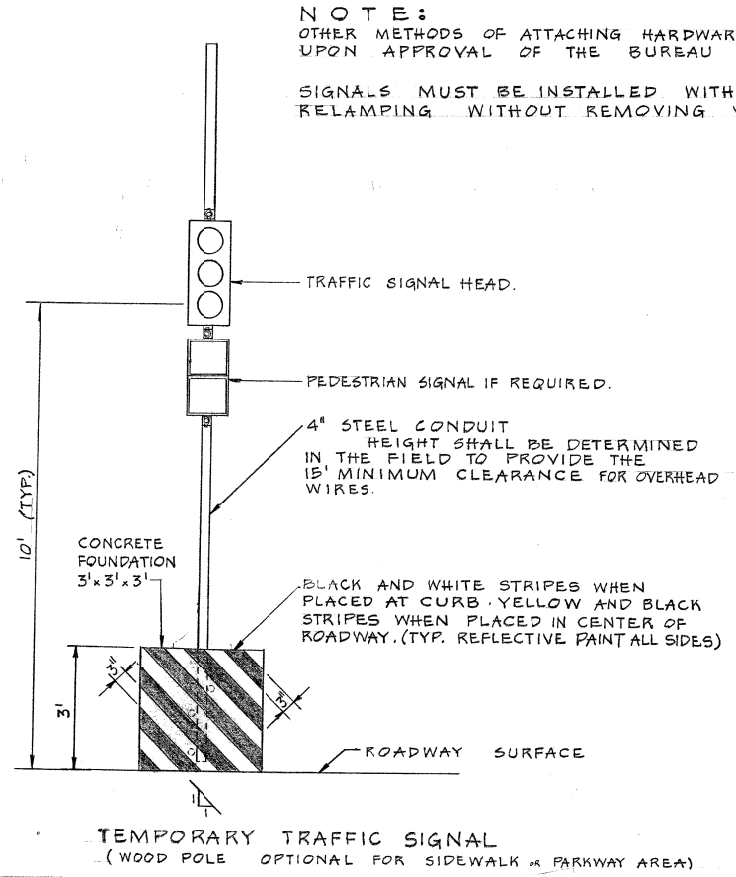
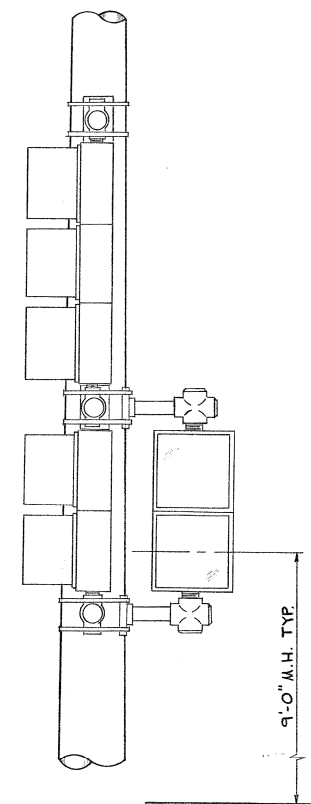
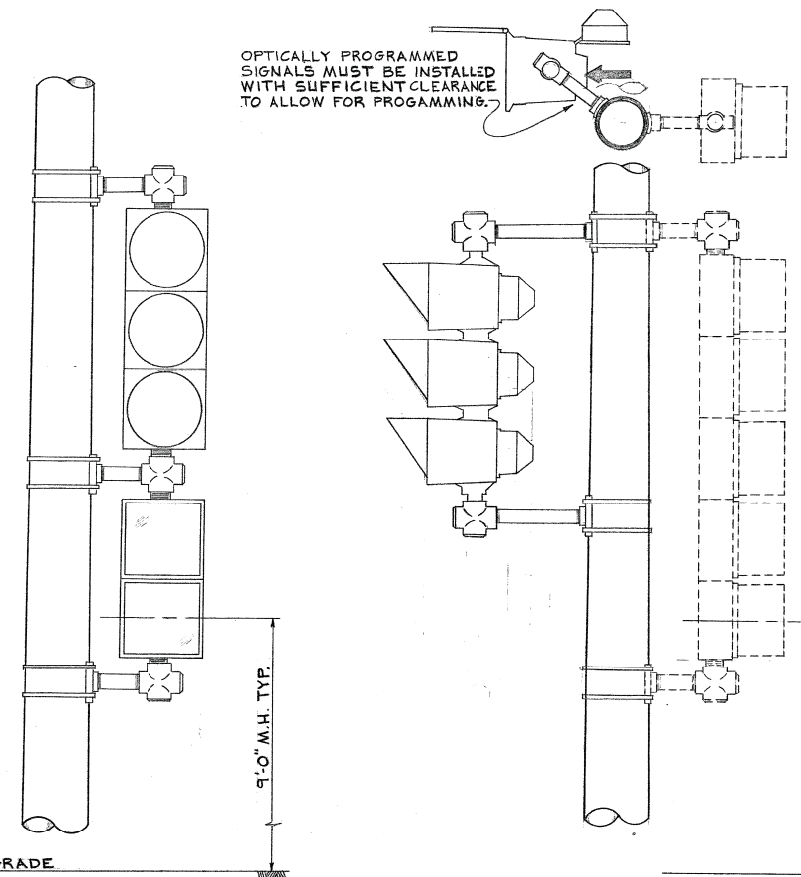


APPROVED AS WORKING PLAN	BY
REVISIONS OF WORKING PLAN	

FEDERAL AID ROUTE NO.	SECTION	COUNTY	TOTAL SHEETS	SHEET NO.
FHWA REG. NO.	ILLINOIS PROJECT			



**NOTE:**  
 OTHER METHODS OF ATTACHING HARDWARE FOR SIGNAL HEADS MAY BE USED UPON APPROVAL OF THE BUREAU OF ELECTRICITY.  
 SIGNALS MUST BE INSTALLED WITH ADEQUATE CLEARANCE FOR RELAMPING WITHOUT REMOVING VISOR OR ROTATING SIGNAL.

A 3-5-93 ADDED TEMP SIGNAL DETAIL

DATE	REVISION
WORK ORDER NO.	DATE
COST ALLOCATION ACCOUNT	
APPROPRIATION ACCOUNT	MATERIAL
	LABOR

**TYPICAL TRAFFIC SIGNAL MOUNTING DETAILS**

**CITY OF CHICAGO**  
 DEPT. OF STREETS AND SANITATION  
 BUREAU OF ELECTRICITY  
 DIVISION OF ELECTRICAL ENGINEERING

DRAFTSMAN: W. TROMPKA	CHIEF DRAFTSMAN: R. J. S.	ENGINEER: M. DeBARTOLO
SUPERVISING ENGINEER:	ELECT. DESIGN ENGR.:	DWG. NO.:
ENGINEER OF ELECTRICITY:		835
SEN. SUPT. OF ELECTRICITY:		
DEPUTY COMMISSIONER:		

SIZE: 22 | 36 SCALE: NONE DATE: 12-10-84

FILE NAME =	USER NAME = #USER#	DESIGNED - KMM	REVISED -
ct:\pw\work\dlz\ccooney\dms19784\630DETAIL7.dgn		DRAWN - LV	REVISED -
PLOT SCALE = #SCALE#		CHECKED - JDH	REVISED -
PLOT DATE = 3/27/2014		DATE - 03-31-2014	REVISED -

**STATE OF ILLINOIS**  
**DEPARTMENT OF TRANSPORTATION**

**63RD STREET OVER DAN RYAN EXPRESSWAY**  
**CDOT STANDARD DETAILS**  
 SCALE: N.T.S. SHEET NO. OF SHEETS STA. TO STA.

F.A.I. RTE.	SECTION	COUNTY	TOTAL SHEETS	SHEET NO.
94	1920-B	COOK	142	46
				CONTRACT NO. 60J15
ILLINOIS FED. AID PROJECT				