

**NORTH EDGE OF APPROACH**

Location	Station	Offset	Theoretical Grade Elevations
W. End E. Appr. Slab	23+28.41	-40.50	600.84
A3	23+38.41	-40.50	600.75
A4	23+48.41	-40.50	600.69
E. End E. Appr. Slab	23+58.41	-40.50	600.66

**NORTH GUTTER LINE**

Location	Station	Offset	Theoretical Grade Elevations
W. End E. Appr. Slab	23+28.41	-30.50	600.73
A3	23+38.41	-30.50	600.64
A4	23+48.41	-30.50	600.58
E. End E. Appr. Slab	23+58.41	-30.50	600.55

**STAGE CONST. LINE**

Location	Station	Offset	Theoretical Grade Elevations
W. End E. Appr. Slab	23+28.41	-25.63	600.80
A3	23+38.41	-25.63	600.72
A4	23+48.41	-25.63	600.66
E. End E. Appr. Slab	23+58.41	-25.63	600.62

**CL 63RD STREET & P.G.**

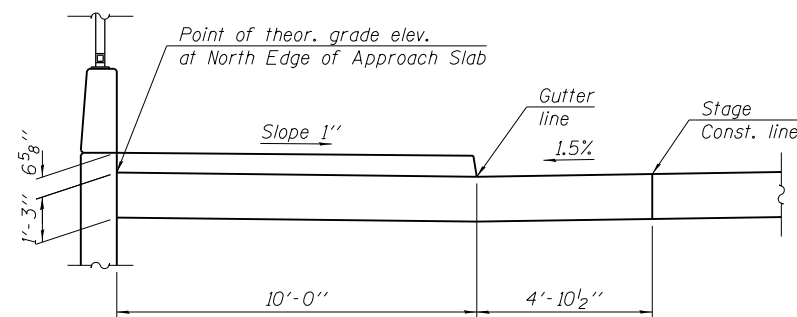
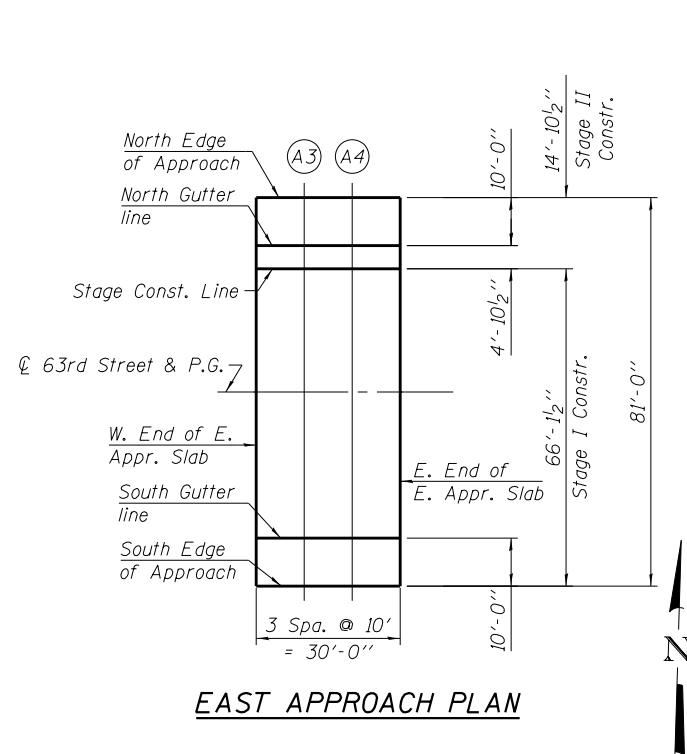
Location	Station	Offset	Theoretical Grade Elevations
W. End E. Appr. Slab	23+28.41	0.00	601.19
A3	23+38.41	0.00	601.10
A4	23+48.41	0.00	601.04
E. End E. Appr. Slab	23+58.41	0.00	601.00

**SOUTH GUTTER LINE**

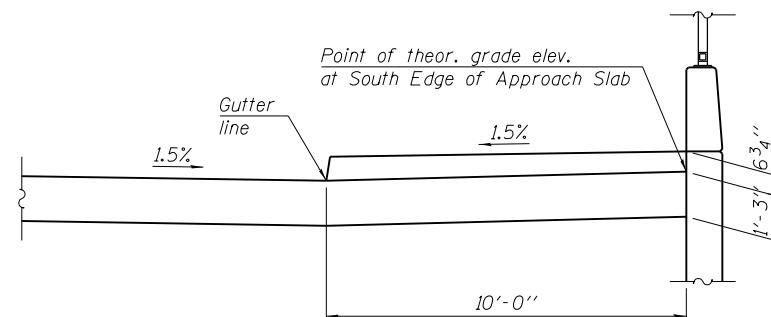
Location	Station	Offset	Theoretical Grade Elevations
W. End E. Appr. Slab	23+28.41	30.50	600.73
A3	23+38.41	30.50	600.64
A4	23+48.41	30.50	600.58
E. End E. Appr. Slab	23+58.41	30.50	600.55

**SOUTH EDGE OF APPROACH**

Location	Station	Offset	Theoretical Grade Elevations
W. End E. Appr. Slab	23+28.41	40.50	600.98
A3	23+38.41	40.50	600.89
A4	23+48.41	40.50	600.83
E. End E. Appr. Slab	23+58.41	40.50	600.80



**SECTION THRU NORTH SIDEWALK**  
(Looking East)



**SECTION THRU SOUTH SIDEWALK**  
(Looking East)

H:\projects\2011\022\CAD\Structural\Drawings\06-1149-Final\00\160105-s14-toe.dgn  
 3/27/2014 4:55:19 PM

USER NAME =	DESIGNED - J.Z.	REVISED -
PLOT SCALE =	CHECKED - J.A.Z.	REVISED -
PLOT DATE =	DRAWN - E.E.J.	REVISED -
	DATE - 3/31/2014	REVISED -

F.A.I. RTE.	SECTION	COUNTY	TOTAL SHEETS	SHEET NO.
94	1920-B	COOK	142	78
CONTRACT NO. 60J15				
ILLINOIS FED. AID PROJECT				