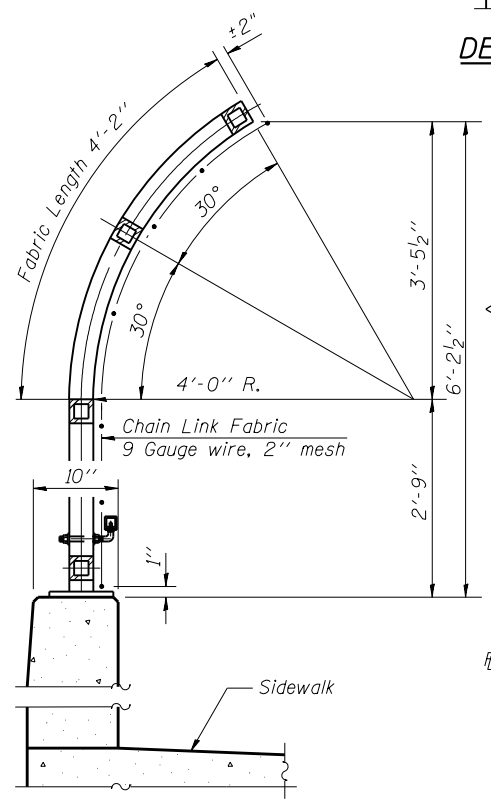
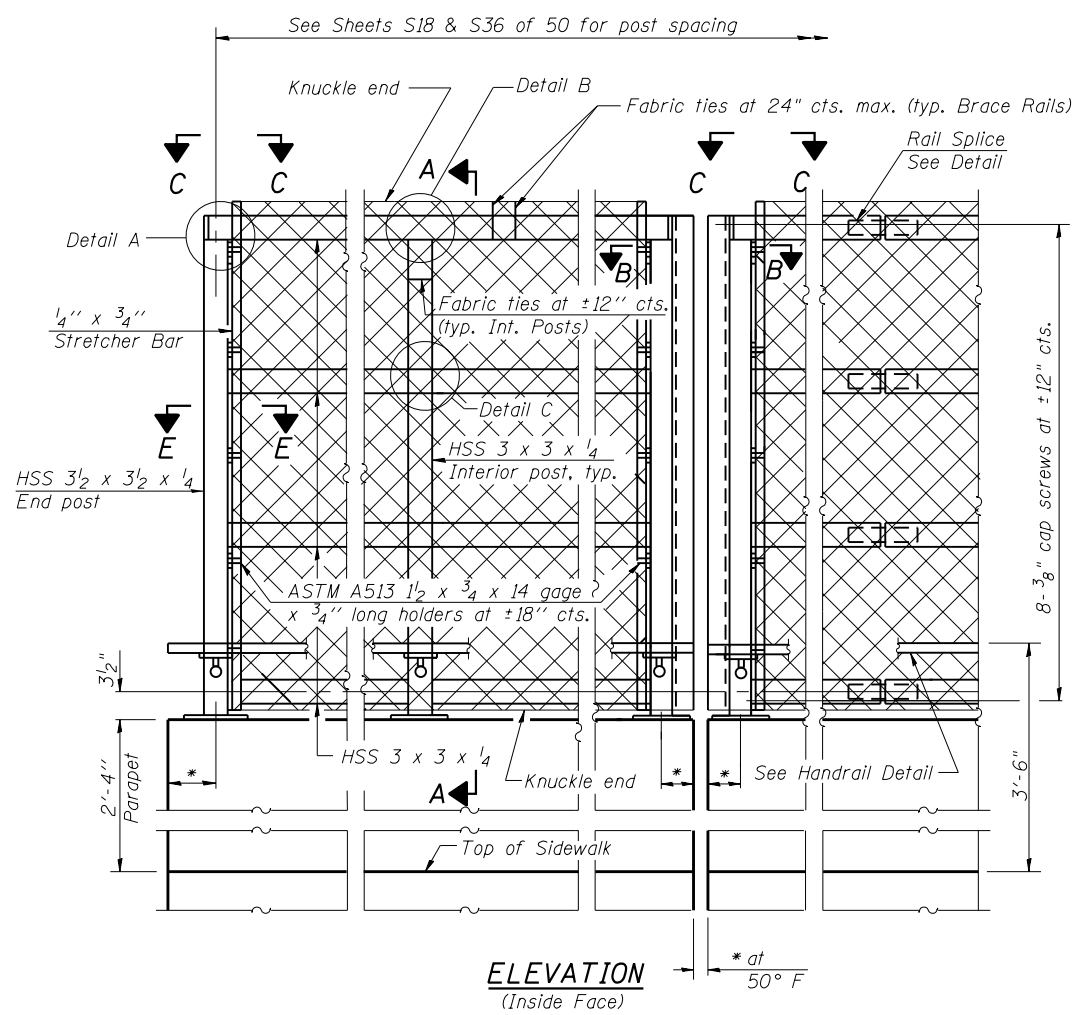


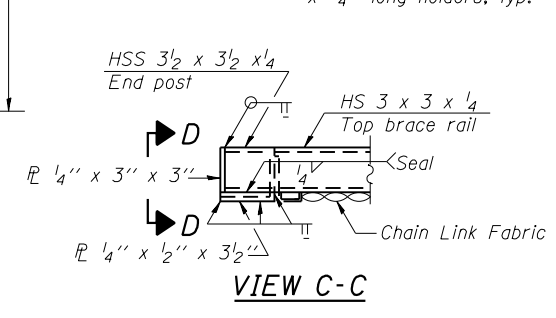
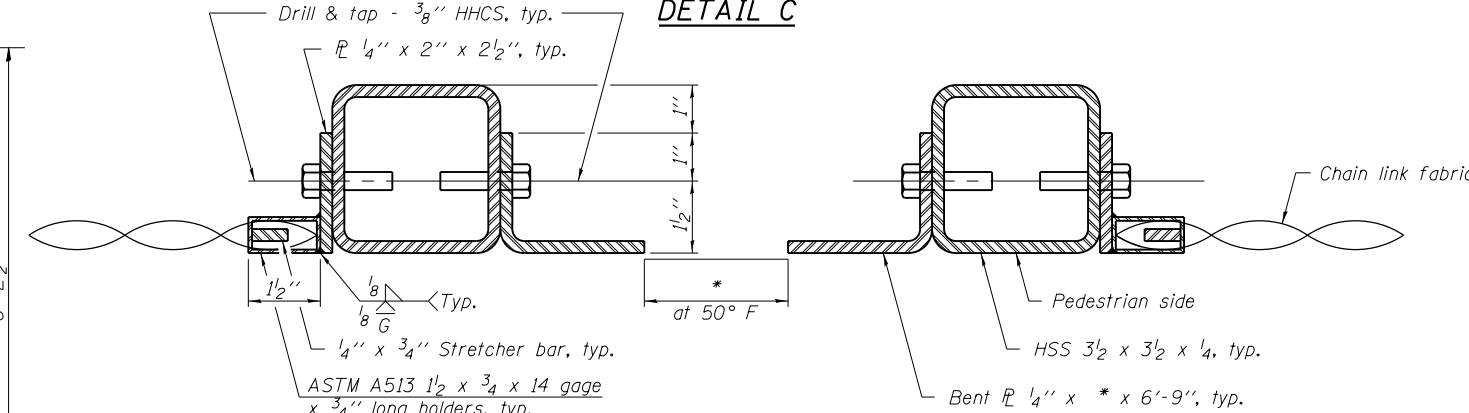
All steel rail elements shall be galvanized according to Article 509.05 of the Standard Specifications.



DETAIL A

DETAIL B

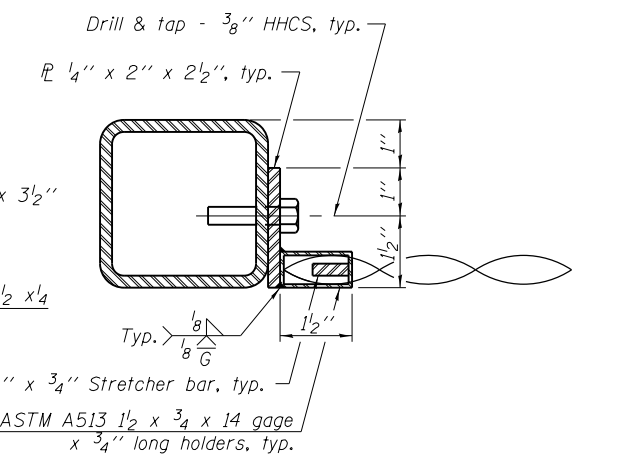
DETAIL C



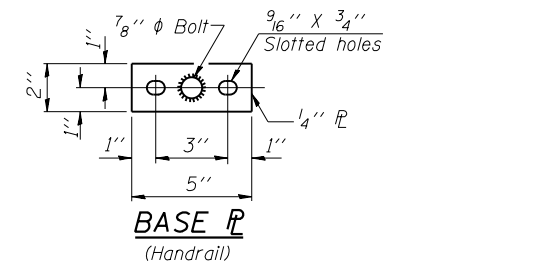
VIEW C-C

VIEW D-D

SECTION B-B (At Expansion Joint)

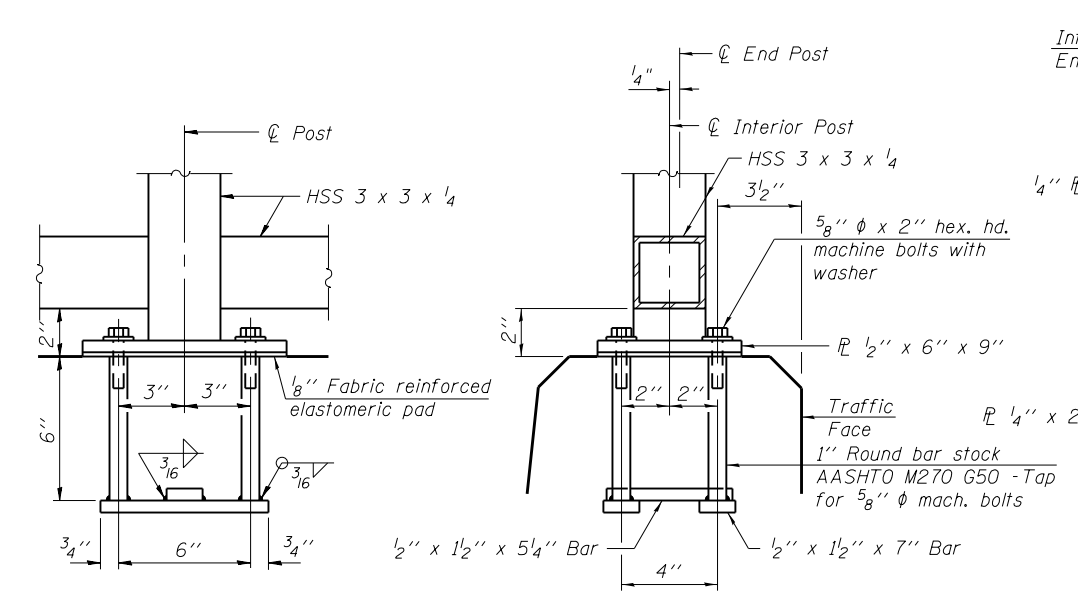


SECTION E-E



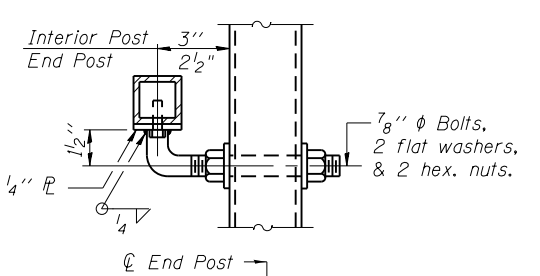
BASE P (Handrail)

BASE P

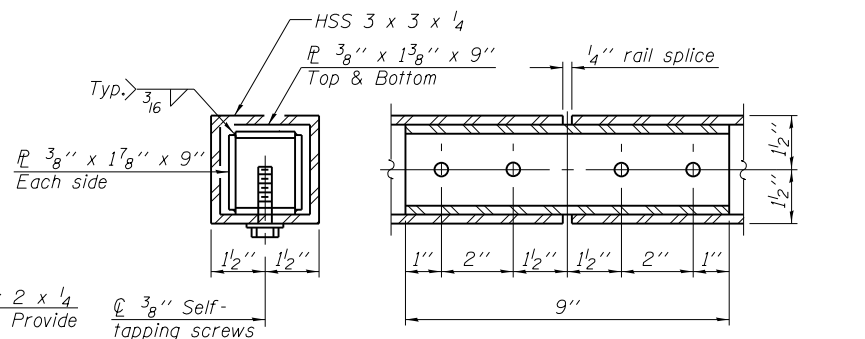


ANCHOR BOLT DETAILS

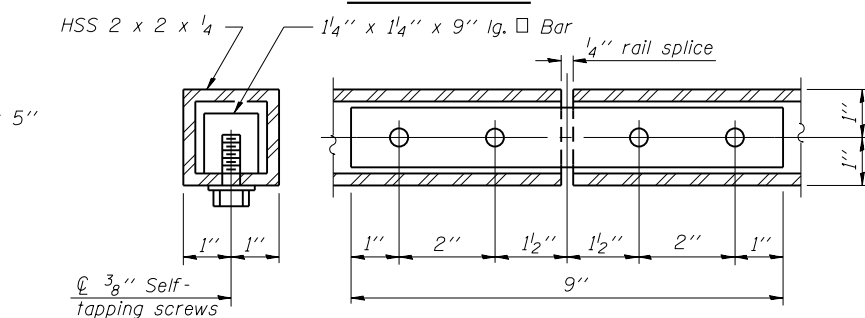
In lieu of the cast-in-place anchor device shown, the Contractor has the option of drilling and setting 5/8" diameter anchor rods according to Article 509.06 of the Standard Specifications. Embedment shall be according to the manufacturer's specifications.



HANDRAIL DETAIL



RAIL SPLICE



HANDRAIL SPLICE

BILL OF MATERIAL

Item	Unit	Quantity
Bridge Fence Railing	Foot	755

R-32

7-1-10

*Variable - See Plans (10'-0" Maximum Post Spacing)

GRAEF
8501 W. Higgins Road, Suite 280
Chicago, Illinois 60631; (773) 399-0112

USER NAME =	DESIGNED -	REVISIONS -
	J.Z.	
CHECKED -	J.A.Z.	
PLOT SCALE =	DRAWN -	
	E.E.J.	
PLOT DATE =	DATE -	
	3/31/2014	

STATE OF ILLINOIS
DEPARTMENT OF TRANSPORTATION

BRIDGE FENCE RAILING, PARAPET MOUNTED
STRUCTURE NO. 016-1149

SHEET NO. S22 OF 50 SHEETS

F.A.I. R.E.	SECTION	COUNTY	TOTAL SHEETS	SHEET NO.
94	1920-B	COOK	142	86
				CONTRACT NO. 60J15
ILLINOIS FED. AID PROJECT				

H:\projects\2010\0223\CAD\Structural\dwg\06-1149-Final\00\Di60J15-s22-r.dwg 4/5/2014 4:55:30 PM