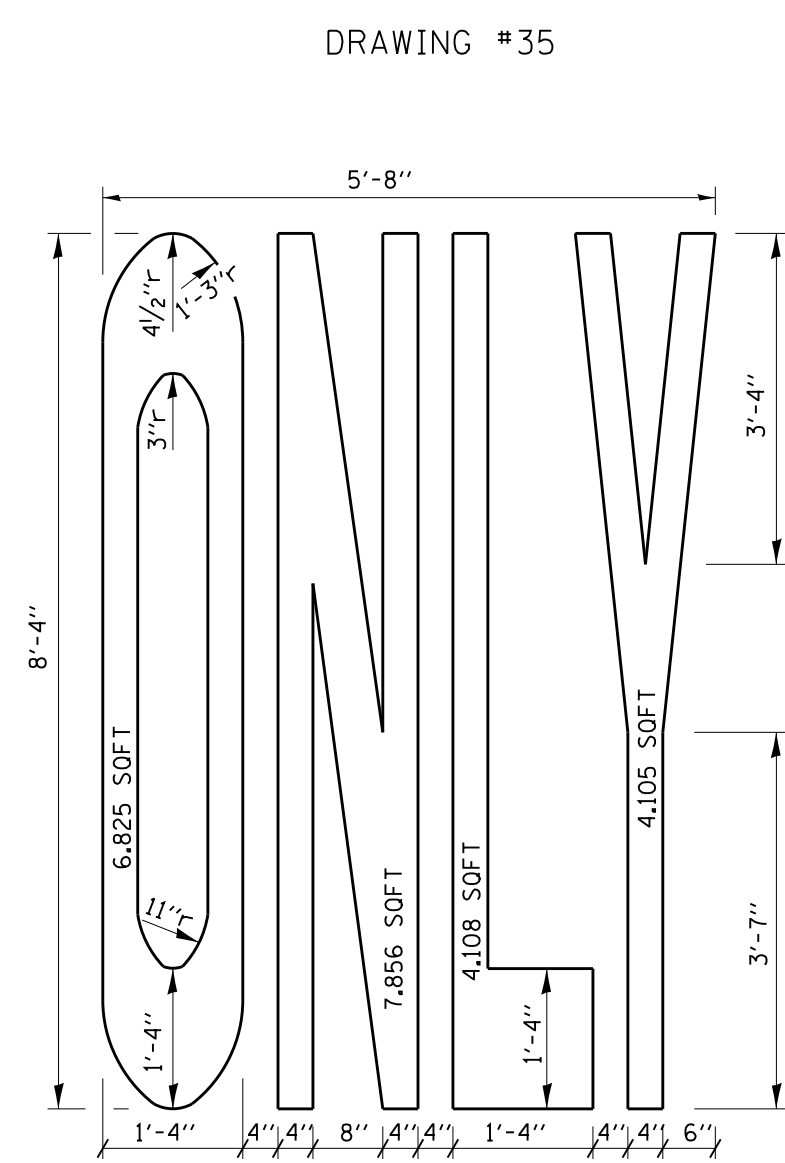
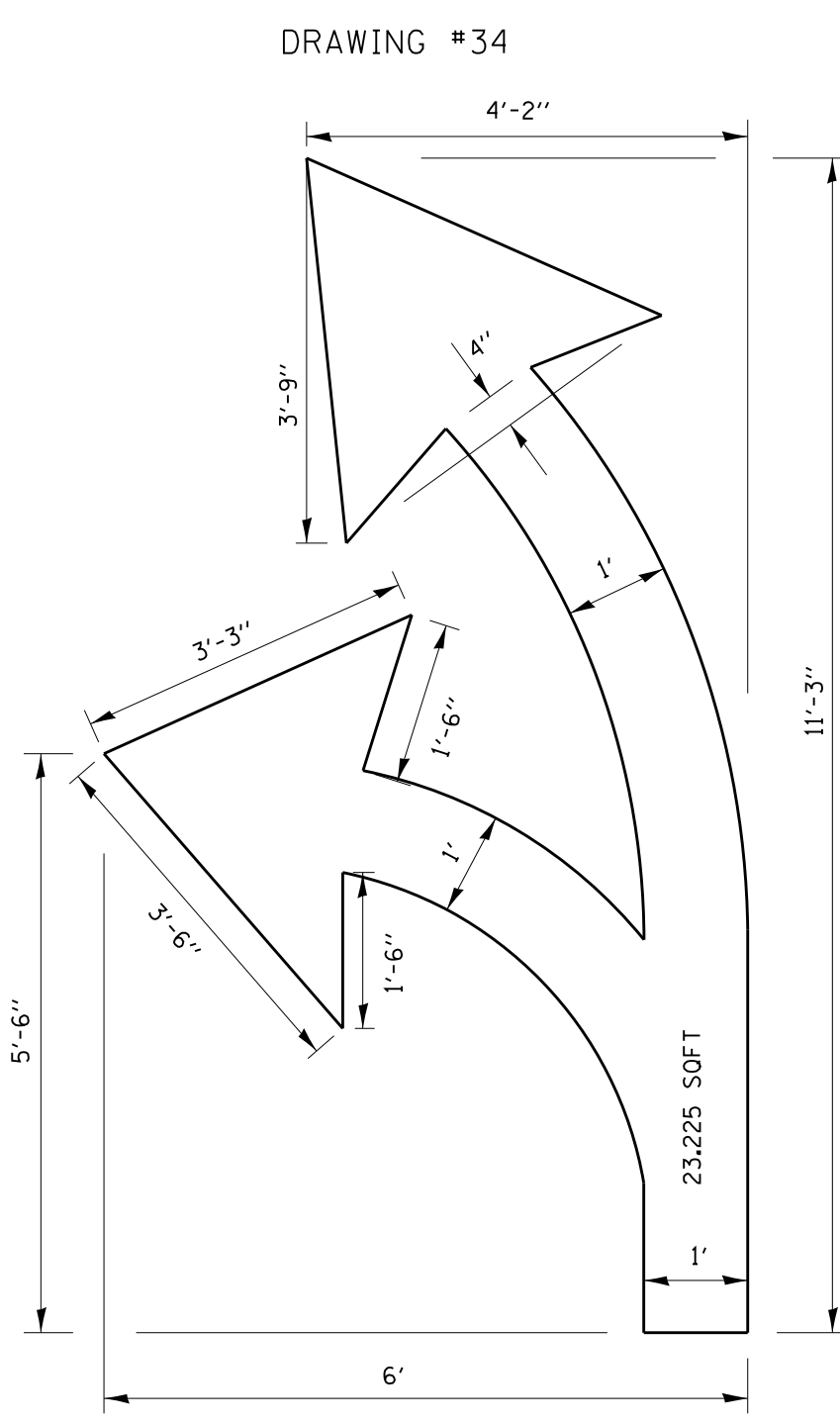
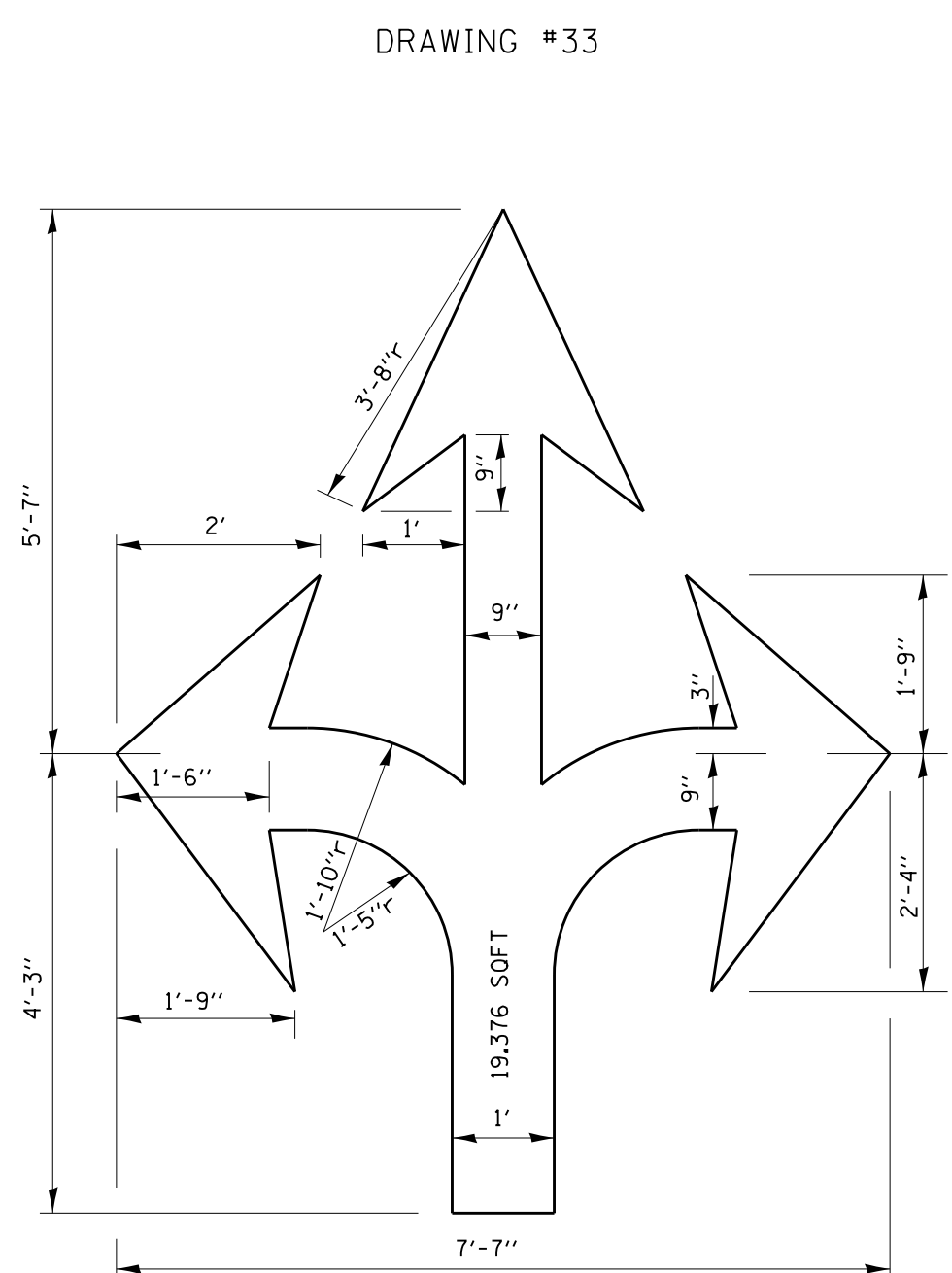
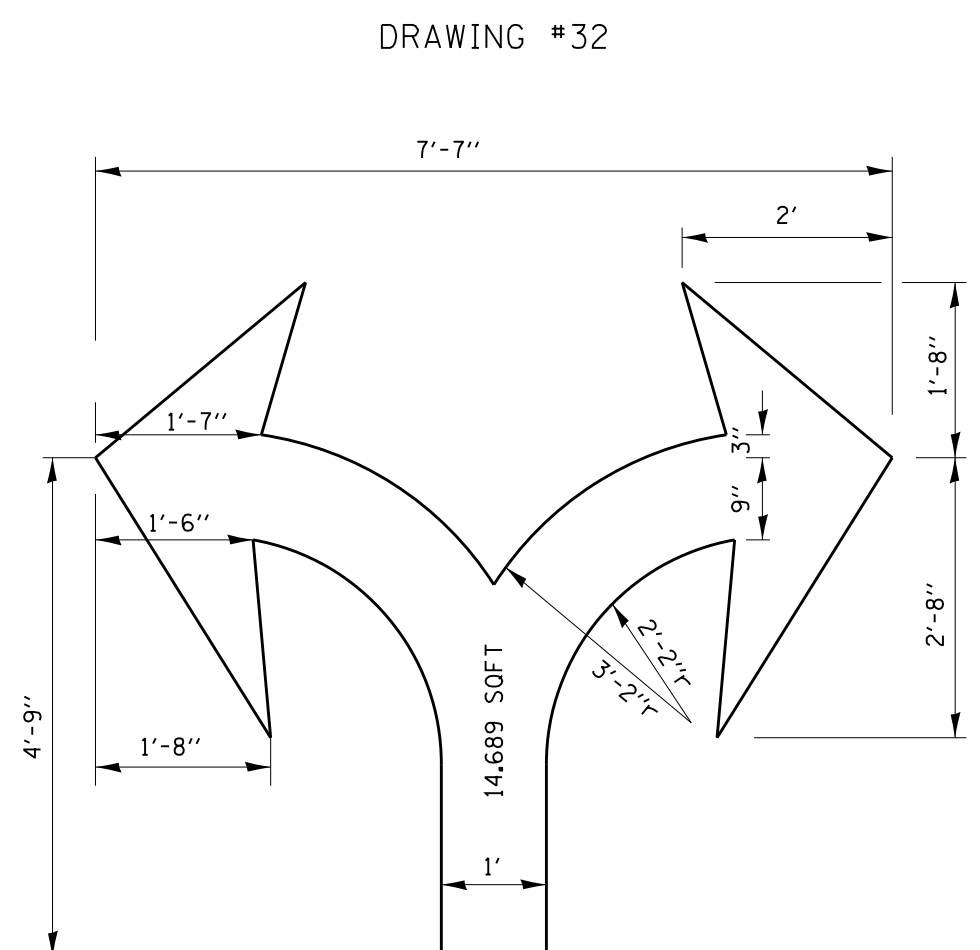
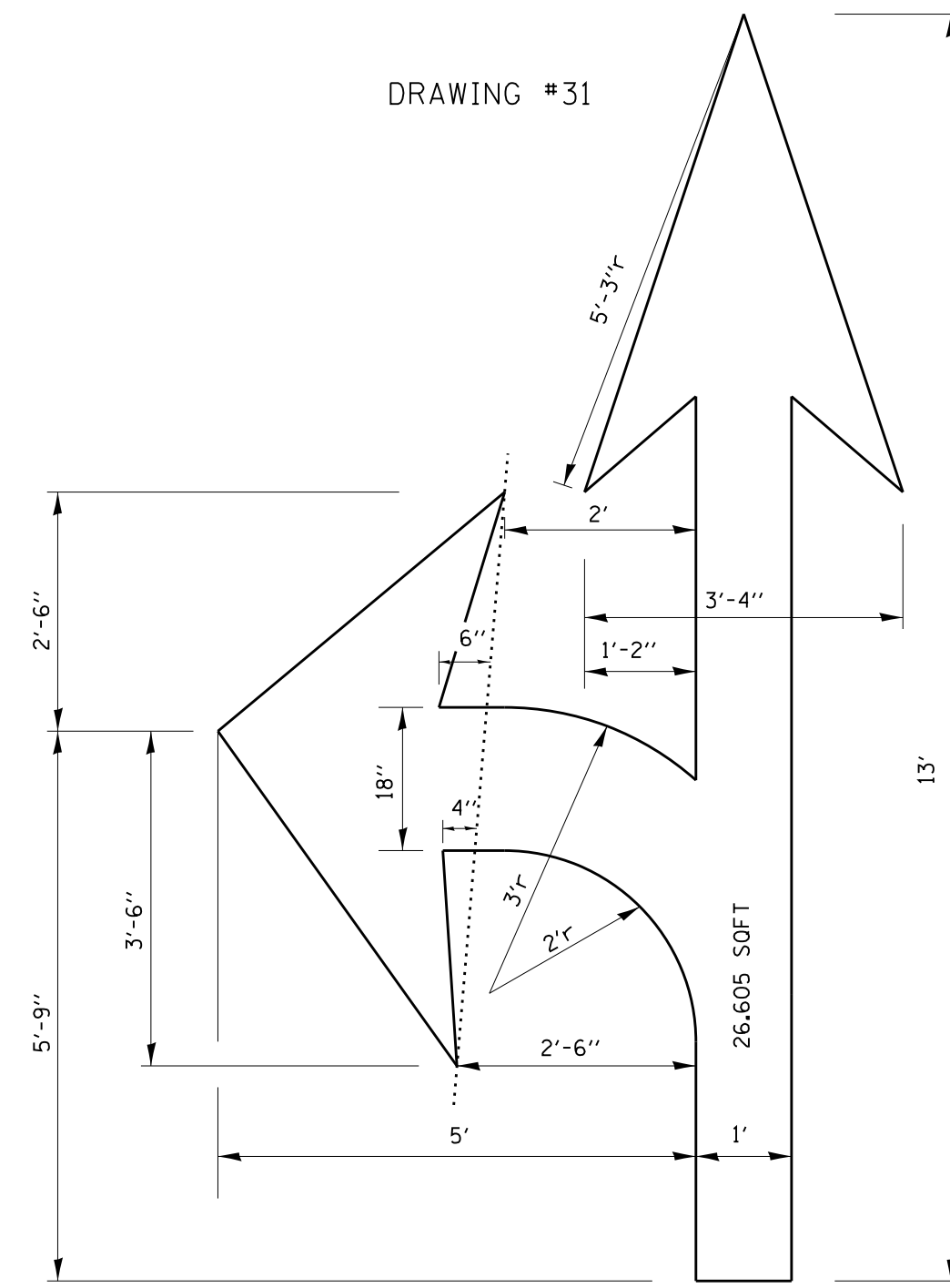
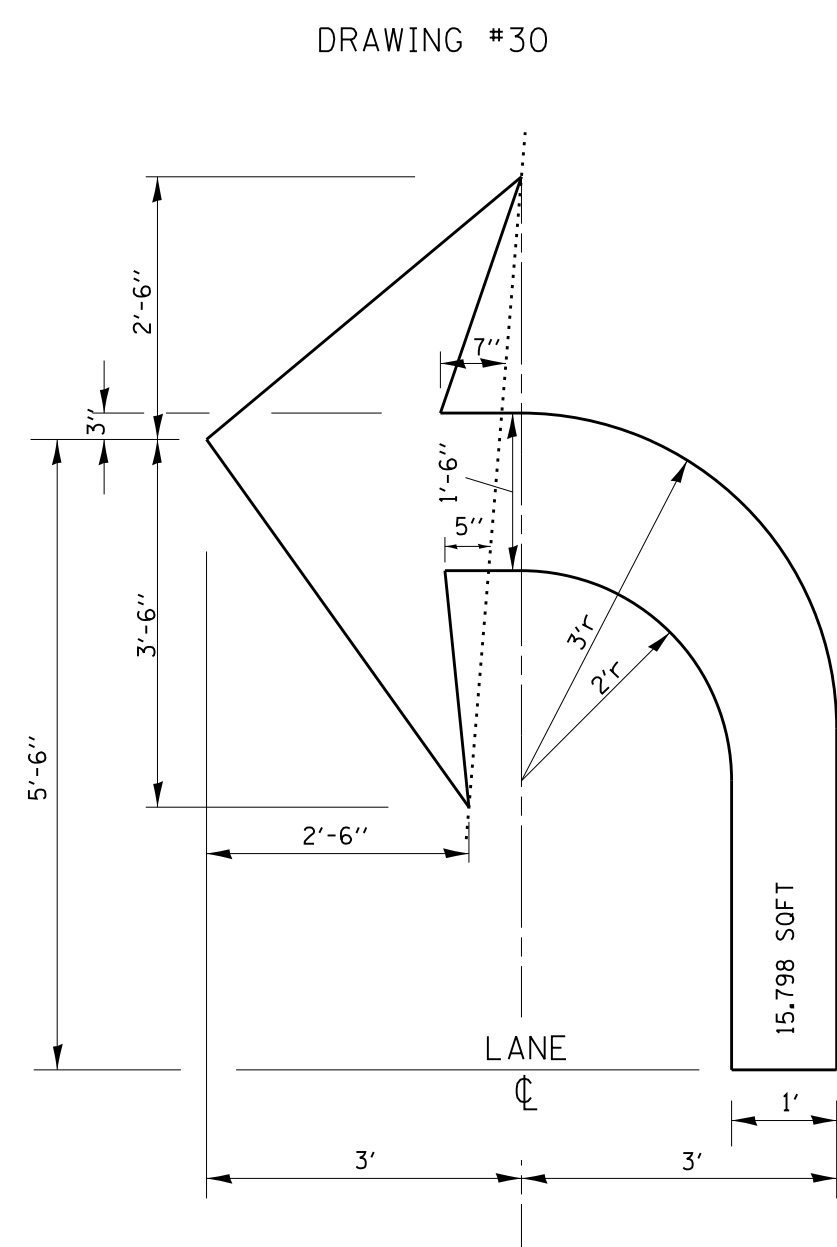
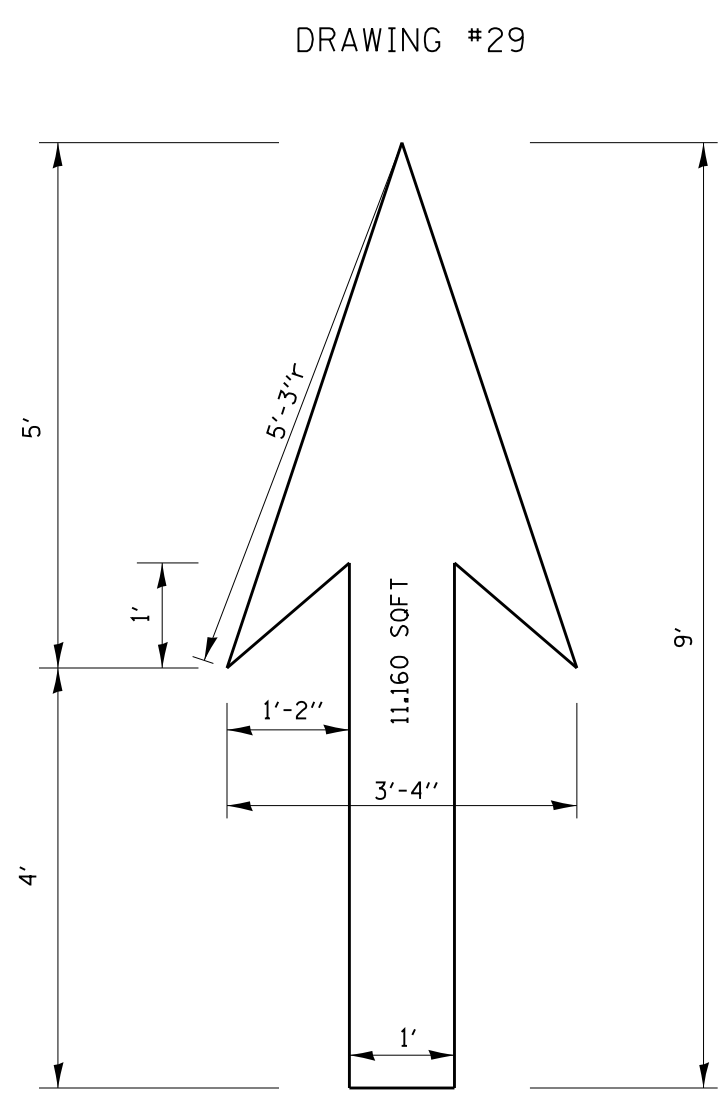


NOTE:

- 1.) FOR BIKE LANE SYMBOLS ONLY, USE PRE-FORMED THERMOPLASTIC WITH A MINIMUM THICKNESS OF 90 MILS, MINIMUM SKID RESISTANCE VALUE OF 60 BPN, & A MINIMUM INDEX OF REFRACTION OF 1.50.
- 2.) THE RESIDENT ENGINEER SHALL CONTACT MR. BEN GOMBERG AT 312-744-8093 AT LEAST ONE CALENDAR WEEK PRIOR TO INSTALLING BIKE LANE SYMBOLS.

TYPICAL BIKE LANE SYMBOLS
DRAWING #28



NOTE: ALL MARKINGS SHALL BE SOLID WHITE UNLESS OTHERWISE NOTED IN THE PLANS

| | | | |
|--|------------------------------|------------|---------------------------------|
| FILE NAME = | USER NAME = drivakosgn | DESIGNED - | REVISED - T. RAMMACHER 12-07-00 |
| et:\pwork\pwork\drivakosgn\d0108315\te24.dgn | | DRAWN - | REVISED - K. ENG 02-28-12 |
| | PLOT SCALE = 50.000 1" = 50' | CHECKED - | REVISED - |
| | PLOT DATE = 3/29/2012 | DATE - | REVISED - |

STATE OF ILLINOIS
DEPARTMENT OF TRANSPORTATION

CITY OF CHICAGO
TYPICAL PAVEMENT MARKINGS

SCALE: NONE SHEET NO. 2 OF 3 SHEETS STA. TO STA.

| | | | | |
|---|---------|--------------|--------------|-----------|
| F.A. RTE. | SECTION | COUNTY | TOTAL SHEETS | SHEET NO. |
| 94 | 1920-B | COOK | 142 | 141 |
| TC-24 | | CONTRACT NO. | 60J15 | |
| FED. ROAD DIST. NO. 1 ILLINOIS FED. AID PROJECT | | | | |