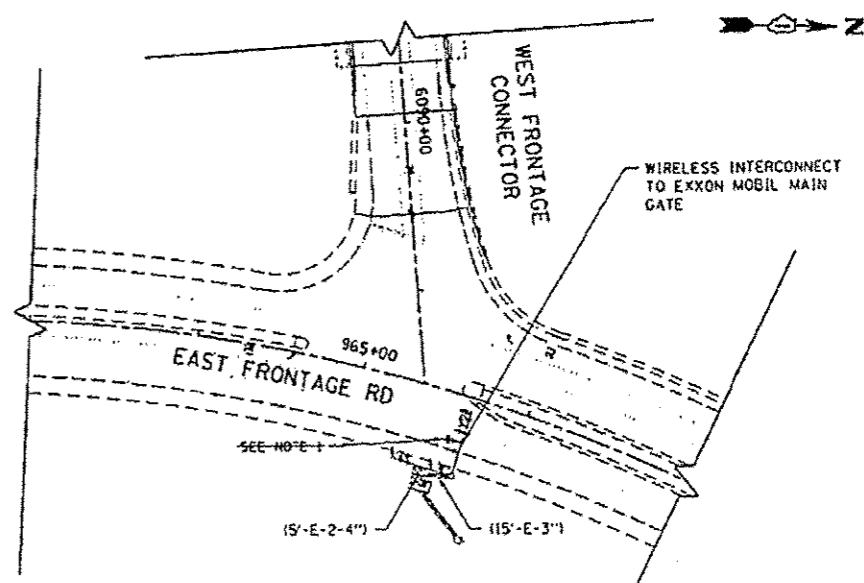
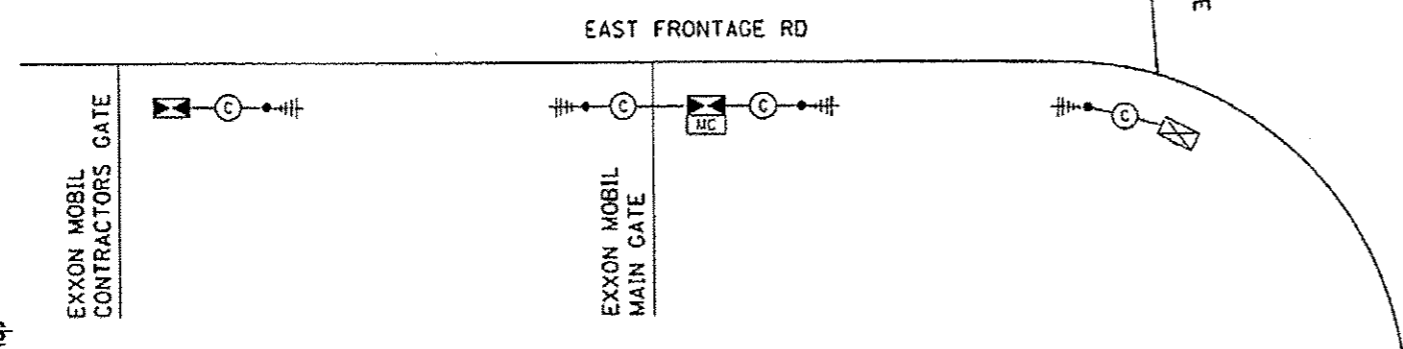


~~TEMPORARY INTERCONNECT SCHEDULE OF QUANTITIES~~

ITEM DESCRIPTION	UNITS	TOTAL QTY.
TEMPORARY WIRELESS INTERCONNECT (COMPLETE)	EACH	1
OPTIMIZE TRAFFIC SIGNAL SYSTEM	EACH	1



NOTES

CONTRACTOR SHALL INSTALL THE WIRELESS INTERCONNECT ANTENNA AND RADIO AT THE EXISTING TRAFFIC SIGNAL AT THE INTERSECTION OF EAST FRONTAGE ROAD AND WEST FRONTAGE CONNECTOR. ANTENNA SHALL BE INSTALLED ON THE WEST ARM NEAREST TO THE CONTROLLER. THIS WORK SHALL NOT BE PAID FOR SEPARATELY BUT SHALL BE INCLUDED IN THE WIRELESS INTERCONNECT (COMPLETE) PAY ITEM.

NOTE: THE TRAFFIC SIGNAL CONTROLLER EQUIPMENT FOR THIS PROJECT SHALL BE "EAGLE" TO MATCH THE EXISTING ADJACENT SYSTEM.

A ADDED SHEET 5-27-14

FILE NAME: S:\JUL\6388-6399\6346\845\Micro\1400	USER NAME: BJJIP	DESIGNED - LP	REVISED - LP 12/04/2012	WILL COUNTY DEPARTMENT OF HIGHWAYS	TEMPORARY INTERCONNECT PLAN AND SCHEMATIC EAST FRONTAGE RD (EXXON MOBIL CONTRACTORS GATE TO WEST FRONTAGE CONNECTOR)	F.A.I. RTE.	SECTION	COUNTY	TOTAL SHEETS	SHEET NO.
MODEL NAME	Sheets\0128007-sh1-ts.dgn	DRAWN - LP	REVISED - JW 09/20/2013			SCALE: [] SHEET OF [] SHEETS STA. TO STA.	55	99-IAC-2	WILL	102
Plot Scale: 40.0000' / in.	Plot Date: 4/21/14	CHECKED - IP	REVISED -	STATE OF ILLINOIS DEPARTMENT OF TRANSPORTATION	TEMPORARY INTERCONNECT PLAN AND SCHEMATIC EAST FRONTAGE RD (EXXON MOBIL CONTRACTORS GATE TO WEST FRONTAGE CONNECTOR)	ILLINOIS FED. AID PROJECT		CONTRACT NO. 60P51		TS*10
Plot Date: 5/27/2014	Date: 05/21/2014	DATE - 11/16/2012	REVISED -			SCALE: [] SHEET OF [] SHEETS STA. TO STA.	ILLINOIS FED. AID PROJECT		CONTRACT NO. 60P51	