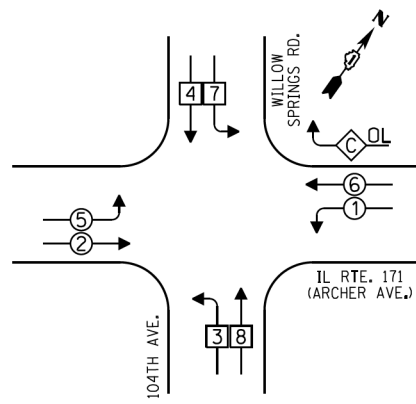


CONTROLLER SEQUENCE

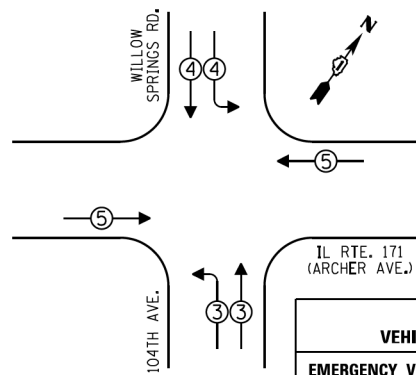


- LEGEND**
- SINGLE ENTRY PHASE
 - DUAL ENTRY PHASE
 - OVERLAP
 - PEDESTRIAN PHASE
 - * NUMBER REFERS TO ASSOCIATED PHASE

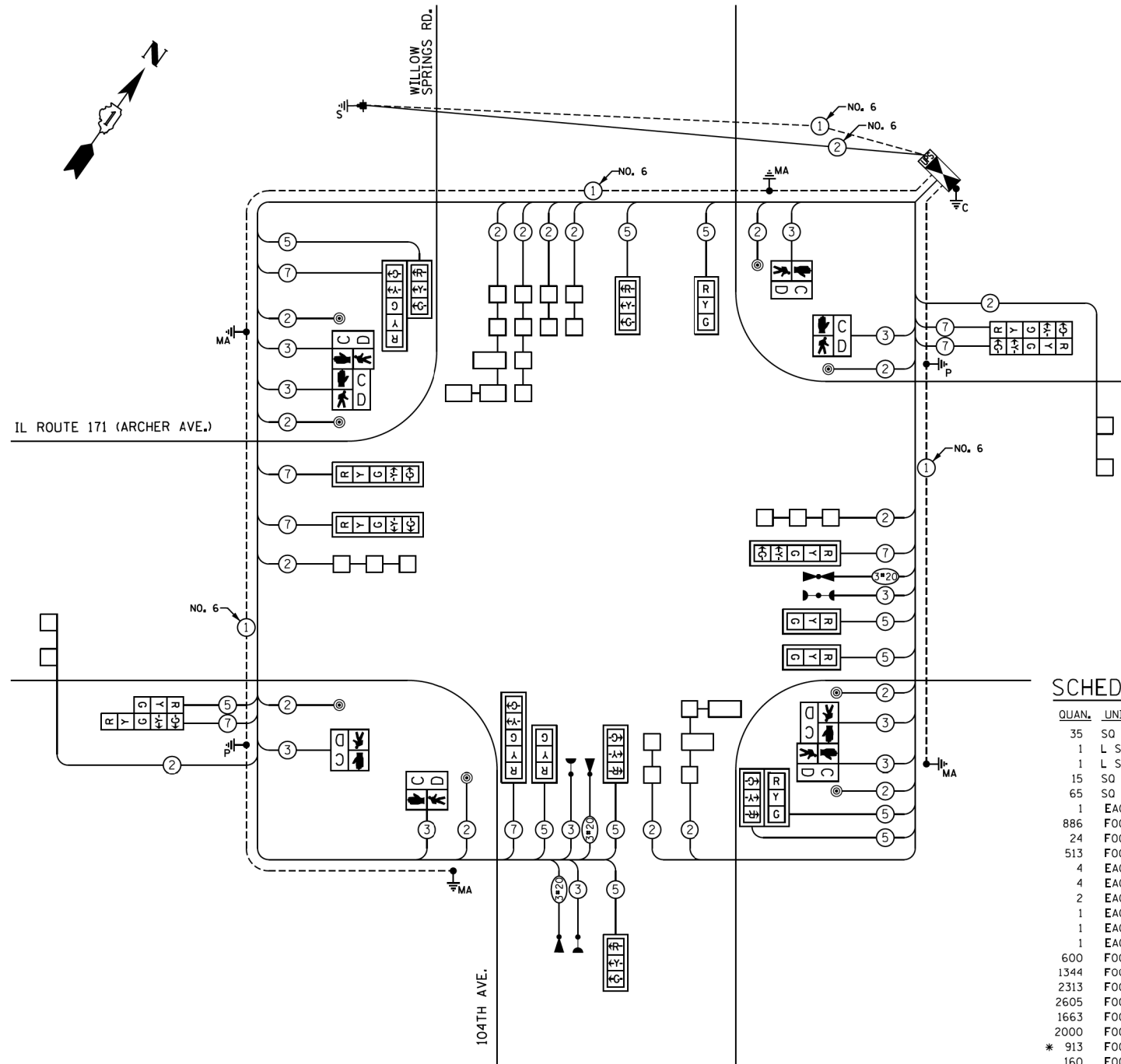
PHASE DESIGNATION DIAGRAM

OVERLAP LETTER	PERMISSIVE PHASE	PROTECTED PHASE
C	= 6	+ 7

EMERGENCY VEHICLE PREEMPTION SEQUENCE



EMERGENCY VEHICLE PREEMPTORS			
EMERGENCY VEHICLE PREEMPTOR	3	4	5
MOVEMENT	↑↑	↓↓	↔



CABLE PLAN

SCHEDULE OF QUANTITIES

QUAN.	UNIT	ITEM
35	SO FT	PORTLAND CEMENT CONCRETE SIDEWALK 5"
1	L SUM	MOBILIZATION
1	L SUM	TRAFFIC CONTROL AND PROTECTION, (SPECIAL)
15	SO FT	SIGN PANEL - TYPE 1
65	SO FT	SIGN PANEL - TYPE 2
1	EACH	SERVICE INSTALLATION, POLE MOUNTED
886	FOOT	UNDERGROUND CONDUIT, GALVANIZED STEEL, 2" DIA.
24	FOOT	UNDERGROUND CONDUIT, GALVANIZED STEEL, 3" DIA.
513	FOOT	UNDERGROUND CONDUIT, GALVANIZED STEEL, 4" DIA.
4	EACH	HANDHOLE
4	EACH	HEAVY-DUTY HANDHOLE
2	EACH	DOUBLE HANDHOLE
1	EACH	MAINTENANCE OF EXISTING TRAFFIC SIGNAL INSTALLATION
1	EACH	FULL-ACTUATED CONTROLLER AND SUPER P CABINET, TYPE IV, SPECIAL
1	EACH	UNINTERRUPTIBLE POWER SUPPLY, SPECIAL
600	FOOT	ELECTRIC CABLE IN CONDUIT, EQUIPMENT GROUNDING CONDUCTOR, NO. 6 1C
1344	FOOT	ELECTRIC CABLE IN CONDUIT, SIGNAL NO. 14 2C
2313	FOOT	ELECTRIC CABLE IN CONDUIT, SIGNAL NO. 14 3C
2605	FOOT	ELECTRIC CABLE IN CONDUIT, SIGNAL NO. 14 5C
1663	FOOT	ELECTRIC CABLE IN CONDUIT, SIGNAL NO. 14 7C
2000	FOOT	ELECTRIC CABLE IN CONDUIT, LEAD-IN, NO. 14 1 PAIR
* 913	FOOT	ELECTRIC CABLE IN CONDUIT, NO. 20 3/C, TWISTED, SHIELDED
160	FOOT	ELECTRIC CABLE IN CONDUIT, SERVICE, NO. 6 2C
2	EACH	TRAFFIC SIGNAL POST, GALVANIZED STEEL 16 FT.
1	EACH	STEEL MAST ARM ASSEMBLY AND POLE, 40 FT.
1	EACH	STEEL MAST ARM ASSEMBLY AND POLE, 46 FT.
1	EACH	STEEL MAST ARM ASSEMBLY AND POLE WITH DUAL MAST ARMS, 36 FT. AND 54 FT.
1	EACH	STEEL MAST ARM ASSEMBLY AND POLE WITH DUAL MAST ARMS, 46 FT. AND 34 FT.
8	FOOT	CONCRETE FOUNDATION, TYPE A
4	FOOT	CONCRETE FOUNDATION, TYPE C
26	FOOT	CONCRETE FOUNDATION, TYPE E, 36-INCH DIAMETER
42	FOOT	CONCRETE FOUNDATION, TYPE E 42-INCH DIAMETER
10	EACH	SIGNAL HEAD, LED, 1-FACE, 3-SECTION, MAST ARM MOUNTED
5	EACH	SIGNAL HEAD, LED, 1-FACE, 5-SECTION, MAST ARM MOUNTED
1	EACH	SIGNAL HEAD, LED, 2-FACE, 5-SECTION, BRACKET MOUNTED
1	EACH	SIGNAL HEAD, LED, 2-FACE, 1-3 SECTION, 1-5 SECTION, BRACKET MOUNTED
4	EACH	PEDESTRIAN SIGNAL HEAD, LED, 1-FACE, BRACKET MOUNTED WITH COUNTDOWN TIMER
2	EACH	PEDESTRIAN SIGNAL HEAD, LED, 2-FACE, BRACKET MOUNTED WITH COUNTDOWN TIMER
15	EACH	TRAFFIC SIGNAL BACKPLATE
10	EACH	INDUCTIVE LOOP DETECTOR
1036	FOOT	DETECTOR LOOP, TYPE I
* 3	EACH	LIGHT DETECTOR
* 1	EACH	LIGHT DETECTOR AMPLIFIER
8	EACH	PEDESTRIAN PUSH-BUTTON
1	EACH	TEMPORARY TRAFFIC SIGNAL INSTALLATION
1	EACH	REMOVE EXISTING TRAFFIC SIGNAL EQUIPMENT
7	EACH	REMOVE EXISTING HANDHOLE
1	EACH	REMOVE EXISTING DOUBLE HANDHOLE
9	EACH	REMOVE EXISTING CONCRETE FOUNDATION
1	EACH	TEMPORARY TRAFFIC SIGNAL TIMING

* INDICATES 100% MUNICIPALITY COST

I.D.O.T. TRAFFIC SIGNAL INSTALLATION ELECTRICAL SERVICE REQUIREMENTS					TOTAL WATTAGE
TYPE	NO. OF LAMPS	INCAND	LED % OPERATIONS	WATTAGE	
SIGNAL (RED)	19		17	0.50	161.50
(YELLOW)	19		25	0.25	118.75
(GREEN)	19		15	0.25	71.25
ARROW	16		12	0.10	19.20
PED. SIGNAL	8		25	1.00	200.00
CONTROLLER	1		100	1.00	100.00
ILLUM. SIGN			25	0.05	
LUMINAIRE		250		0.50	
VIDEO SYSTEM		150		1.00	
FLASHER				0.50	
ENERGY COSTS TO:				TOTAL =	670.70

VILLAGE OF WILLOW SPRINGS
ONE VILLAGE CIRCLE
WILLOW SPRINGS, ILLINOIS 60480

ENERGY SUPPLY - CONTACT: ILYAS MOHIUDDIN
PHONE: (708) 235-2692
COMPANY: COMED

FILE NAME =	USER NAME = bauerd1	DESIGNED -	REVISED -
ca:\p\work\p\dot\bauerd1\d0160775\p142709-sh-t-ts.dgn		DRAWN -	REVISED -
Default	PLOT SCALE = 20.0000' / 1"	CHECKED -	REVISED -
	PLOT DATE = 12/4/2013	DATE -	REVISED -

**STATE OF ILLINOIS
DEPARTMENT OF TRANSPORTATION**

**SCHEDULE OF QUANTITIES, CABLE PLAN, PHASE DESIGNATION
AND EMERGENCY VEHICLE PREEMPTION SEQUENCE
IL. RTE. 171 (ARCHER AVE.) AT 104TH AVE./WILLOW SPRINGS RD.**

SCALE: NONE SHEET OF SHEETS STA. TO STA.

F.A.U. RTE.	SECTION	COUNTY	TOTAL SHEETS	SHEET NO.
3565	B-N-5	COOK	129	64

CONTRACT NO. 60T24
ILLINOIS FED. AID PROJECT