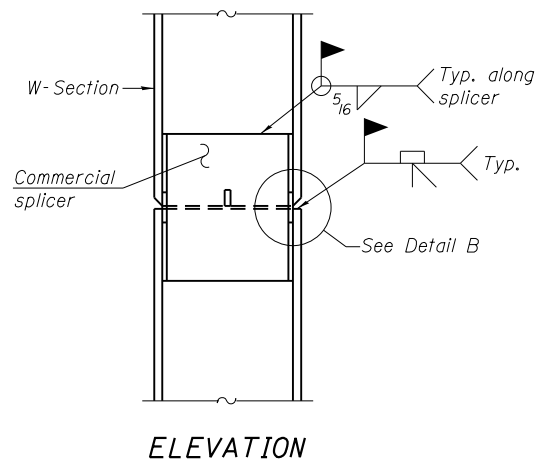
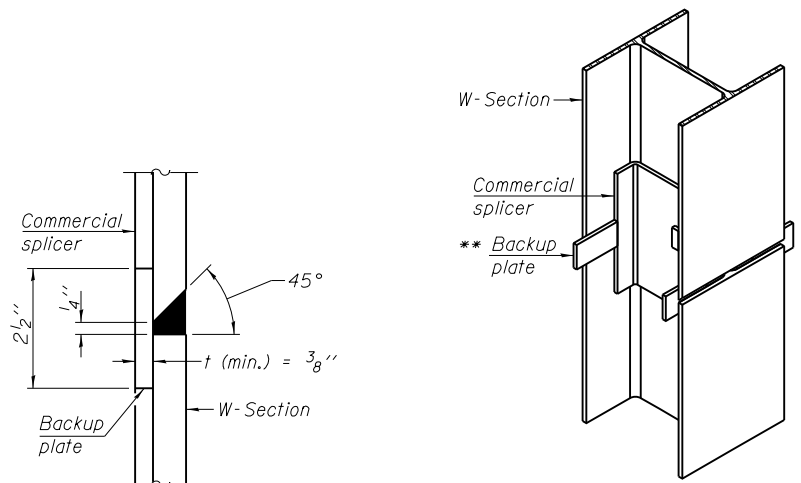


STEEL PILE TABLE

| Designation | Depth <i>d</i> | Flange width <i>b_f</i> | Flange thickness <i>t_f</i> | Web thickness <i>t_w</i> | Encasement diameter <i>A</i> |
|-------------|----------------------------------|---|---|--|------------------------------------|
| W27x129 | 27 ⁵ / ₈ " | 10" | 1 ¹ / ₈ " | 5 ⁵ / ₈ " | 3'-0" |
| W30x173 | 30 ¹ / ₂ " | 15" | 1 ¹ / ₆ " | 5 ⁵ / ₈ " | 3'-6" |



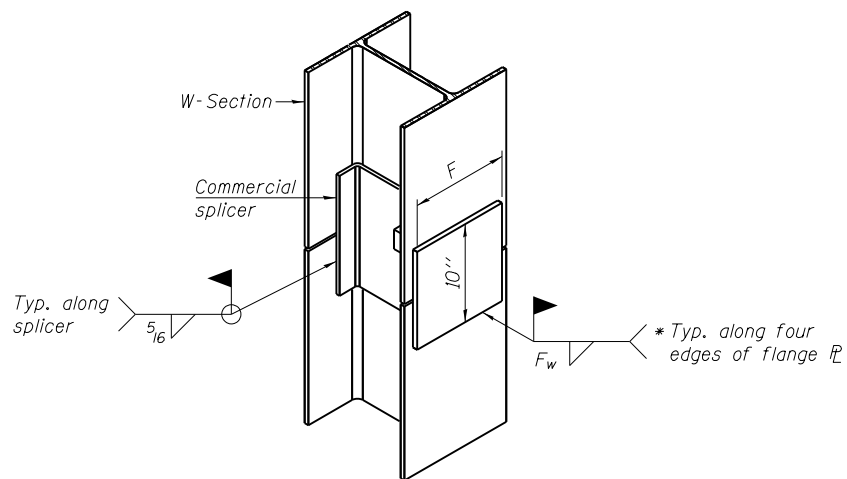
ELEVATION



ISOMETRIC VIEW

DETAIL "B"

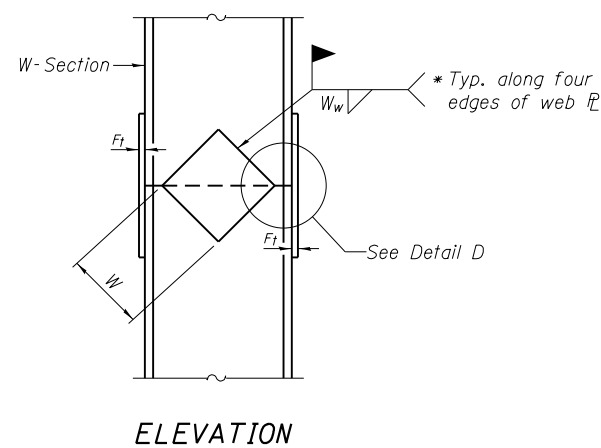
WELDED COMMERCIAL SPLICE



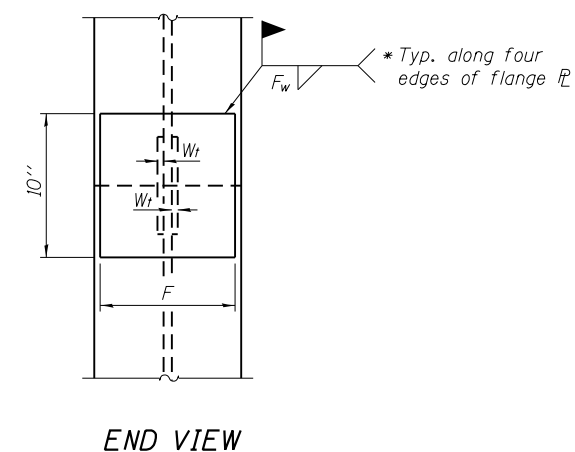
ISOMETRIC VIEW

WELDED COMMERCIAL SPLICE ALTERNATE

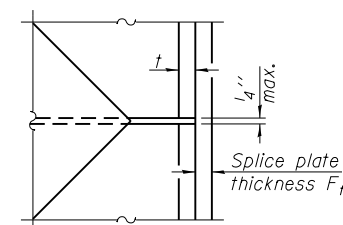
- * Interrupt welds 1/4" from end of web and/or each flange.
- ** Remove portions of backup plates that extend outside the flanges.



ELEVATION



END VIEW



DETAIL D

| Designation | <i>F</i> | <i>F_t</i> | <i>F_w</i> | <i>W</i> | <i>W_t</i> | <i>W_w</i> |
|-------------|----------------------------------|---------------------------------|---------------------------------|----------------------------------|---------------------------------|---------------------------------|
| W21x83 | 8" | 1 ¹ / ₂ " | 7 ⁷ / ₈ " | 16 ⁵ / ₈ " | 5 ⁵ / ₈ " | 1 ¹ / ₂ " |
| W30x173 | 12 ¹ / ₂ " | 1 ³ / ₈ " | 7 ⁷ / ₈ " | 18 ⁵ / ₈ " | 5 ⁵ / ₈ " | 1 ¹ / ₂ " |

WELDED PLATE FIELD SPLICE

Note:
The steel W-Sections shall be according to
AASHTO M270 Grade 50.

FILE NAME = SA\JUL16300-6399\6346\052\Micro\CAD\Sheets\Structural\Retaining_Mat\60NE2-bt-906-PILEDET.dgn