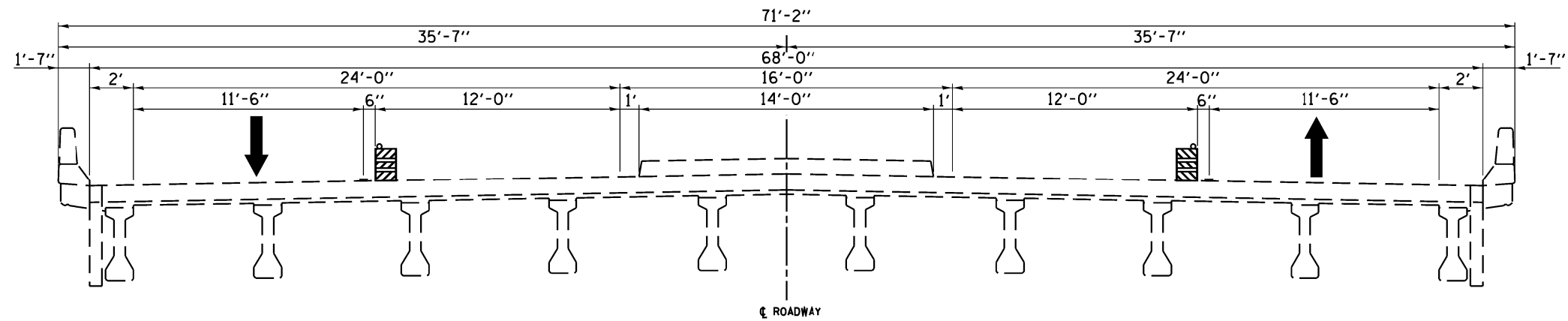
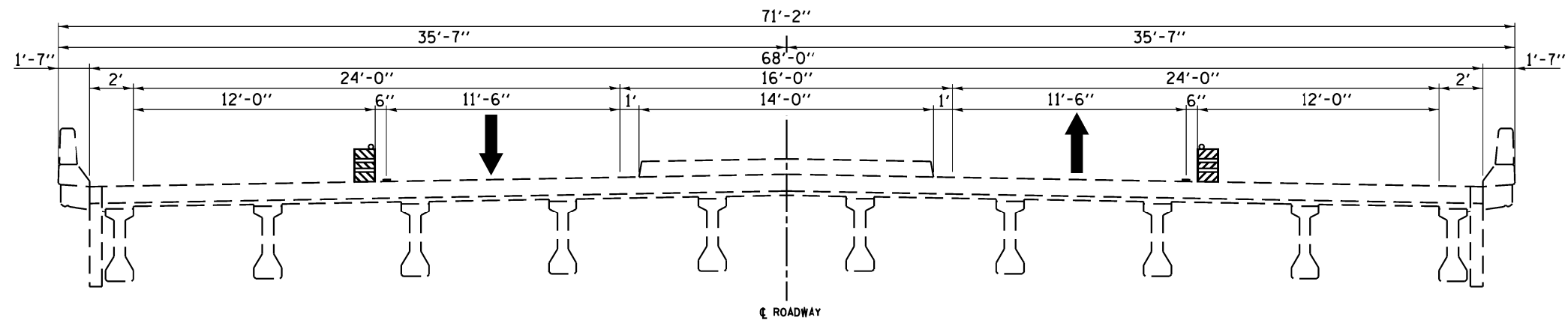


CROSS SECTION
(LOOKING NORTH)



CROSS SECTION STAGING I
(LOOKING NORTH)



CROSS SECTION STAGING II
(LOOKING NORTH)

FILE NAME =	USER NAME = pyzranowskirb	DESIGNED -	REVISED -	STATE OF ILLINOIS DEPARTMENT OF TRANSPORTATION	STAGING PLANS			F.A.P. RTE.	SECTION	COUNTY	TOTAL SHEETS	SHEET NO.
ct:\pwork\pwork\pyzranowskirb\035562\0134213-sht-plan.dgn	DJ134213-sht-plan.dgn	DRAWN -	REVISED -		IL 59 AT METRA RR (SN 016-2606)			338	110V-R-1-BR	COOK	28	11
Default	PLOT SCALE = 100.0000' / 1in.	CHECKED -	REVISED -		SCALE:	SHEET 1	OF 7 SHEETS	STA.	TO STA.	CONTRACT NO. 60W59		
	PLOT DATE = 3/12/2014	DATE -	REVISED -		ILLINOIS FED. AID PROJECT							