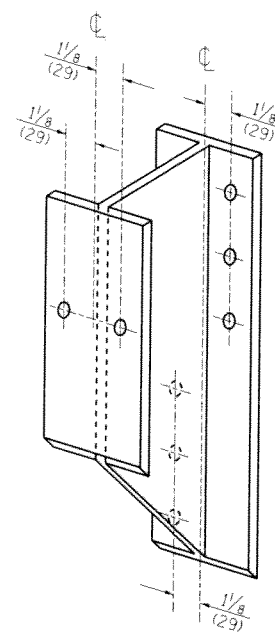
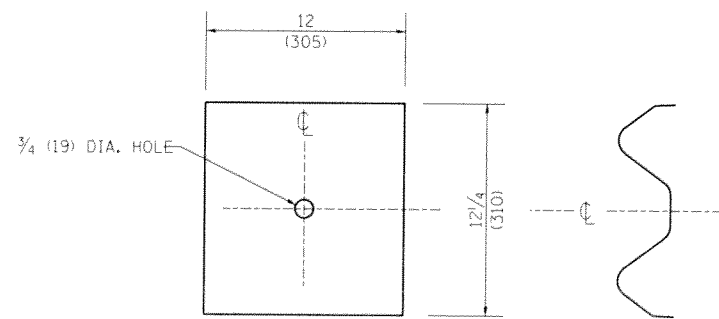


STEEL POST CONSTRUCTION



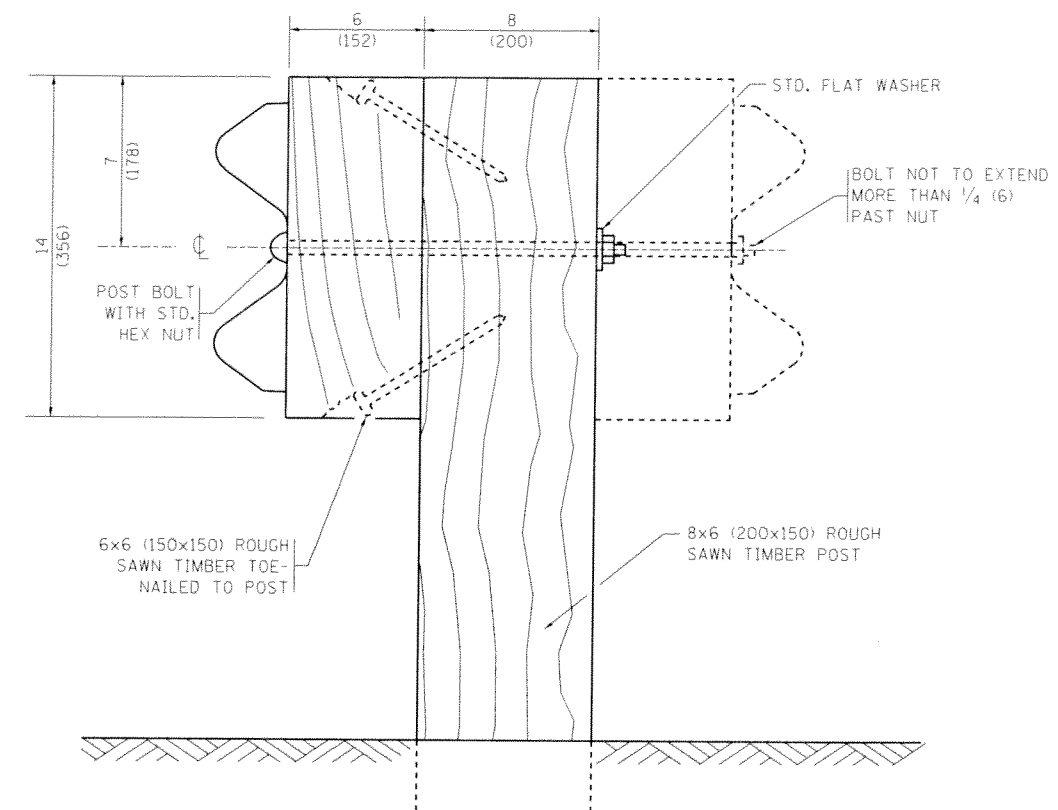
STEEL BLOCK-OUT DETAIL



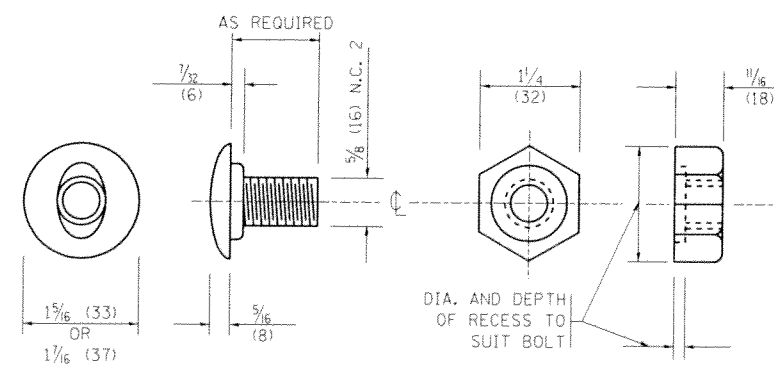
NOTE:

PLATE A SHALL BE PLACED BETWEEN RAIL ELEMENT AND BLOCK-OUT AT NON-SPLICE MOUNTING POINTS ONLY WHEN STEEL BLOCK-OUTS ARE USED.

PLATE A



WOOD POST CONSTRUCTION



POST OR SPLICE BOLT & NUT

FILE NAME = c:\pwork\pwork\stedpa\d0329923\Dist\std.dgn	USER NAME = stedpa	DESIGNED - DRAWN -	REVISED - 10-31-06 REVISED -	STATE OF ILLINOIS DEPARTMENT OF TRANSPORTATION	REMOVE AND REERECT STEEL PLATE BEAM GUARDRAIL			F.A.P. RTE. 557	SECTION 2013-0481	COUNTY KANE	TOTAL SHEETS 24	SHEET NO. 16
PLOT SCALE = 100.0000 / 1 in.	CHECKED -	REVISED -	REVISED -		SCALE: NONE	SHEET NO. 2 OF 4 SHEETS	STA.	TO STA.	BM-21		CONTRACT NO. 60X02	
PLOT DATE = 3/20/2014	DATE -	REVISED -	REVISED -		FED. ROAD DIST. NO. 1 ILLINOIS FED. AID PROJECT							