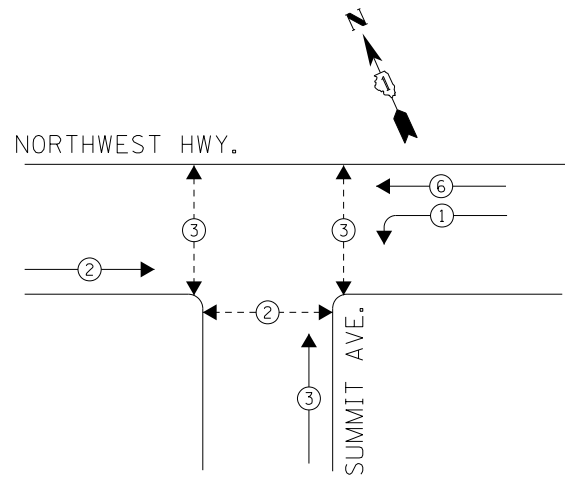
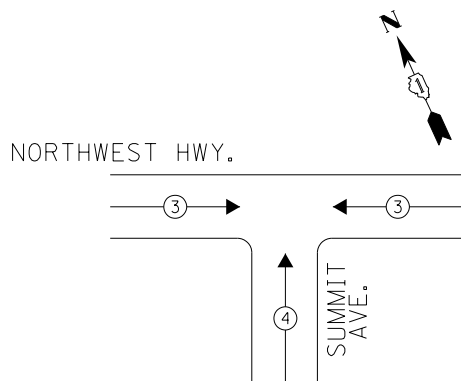




EXISTING CONTROLLER SEQUENCE



PHASE DESIGNATION DIAGRAM

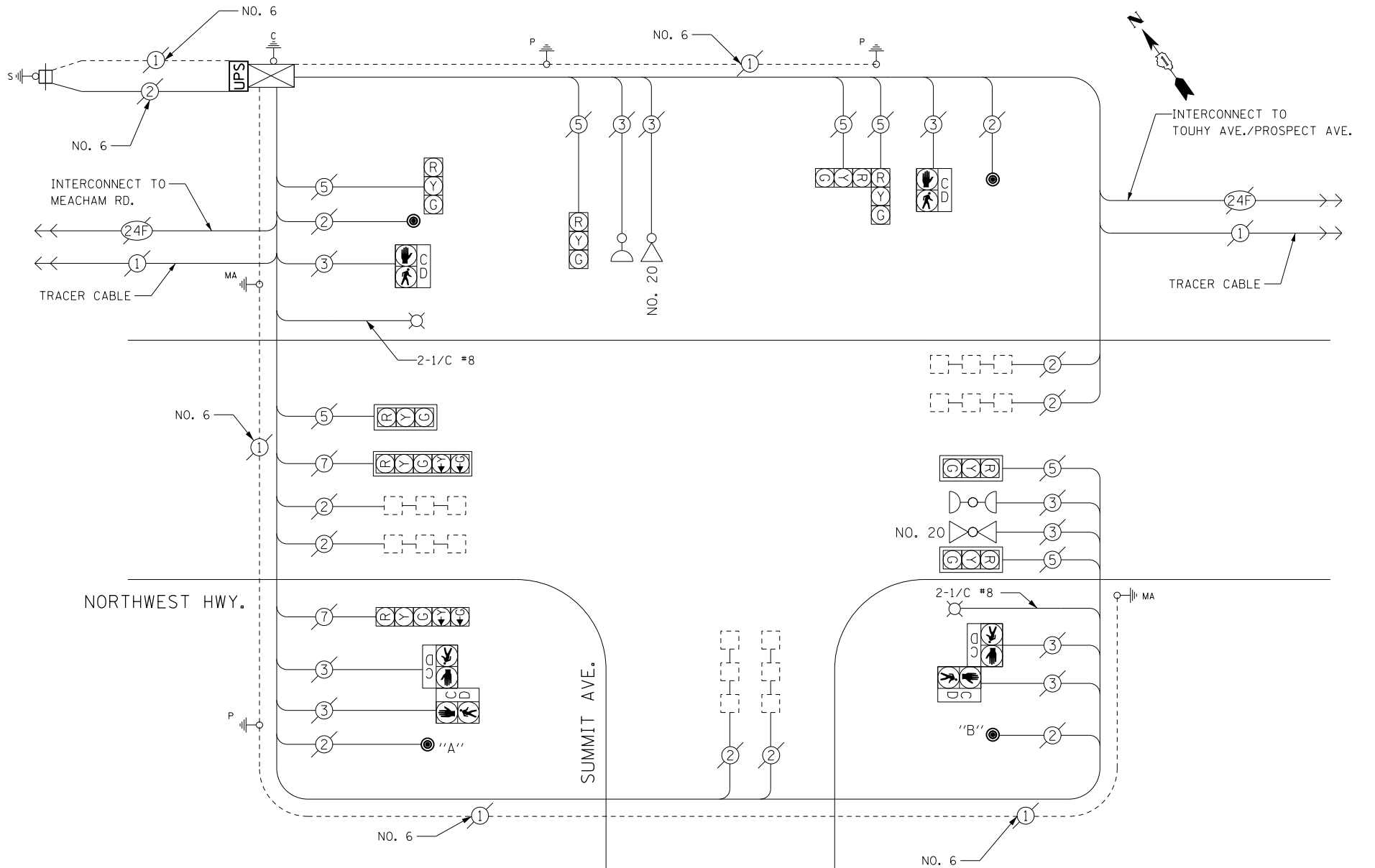


EXISTING EMERGENCY VEHICLE PREEMPTION SEQUENCE

EMERGENCY VEHICLE PREEMPTORS		
EMERGENCY VEHICLE PREEMPTOR	3	4
MOVEMENT	←→	↑

LEGEND

- ⊙ → DUAL ENTRY PHASE
- ⊙ → PEDESTRIAN PHASE
- NUMBER REFERS TO ASSOCIATED PHASE



CABLE PLAN

THE TRAFFIC SIGNAL CONTROL EQUIPMENT FOR THIS PROJECT SHALL BE "ECONOLITE" TO MATCH THE EXISTING ADJACENT SYSTEM.

PUSHBUTTON NOTES:

PUSHBUTTON "A" SHALL PLACE A CALL IN PHASES 2 AND 3
 PUSHBUTTON "B" SHALL PLACE A CALL IN PHASES 2 AND 3

REMOVAL OF EXISTING TRAFFIC SIGNAL EQUIPMENT

THE FOLLOWING ITEMS SHALL BE REMOVED BY THE CONTRACTOR AND SHALL BE DISPOSED OF BY THEM OUTSIDE THE RIGHT-OF-WAY AT THEIR EXPENSE. THE SALVAGE VALUE OF THE REMOVED EQUIPMENT SHALL BE REFLECTED IN THE CONTRACT BID PRICE.

4 EACH PEDESTRIAN PUSH-BUTTON

I. D. O. T.
 TRAFFIC SIGNAL INSTALLATION
 ELECTRICAL SERVICE REQUIREMENTS

TYPE	NO. LAMPS	WATTAGE INCAND.	WATTAGE LED	%OPERATION	TOTAL WATTAGE
SIGNAL (RED)	9	-	17	0.50	76.5
(YELLOW)	9	-	25	0.25	56.25
(GREEN)	9	-	15	0.25	33.75
ARROW	4	-	12	0.10	4.8
PED. SIGNAL	6	-	25	1.00	150.0
CONTROLLER	1	100	-	1.00	100.0
ILLUM. SIGN	-	-	25	0.50	-
VIDEO SYSTEM	-	150	-	1.00	-
BATTERY BACKUP	1	25	-	1.00	25.0
LUMINAIRE	2	400	-	0.50	400.0
FLASHER	-	-	25	0.50	-
TOTAL =					846.3

SCHEDULE OF QUANTITIES

ITEMS	UNIT	QUANTITY
MAINTENANCE OF EXISTING TRAFFIC SIGNAL INSTALLATION	EACH	1
MODIFY EXISTING CONTROLLER CABINET	EACH	1
REMOVE EXISTING TRAFFIC SIGNAL EQUIPMENT	EACH	1
UNINTERRUPTABLE POWER SUPPLY, SPECIAL	EACH	1
PEDESTRIAN PUSH-BUTTON, NON-LATCHING	EACH	4

ENERGY COSTS- BILLED TO: IDOT DISTRICT 1
 201 WEST CENTER COURT
 SCHAUMBURG, IL 60196-1096

ENERGY SUPPLY- CONTACT TERRI BLECK
 PHONE 847-816-5239
 COMMONWEALTH EDISON

TS 9247
 PARK RIDGE

FILE NAME = D:\60X82-sht-TS9247.dgn	USER NAME = SJohnson	DESIGNED - PHL	REVISED -
Default	PLOT SCALE = 40.0000' / in.	DRAWN - PHL	REVISED -
	PLOT DATE = 3/21/2014	CHECKED - BKS	REVISED -
		DATE - 03/09/2014	REVISED -

STATE OF ILLINOIS
 DEPARTMENT OF TRANSPORTATION

NORTHWEST HWY. AT SUMMIT AVE. - CABLE PLAN
 SCHEDULE OF QUANTITIES, PHASE DESIG. DIAGRAM & EVP SEQUENCE

SCALE: SHEET OF SHEETS STA. TO STA.

F.A. RTE.	SECTION	COUNTY	TOTAL SHEETS	SHEET NO.
	2014-007TS	COOK	88	43
CONTRACT NO. 60X82				
ILLINOIS FED. AID PROJECT				