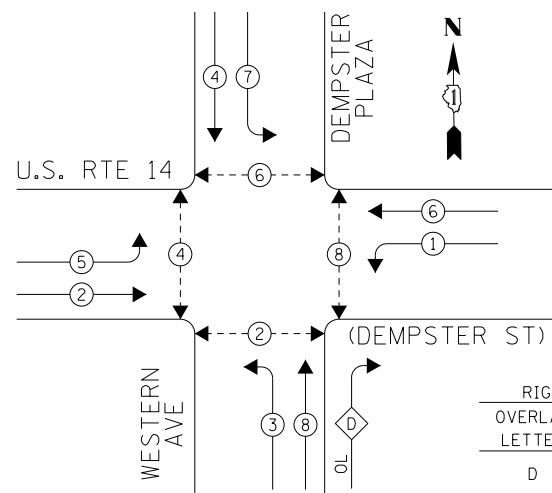


EXISTING CONTROLLER SEQUENCE

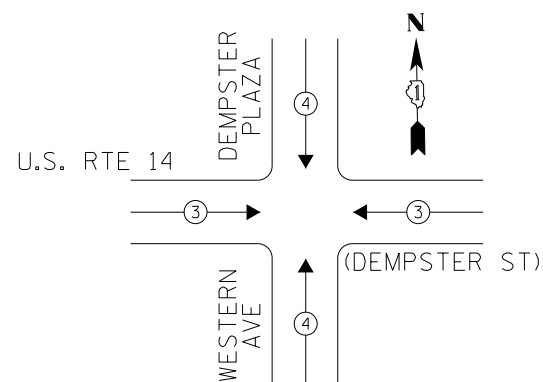


- LEGEND**
- ← ○ → DUAL ENTRY PHASE
  - ← ◇ → OVERLAP
  - ← ○ → PEDESTRIAN PHASE
  - NUMBER REFERS TO ASSOCIATED PHASE

RIGHT TURN OVERLAP PHASE DESIGNATION

OVERLAP LETTER	PERMISSIVE PHASE	PROTECTED PHASE
D	= 8	+ 1

PHASE DESIGNATION DIAGRAM



EXISTING EMERGENCY VEHICLE PREEMPTION SEQUENCE

EMERGENCY VEHICLE PREEMPTORS		
EMERGENCY VEHICLE PREEMPTOR	3	4
MOVEMENT	← →	↓ ↑

I. D. O. T.  
TRAFFIC SIGNAL INSTALLATION  
ELECTRICAL SERVICE REQUIREMENTS

TYPE	NO. LAMPS	WATTAGE INCAND.	WATTAGE LED	%OPERATION	TOTAL WATTAGE
SIGNAL (RED)	13	-	17	0.50	110.5
(YELLOW)	13	-	25	0.25	81.25
(GREEN)	13	-	15	0.25	48.75
ARROW	20	-	12	0.10	24.0
PED. SIGNAL	8	-	25	1.00	200.0
CONTROLLER	1	100	-	1.00	100.0
ILLUM. SIGN	-	-	-	0.50	-
VIDEO SYSTEM	-	-	-	1.00	-
BATTERY BACKUP	1	25	-	1.00	25.0
LUMINAIRE	-	-	-	0.50	-
FLASHER	-	-	-	0.50	-
<b>TOTAL =</b>					<b>589.5</b>

**BILLED TO:** IDOT DISTRICT 1  
201 WEST CENTER COURT  
SCHAUMBURG, IL 60196-1096

**CONTACT:** TERRI BLECK  
PHONE: 847-816-5239  
COMMONWEALTH EDISON

THE TRAFFIC SIGNAL CONTROL EQUIPMENT FOR THIS PROJECT SHALL BE "ECONOLITE" TO MATCH THE EXISTING ADJACENT SYSTEM.

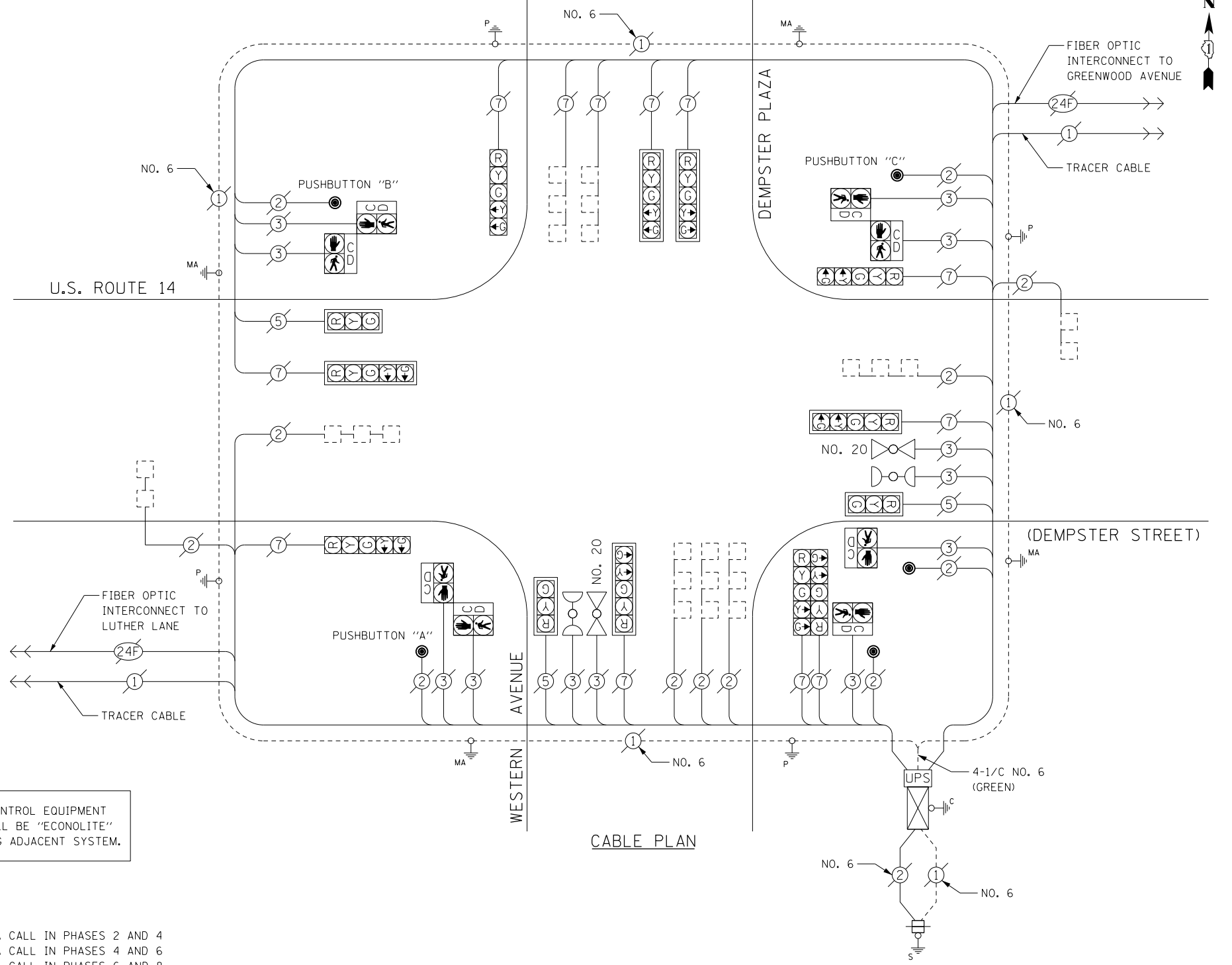
**PUSHBUTTON NOTES:**  
PUSHBUTTON "A" SHALL PLACE A CALL IN PHASES 2 AND 4  
PUSHBUTTON "B" SHALL PLACE A CALL IN PHASES 4 AND 6  
PUSHBUTTON "C" SHALL PLACE A CALL IN PHASES 6 AND 8

SCHEDULE OF QUANTITIES

ITEMS	UNIT	QUANTITY
MAINTENANCE OF EXISTING TRAFFIC SIGNAL INSTALLATION	EACH	1
REMOVE EXISTING TRAFFIC SIGNAL EQUIPMENT	EACH	1
PEDESTRIAN PUSH-BUTTON, NON-LATCHING	EACH	5

**REMOVAL OF EXISTING TRAFFIC SIGNAL EQUIPMENT**  
THE FOLLOWING ITEMS SHALL BE REMOVED BY THE CONTRACTOR AND SHALL BE DISPOSED OF BY THEM OUTSIDE THE RIGHT-OF-WAY AT THEIR EXPENSE. THE SALVAGE VALUE OF THE REMOVED EQUIPMENT SHALL BE REFLECTED IN THE CONTRACT BID PRICE.

5 EACH PEDESTRIAN PUSH-BUTTON



CABLE PLAN

FILE NAME = D:\60X82-sht-TS1213.dgn	USER NAME = SJohnson	DESIGNED - PHL	REVISED -
Default	PLOT SCALE = 40.0000' / in.	DRAWN - PHL	REVISED -
	PLOT DATE = 3/21/2014	CHECKED - BKS	REVISED -
		DATE - 03/09/2014	REVISED -

STATE OF ILLINOIS  
DEPARTMENT OF TRANSPORTATION

U.S. ROUTE 14 (DEMPSTER STREET) AT WESTERN AVENUE - CABLE PLAN  
SCHEDULE OF QUANTITIES, PHASE DESIG. DIAGRAM & EVP SEQUENCE

F.A. RTE.	SECTION	COUNTY	TOTAL SHEETS	SHEET NO.
	2014-007TS	COOK	88	77
CONTRACT NO. 60X82				
ILLINOIS FED. AID PROJECT				

TS 1213  
PARK RIDGE