

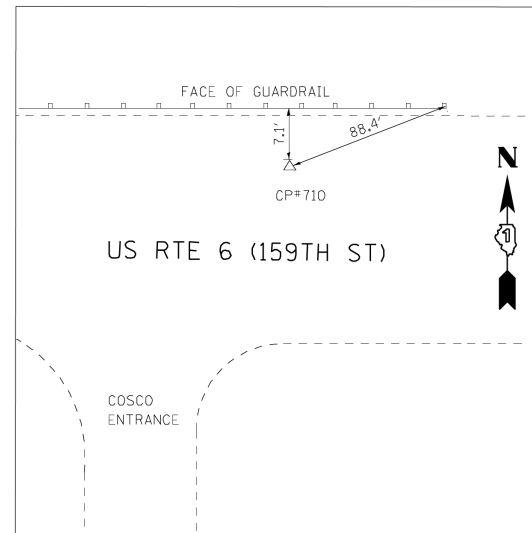
**CONTROL POINT #72**

FOUND 60d SPIKE

STA. 396+15.33, 26.47' RT.

N 1797557.174

E 1111835.411



**CONTROL POINT #710**

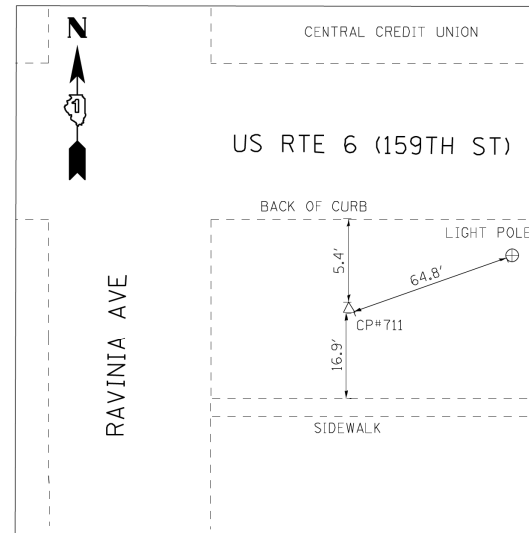
SET MAG NAIL IN HMA SHOULDER

STA. 407+89.43, 18.90' LT.

N 1797636.444

E 1113007.709

ELEV. 687.07



**CONTROL POINT #711**

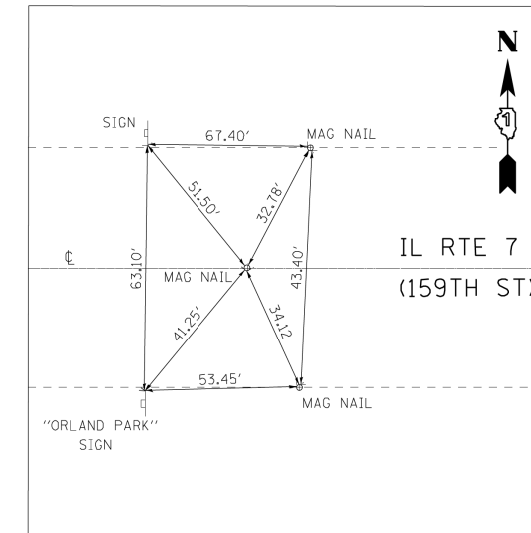
SET REBAR

STA. 417+83.01, 48.24' RT.

N 1797598.035

E 1114002.818

ELEV. 698.59



**STA. 281 + 00.00**

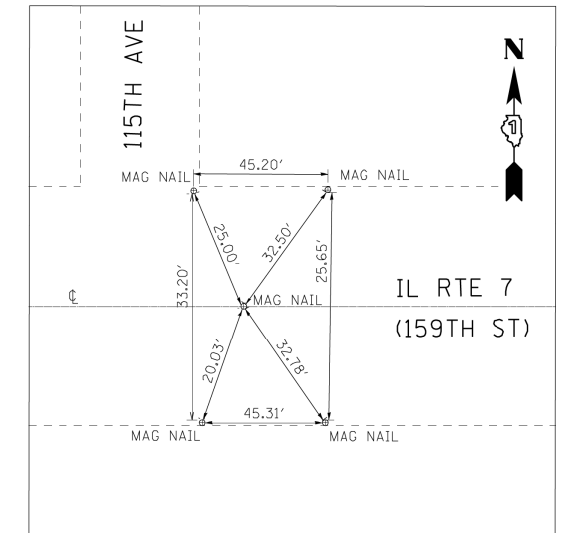
**POT**

**PROJECT BEGINS**

SET MAG NAIL

N 1797241.646

E 1100324.396



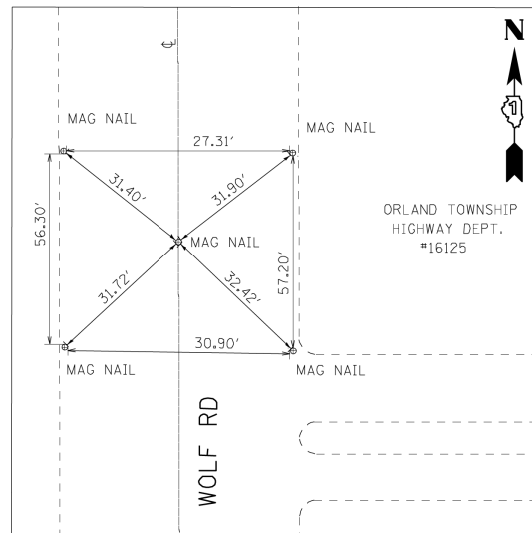
**STA. 309 + 34.68**

**PI**

SET MAG NAIL

N 1797327.775

E 1103157.767



**STA. 1 + 00.00**

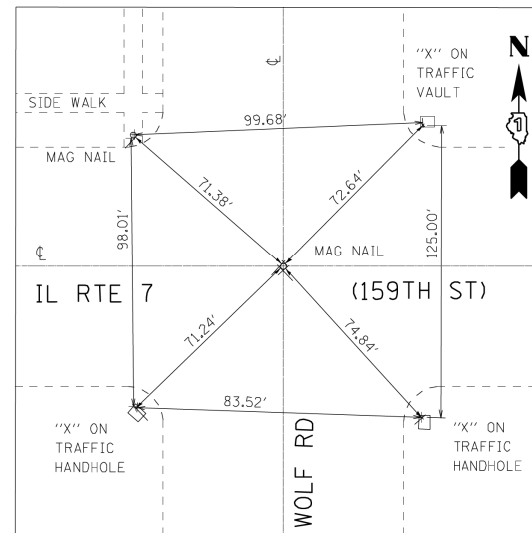
**POT - WOLF RD**

**PROJECT BEGINS**

SET MAG NAIL

N 1795486.657

E 1105162.870



**STA. 238 + 39.41**

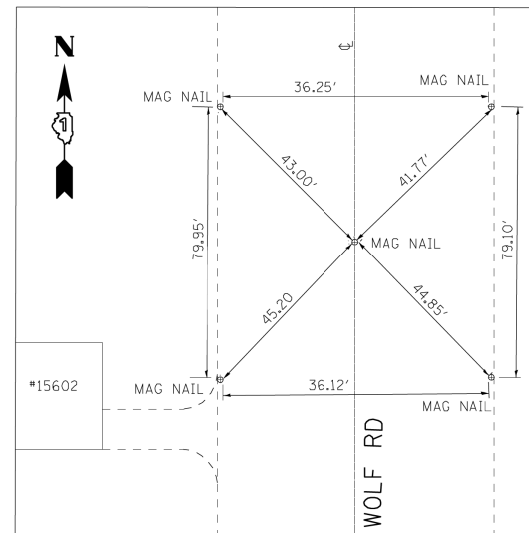
**POT - 159TH ST**

**PI - WOLF RD (STA. 20 + 00)**

SET MAG NAIL

N 1797386.068

E 1105115.628



**STA. 38 + 50.00**

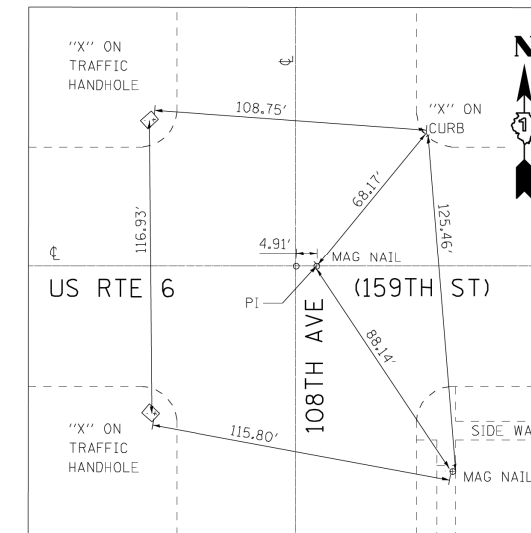
**POT - WOLF RD**

**PROJECT ENDS**

SET MAG NAIL

N 1799235.221

E 1105063.032



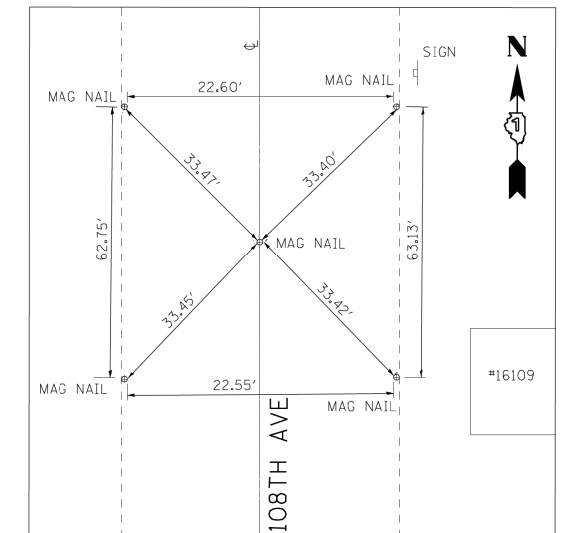
**STA. 355 + 27.85**

**PI**

SET MAG NAIL

N 1797464.497

E 1107748.899



**STA. 3 + 00.00**

**POT - 108TH AVE**

**PROJECT BEGINS**

SET MAG NAIL

N 1795764.943

E 1107788.858

FILE NAME = P:\2011\MS11017\_PTB157.5\_IL7\_US6\_159th\_Lechner\CADD\Shets\43-D160L72-sh1-align\_04.dgn  
 PLOT SCALE = 1"=40'  
 USER NAME =



2600 Warrenville Road, Suite 203, Downers Grove, IL 60515-1761  
 630.705.0110 voice, 630.839.2566 fax  
 www.mps-il.com

**MILLENNIA PROFESSIONAL SERVICES**

DESIGNED - TVN  
 DRAWN - CJD  
 CHECKED - RPD  
 DATE - 2/10/2014

REVISED -  
 REVISED -  
 REVISED -  
 REVISED -

**STATE OF ILLINOIS  
 DEPARTMENT OF TRANSPORTATION**

**US RTE 6 (159TH STREET)  
 ALIGNMENT, TIES AND BENCHMARKS**

SCALE: SHEET NO. 4 OF 5 SHEETS

F.A.P. RTE. 315	SECTION 2014-01ODTR	COUNTY COOK	TOTAL SHEETS 207	SHEET NO. 37
CONTRACT NO. 60X92				
FED. ROAD DIST. NO. 1 ILLINOIS FED. AID PROJECT				

P:\2011\MS11017\_PTB157.5\_IL7\_US6\_159th\_Lechner\CADD\Shets\43-D160L72-sh1-align\_04.dgn