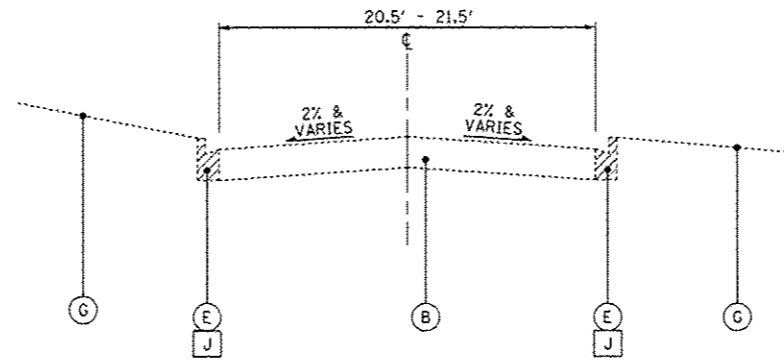


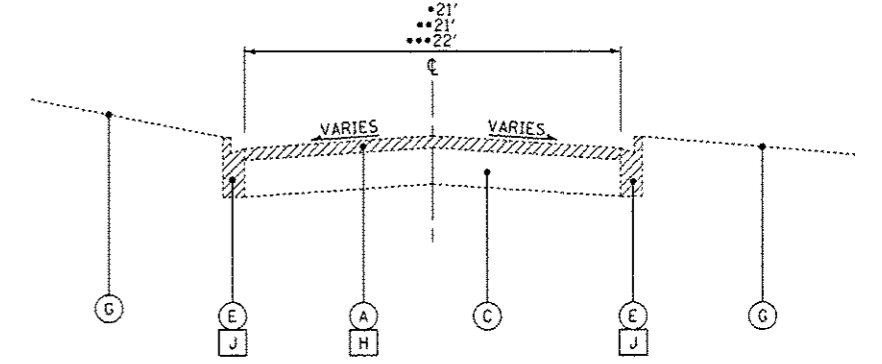
**EXISTING TYPICAL SECTION**

ROAD 1  
STA 107+75 TO STA 111+53



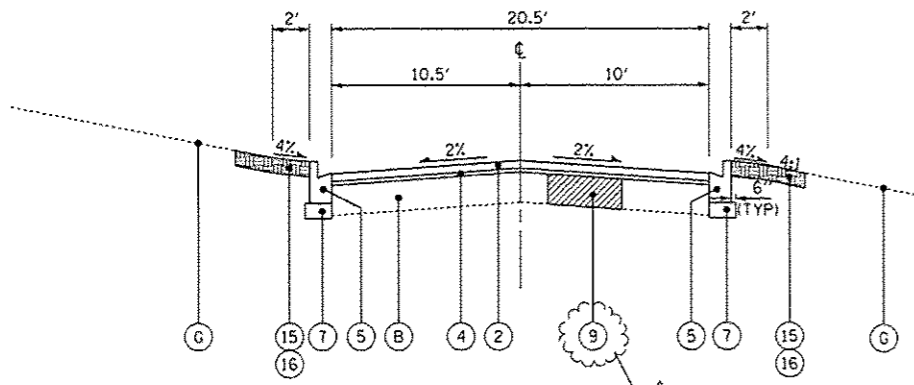
**EXISTING TYPICAL SECTION**

ROAD 1  
STA 111+53 TO STA 114+24



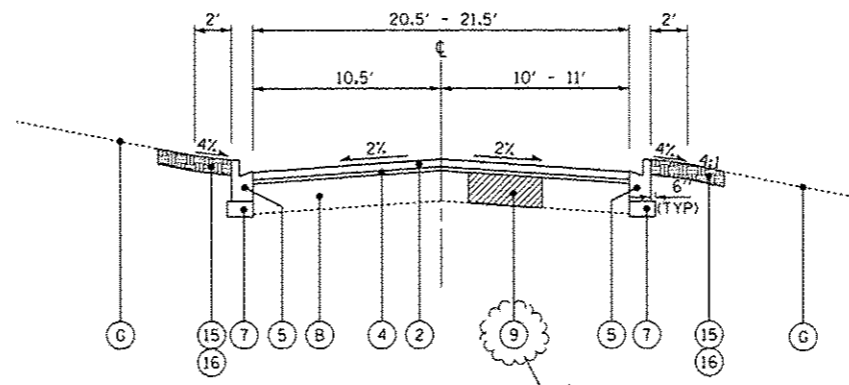
**EXISTING TYPICAL SECTION**

•• ROAD 1 STA 114+29 TO STA 117+22  
 ••• ROAD 4 STA 406+42 TO STA 409+75  
 • ROAD 4 STA 409+75 TO STA 412+27



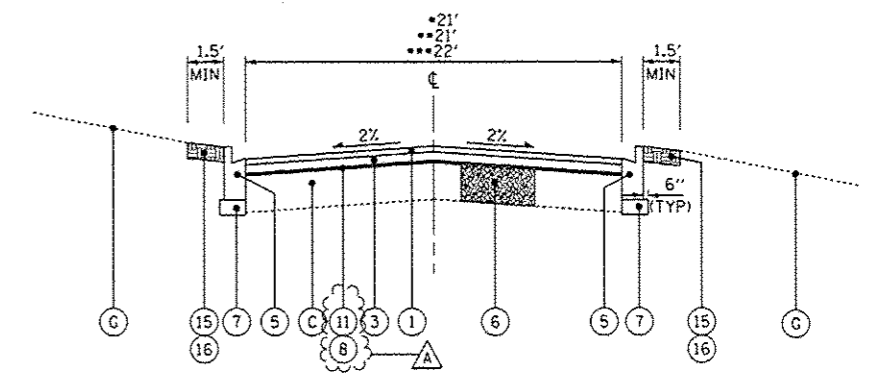
**PROPOSED TYPICAL SECTION**

ROAD 1  
STA 107+75 TO STA 111+53



**PROPOSED TYPICAL SECTION**

ROAD 1  
STA 111+53 TO STA 114+24



**PROPOSED TYPICAL SECTION**

•• ROAD 1 STA 114+29 TO STA 117+22  
 ••• ROAD 4 STA 406+42 TO STA 409+75  
 • ROAD 4 STA 409+75 TO STA 412+27

**EXISTING LEGEND**

- (A) EXISTING HMA SURFACE - 1 1/2" - 2 1/2"
- (AA) EXISTING HMA SURFACE - 4"
- (B) EXISTING PCC PAVEMENT - 6"
- (C) EXISTING AGGREGATE BASE - 1" - 8"
- (D) EXISTING CURB
- (E) EXISTING CURB AND GUTTER
- (F) EXISTING AGGREGATE SHOULDER - 3"± (WHERE IT EXISTS)
- (G) EXISTING GROUND
- (H) HOT-MIX ASPHALT SURFACE REMOVAL - 2"
- (I) CURB REMOVAL
- (J) COMBINATION CURB AND GUTTER REMOVAL
- (K) PAVEMENT REMOVAL
- (Hatched) ITEM TO BE REMOVED

**PROPOSED LEGEND**

- (1) HOT-MIX ASPHALT SURFACE COURSE, MIX "D", N50 - 1 1/2"
- (2) HOT-MIX ASPHALT SURFACE COURSE, MIX "D", N50 - 2"
- (3) HOT-MIX ASPHALT BINDER COURSE, IL-19.0, N50 - 2 1/4"
- (4) LEVELING BINDER (MACHINE METHOD), N50 - 1"
- (5) COMBINATION CONCRETE CURB AND GUTTER, TYPE B-6.12
- (6) BASE COURSE REMOVAL (SPECIAL) AND AGGREGATE BASE COURSE, TYPE B (AS DETERMINED BY THE ENGINEER)
- (7) AGGREGATE BASE COURSE, TYPE B - 4"
- (8) AGGREGATE BASE COURSE, TYPE B (±1")
- (9) CLASS D PATCHES - 6" (AS DETERMINED BY THE ENGINEER)
- (10) CLASS D PATCHES - 4" (AS DETERMINED BY THE ENGINEER)
- (11) PREPARATION OF BASE
- (12) GRADING AND SHAPING SHOULDERS
- (13) AGGREGATE WEDGE SHOULDER, TYPE B
- (14) PORTLAND CEMENT CONCRETE SURFACE REMOVAL - BUTT JOINT
- (15) TOPSOIL FURNISH AND PLACE, 4"
- (16) SEEDING, CLASS 1A

NOTE:  
THE CONTRACTOR SHALL MILL FIRST BEFORE PATCHING.

HOT-MIX ASPHALT MIXTURE REQUIREMENTS		QUALITY MANAGEMENT PROGRAM (QMP)
MIXTURE TYPE	AIR VOIDS Ndes	
HOT-MIX ASPHALT SURFACE COURSE, MIX "D", N50 (IL 9.5mm)	4% @ 50 GYR.	QCP
HOT-MIX ASPHALT BINDER COURSE, IL 19.0 mm, N50	4% @ 50 GYR.	OCP
LEVELING BINDER (MACHINE METHOD), N50	4% @ 50 GYR.	QC/OA
INCIDENTAL HOT-MIX ASPHALT SURFACING (HMA SURFACE 9.5mm)	4% @ 50 GYR.	QC/OA
CLASS D PATCHES (HMA BINDER IL-19 mm) (>4" IN TWO LIFTS)	4% @ 70 GYR.	QC/OA

(QMP DESIGNATIONS): QUALITY CONTROL/QUALITY ASSURANCE (QC/OA); QUALITY CONTROL PERFORMANCE (QCP); PAY FOR PERFORMANCE (PFP)

THE UNIT WEIGHT USED TO CALCULATE ALL HMA SURFACE MIXTURE QUANTITIES IS 112 LBS/SO YD./IN

THE "AC TYPE" FOR POLYMERIZED HMA MIXES SHALL BE SBS/SBR PG 76-22 AND FOR NON-POLYMERIZED HMA THE "AC TYPE" SHALL BE "PG 64-22" UNLESS MODIFIED BY DISTRICT ONE SPECIAL PROVISIONS. FOR USE OF RECYCLED MATERIALS SEE SPECIAL PROVISIONS. QUALITY MANAGEMENT PROGRAM (QMP) IDENTIFIES THE PARTICULAR QUALITY CONTROL SPECIFICATION THAT APPLIES TO THE HMA MIXTURE

COPYRIGHT © 2014 BY BAXTER & WOODMAN, INC.  
 STATE OF ILLINOIS - PROFESSIONAL DESIGN FIRM  
 LICENSE NO. - 884-00120 - EXPIRES 4/30/2015  
 2304 S  
 5/23/2014

DESIGNED - DSH	REVISED - A 5-23-14
DRAWN - UKB	REVISED -
CHECKED - LDH	REVISED -
DATE - 05-06-14	FILE - 140183.W0-1-TypSect.dgn

STATE OF ILLINOIS  
DEPARTMENT OF TRANSPORTATION

ILLINOIS YOUTH CENTER - ST. CHARLES  
EXISTING AND PROPOSED TYPICAL SECTIONS

F.A. RTE.	SECTION	COUNTY	TOTAL SHEETS	SHEET NO.
347	2014-04RS	KANE	25	7
C-91-374-14			CONTRACT NO. 60Y37	
FED. ROAD DIST. NO. 1 [ILLINOIS] FED. AID PROJECT				

SCALE: NONE STA. TO STA.