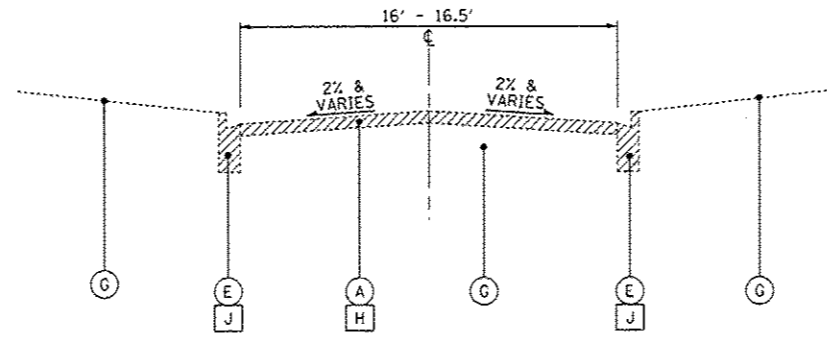


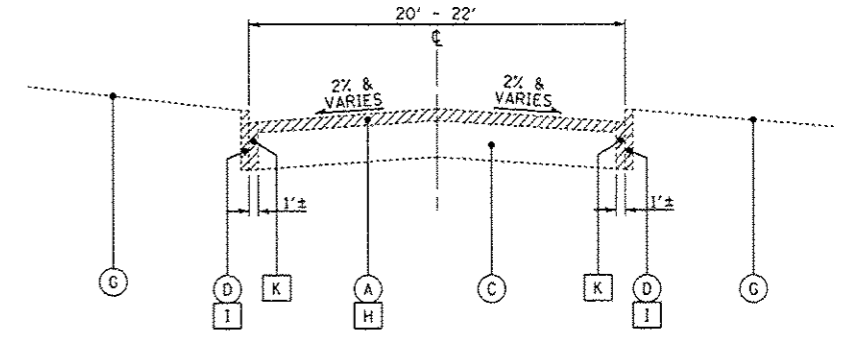
EXISTING TYPICAL SECTION

ROAD 2
STA 200+10 TO STA 200+58
STA 201+18 TO STA 206+21



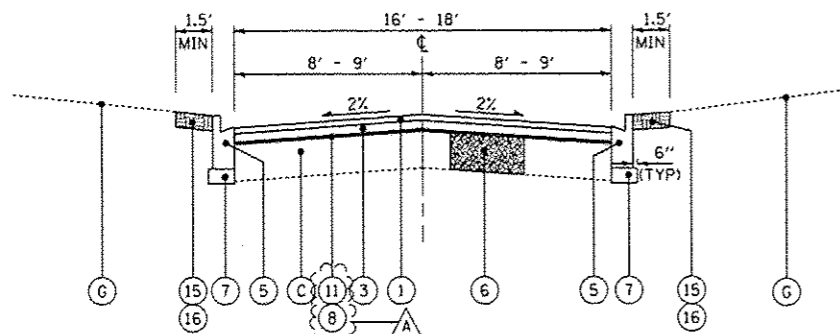
EXISTING TYPICAL SECTION

ROAD 2
STA 200+58 TO STA 201+18



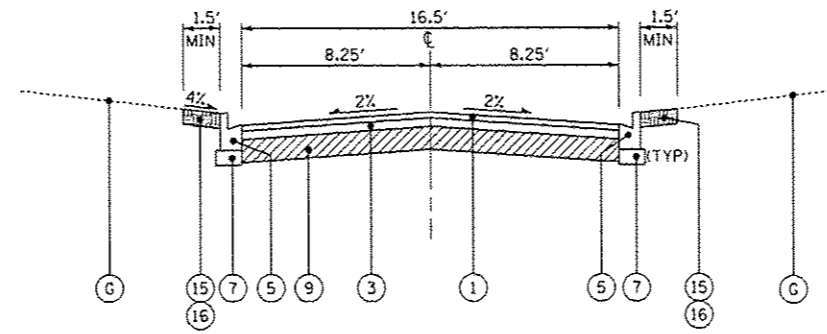
EXISTING TYPICAL SECTION

ROAD 2
STA 206+27 TO STA 207+91



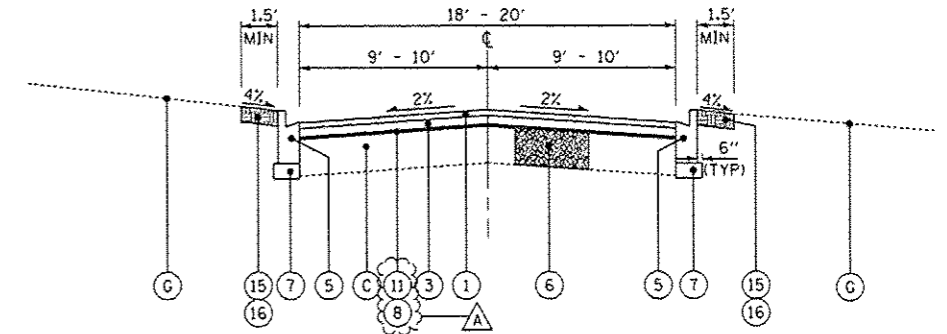
PROPOSED TYPICAL SECTION

ROAD 2
STA 200+10 TO STA 200+58
STA 201+18 TO STA 206+21



PROPOSED TYPICAL SECTION

ROAD 2
STA 200+58 TO STA 201+18



PROPOSED TYPICAL SECTION

ROAD 2
STA 206+27 TO STA 207+91

EXISTING LEGEND

- (A) EXISTING HMA SURFACE - 1 1/2" - 2 1/2"
- (AA) EXISTING HMA SURFACE - 4"
- (B) EXISTING PCC PAVEMENT - 6"
- (C) EXISTING AGGREGATE BASE - 1" - 8"
- (D) EXISTING CURB
- (E) EXISTING CURB AND GUTTER
- (F) EXISTING AGGREGATE SHOULDER - 3"± (WHERE IT EXISTS)
- (G) EXISTING GROUND
- (H) HOT-MIX ASPHALT SURFACE REMOVAL - 2"
- (I) CURB REMOVAL
- (J) COMBINATION CURB AND GUTTER REMOVAL
- (K) PAVEMENT REMOVAL
- (Hatched) ITEM TO BE REMOVED

PROPOSED LEGEND

- (1) HOT-MIX ASPHALT SURFACE COURSE, MIX "D", N50 - 1 1/2"
- (2) HOT-MIX ASPHALT SURFACE COURSE, MIX "D", N50 - 2"
- (3) HOT-MIX ASPHALT BINDER COURSE, IL-19.0, N50 - 2 1/4"
- (4) LEVELING BINDER (MACHINE METHOD), N50 - 1"
- (5) COMBINATION CONCRETE CURB AND GUTTER, TYPE B-6.12
- (6) BASE COURSE REMOVAL (SPECIAL) AND AGGREGATE BASE COURSE, TYPE B (AS DETERMINED BY THE ENGINEER)
- (7) AGGREGATE BASE COURSE, TYPE B - 4"
- (8) AGGREGATE BASE COURSE, TYPE B (±1")
- (9) CLASS D PATCHES - 6" (AS DETERMINED BY THE ENGINEER)
- (10) CLASS D PATCHES - 4" (AS DETERMINED BY THE ENGINEER)
- (11) PREPARATION OF BASE
- (12) GRADING AND SHAPING SHOULDERS
- (13) AGGREGATE WEDGE SHOULDER, TYPE B
- (14) PORTLAND CEMENT CONCRETE SURFACE REMOVAL - BUTT JOINT
- (15) TOPSOIL FURNISH AND PLACE, 4"
- (16) SEEDING, CLASS 1A

COPYRIGHT © 2014 BY BAXTER & WOODMAN, INC.
 ALL RIGHTS RESERVED. THIS DOCUMENT IS THE PROPERTY OF BAXTER & WOODMAN, INC. AND IS NOT TO BE REPRODUCED OR TRANSMITTED IN ANY FORM OR BY ANY MEANS, ELECTRONIC OR MECHANICAL, INCLUDING PHOTOCOPYING, RECORDING, OR BY ANY INFORMATION STORAGE AND RETRIEVAL SYSTEM.
 LICENSE NO. 187-00231 - EXPIRES 4/30/2015
 23JND
 5/23/2016
 2:04 PM
 \\C:\system\leko\140183\W0-1-TypSect.dgn

BAXTER & WOODMAN

DESIGNED - DSH	REVISED - A 5-23-14
DRAWN - UKB	REVISED -
CHECKED - LDH	REVISED -
DATE - 05-06-14	FILE - 140183.W0-1-TypSect.dgn

STATE OF ILLINOIS
DEPARTMENT OF TRANSPORTATION

ILLINOIS YOUTH CENTER - ST. CHARLES
EXISTING AND PROPOSED TYPICAL SECTIONS

SCALE: NONE

STA. TO STA.

F.A. RTE.	SECTION	COUNTY	TOTAL SHEETS	SHEET NO.
347	2014-04RS	KANE	25	8
C-91-374-14			CONTRACT NO. 60Y37	
FED. ROAD DIST. NO. 1 ILLINOIS FED. AID PROJECT				