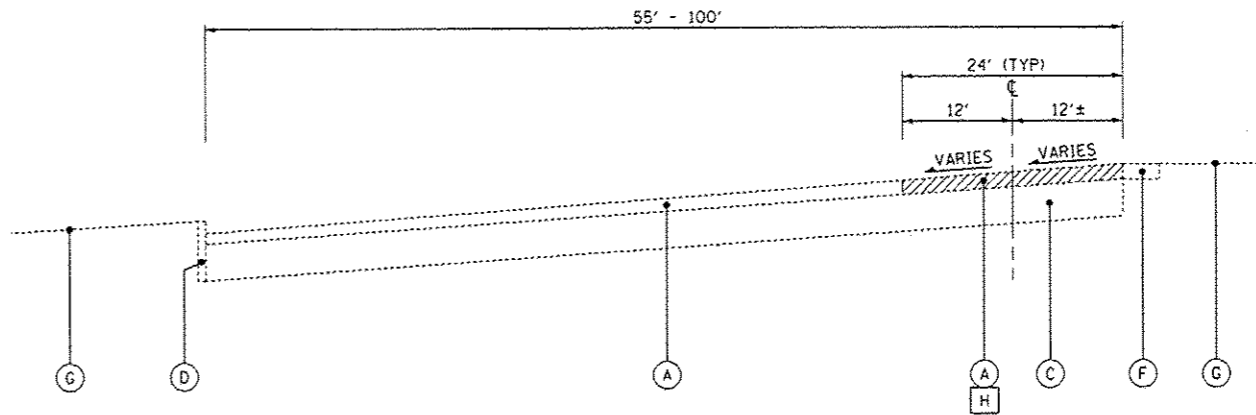
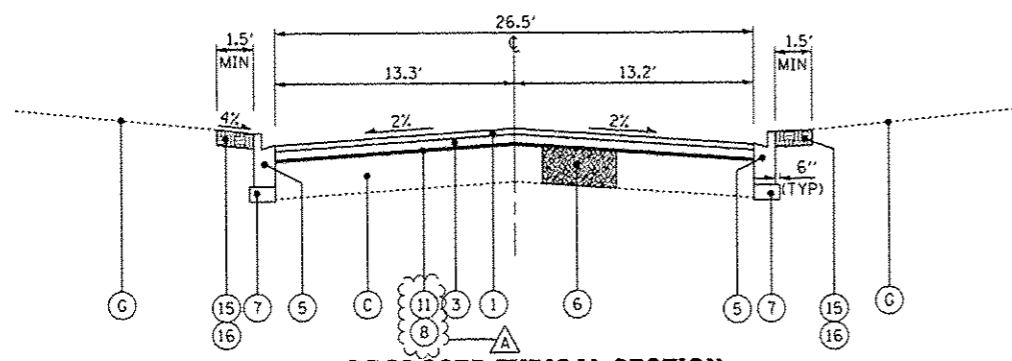


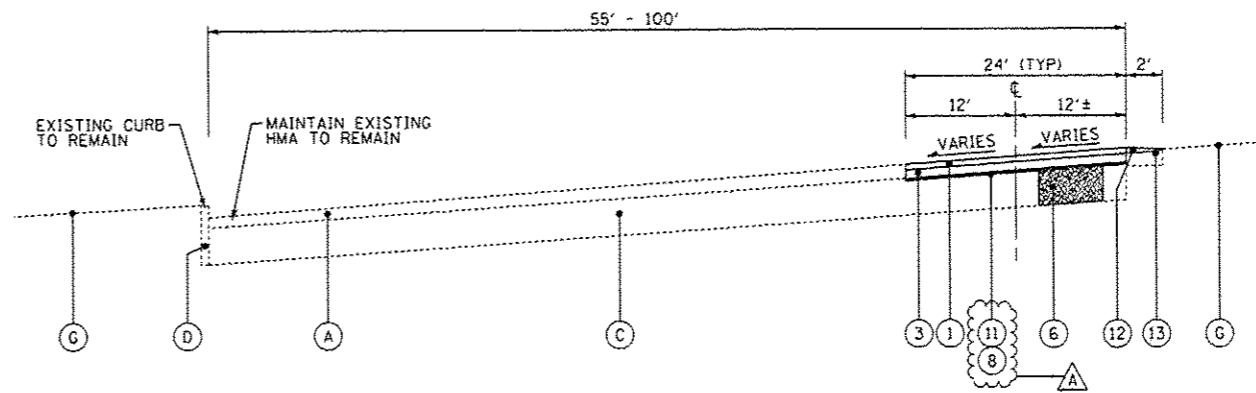
**EXISTING TYPICAL SECTION**  
ROAD 3  
STA 300+10 TO STA 305+61



**EXISTING TYPICAL SECTION**  
ROAD 4  
STA 412+27 TO STA 414+93



**PROPOSED TYPICAL SECTION**  
ROAD 3  
STA 300+10 TO STA 305+61



**PROPOSED TYPICAL SECTION**  
ROAD 4  
STA 412+27 TO STA 414+93

**EXISTING LEGEND**

- (A) EXISTING HMA SURFACE - 1 1/2" - 2 1/2"
- (AA) EXISTING HMA SURFACE - 4"
- (B) EXISTING PCC PAVEMENT - 6"
- (C) EXISTING AGGREGATE BASE - 1" - 8"
- (D) EXISTING CURB
- (E) EXISTING CURB AND GUTTER
- (F) EXISTING AGGREGATE SHOULDER - 3"± (WHERE IT EXISTS)
- (G) EXISTING GROUND
- (H) HOT-MIX ASPHALT SURFACE REMOVAL - 2"
- (I) CURB REMOVAL
- (J) COMBINATION CURB AND GUTTER REMOVAL
- (K) PAVEMENT REMOVAL
- [Hatched] ITEM TO BE REMOVED

**PROPOSED LEGEND**

- (1) HOT-MIX ASPHALT SURFACE COURSE, MIX "D", N50 - 1 1/2"
- (2) HOT-MIX ASPHALT SURFACE COURSE, MIX "D", N50 - 2"
- (3) HOT-MIX ASPHALT BINDER COURSE, IL-19.0, N50 - 2 1/4"
- (4) LEVELING BINDER (MACHINE METHOD), N50 - 1"
- (5) COMBINATION CONCRETE CURB AND GUTTER, TYPE B-6.12
- (6) BASE COURSE REMOVAL (SPECIAL) AND AGGREGATE BASE COURSE, TYPE B (AS DETERMINED BY THE ENGINEER)
- (7) AGGREGATE BASE COURSE, TYPE B - 4"
- (8) AGGREGATE BASE COURSE, TYPE B (±1")
- (9) CLASS D PATCHES - 6" (AS DETERMINED BY THE ENGINEER)
- (10) CLASS D PATCHES - 4" (AS DETERMINED BY THE ENGINEER)
- (11) PREPARATION OF BASE
- (12) GRADING AND SHAPING SHOULDERS
- (13) AGGREGATE WEDGE SHOULDER, TYPE B
- (14) PORTLAND CEMENT CONCRETE SURFACE REMOVAL - BUTT JOINT
- (15) TOPSOIL FURNISH AND PLACE, 4"
- (16) SEEDING, CLASS 1A

COPYRIGHT © 2014 BY BAXTER & WOODMAN, INC.  
 STATE OF ILLINOIS - PROFESSIONAL DESIGN FIRM  
 LICENSE NO. - 84-00027 EXPIRES 6/30/2015  
 2500 N  
 ...\\dotr\apps\dotr\Bn\_Def\out\Bn...  
 ...\\dotr\apps\dotr\Bn\_Def\out\Bn...  
 ...\\dotr\apps\dotr\Bn\_Def\out\Bn...

DESIGNED - DSH	REVISED - A 5-23-14
DRAWN - LKB	REVISED -
CHECKED - LDH	REVISED -
DATE - 05-06-14	FILE - 140183.W0-1-TypSect.dgn

STATE OF ILLINOIS  
DEPARTMENT OF TRANSPORTATION

ILLINOIS YOUTH CENTER - ST. CHARLES		F.A. RTE.	SECTION	COUNTY	TOTAL SHEETS	SHEET NO.
EXISTING AND PROPOSED TYPICAL SECTIONS		347	2014-04RS	KANE	25	9
SCALE: NONE		C-91-374-14		CONTRACT NO. 60Y37		
STA. TO STA.		FED. ROAD DIST. NO. 1 ILLINOIS FED. AID PROJECT				