

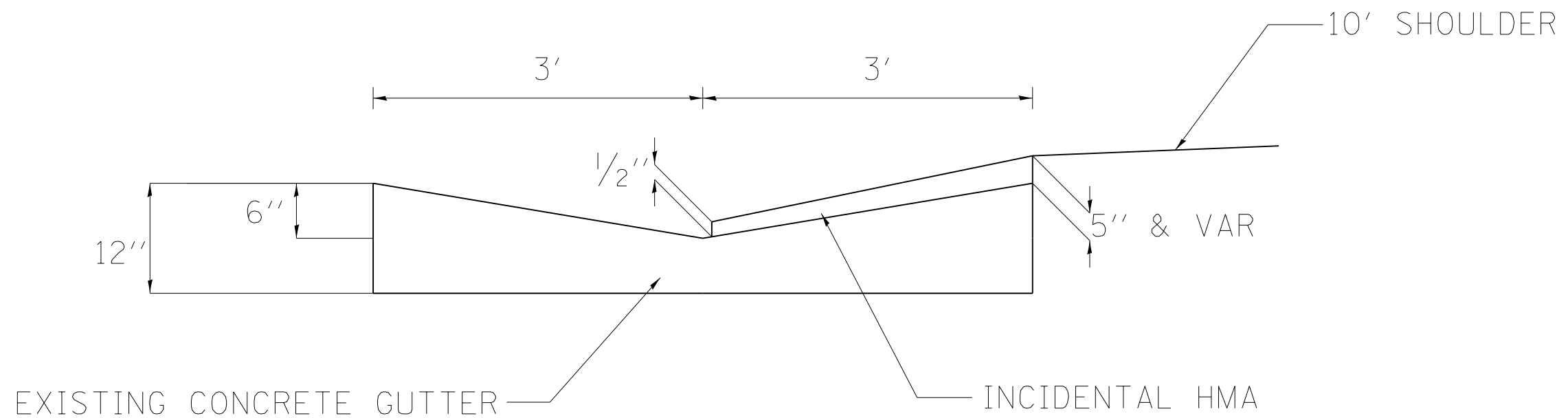
# INCIDENTAL HOT-MIX ASPHALT SURFACING

## WESTBOUND

STA 87+13 - 87+53  
 STA 183+31 - 183+79  
 STA 255+97 - 256+55  
 STA 299+35 - 300+45  
 STA 370+97 - 371+32  
 STA 435+88 - 436+28  
 STA 540+96 - 541+93  
 STA 560+28 - 560+85  
 STA 633+90 - 634+28  
 STA 703+50 - 704+14

## EASTBOUND

STA 86+95 - 87+35  
 STA 183+30 - 183+78  
 STA 254+50 - 255+08  
 STA 300+91 - 302+01  
 STA 370+97 - 371+32  
 STA 435+88 - 436+28  
 STA 560+04 - 560+61  
 STA 632+96 - 633+34  
 STA 705+39 - 706+03



FILE NAME =	USER NAME = diaza	DESIGNED -	REVISED -	<b>STATE OF ILLINOIS DEPARTMENT OF TRANSPORTATION</b>	<b>HMA TAPER UNDER STRUCTURES DETAIL</b>	F.A.I. RTE.	SECTION	COUNTY	TOTAL SHEETS	SHEET NO.
D:\Projects\Rock_Island\64065.I-88_Cold Milling, pavement patching & HMA resurfacing	DRAWN to the Whiteside Co. Line\Maris	REVISED	REVISED			88	(161-1)RS-1	ROCK ISLAND	104	90
Default	PLOT DATE = Wed Mar 19 11:19:16 2014	CHECKED -	REVISED -			CONTRACT NO. 64065				

SCALE: SHEET OF SHEETS STA. TO STA.

ILLINOIS FED. AID PROJECT