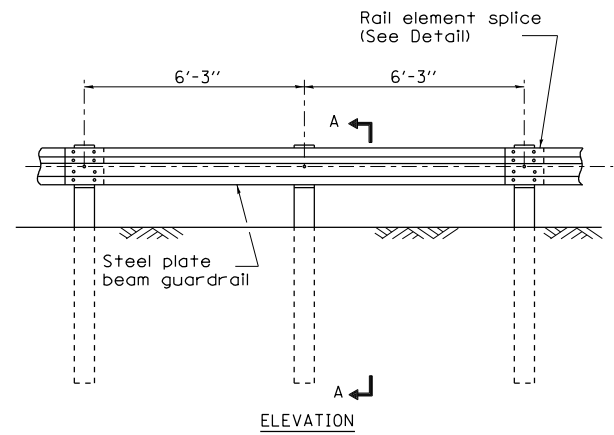
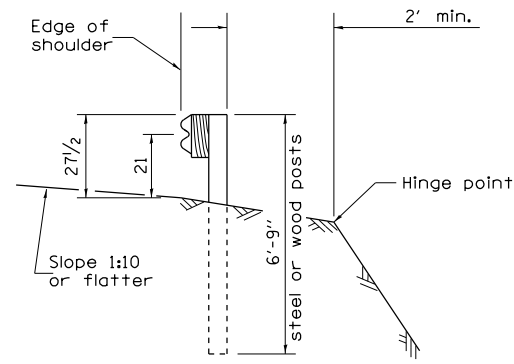


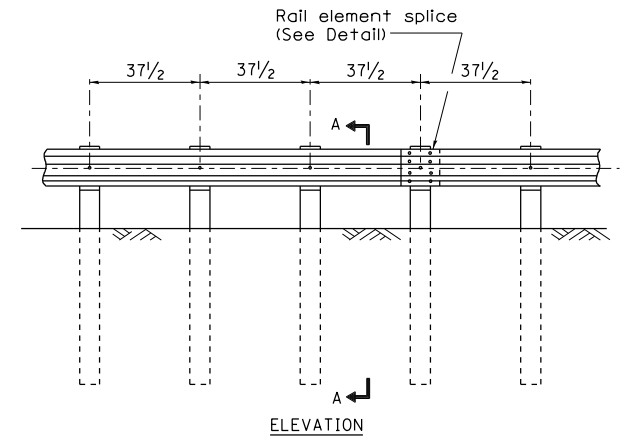
REMOVE AND REERECT STEEL PLATE BEAM GUARDRAIL



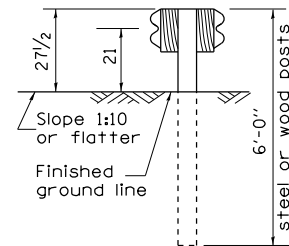
TYPE A
6'-3" Typical post spacing



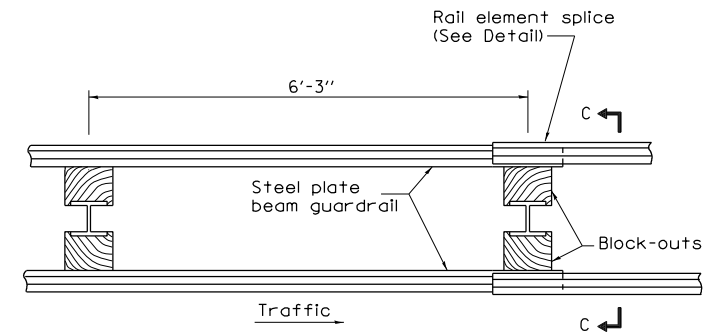
SECTION A-A



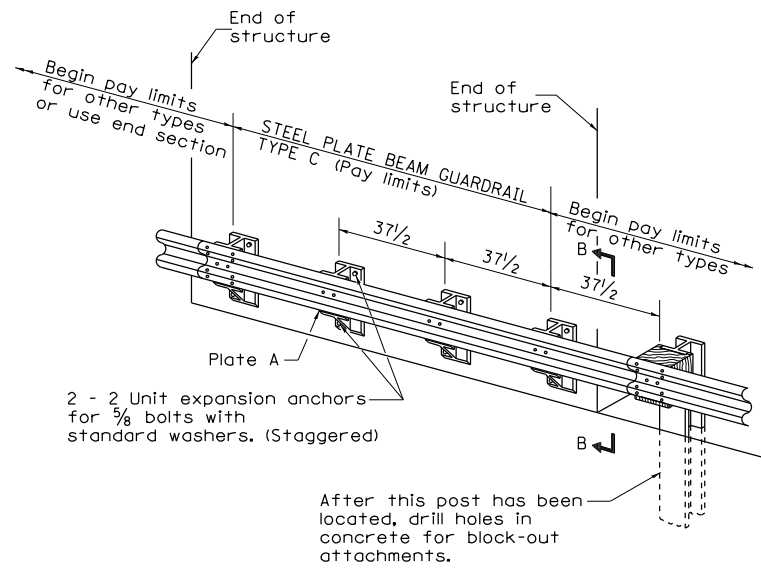
TYPE B
37 1/2 Closed post spacing



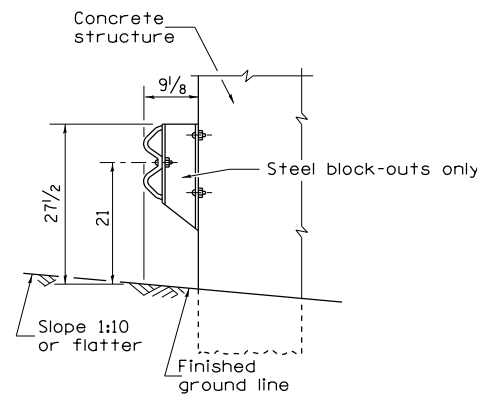
SECTION C-C



TYPE D
Double steel plate beam guardrail
6'-3" typical post spacing



TYPE C
37 1/2 Block-out spacing



SECTION B-B

GENERAL NOTES

All slope ratios are expressed as units of vertical displacement to units of horizontal displacement (V:H).
All dimensions are in inches unless otherwise shown.
The existing steel posts may be drilled to match the bolt pattern shown herein for the wood block-out, or a new steel post shall be provided.
This detail is applicable to the guardrail system used prior to January 1, 2007. For details on the Midwest Guardrail System, see Standard 630001.

FILE NAME =	USER NAME = diaza	DESIGNED -	REVISED - 10-18-11
D:\Projects\Rock_Island\64065-I-88_Cold Milling, pavement patching & HMA resurfacing	DRAWN to the Whiteside Co. Line\Mari's	CHECKED -	REVISED -
PLOT SCALE = 100.0000' / in.	DATE -	REVISOR -	REVISED -
PLOT DATE = Wed Mar 19 11:25:30 2014	DATE -	REVISOR -	REVISED -

STATE OF ILLINOIS
DEPARTMENT OF TRANSPORTATION

REGION 2 / DISTRICT 2 STANDARD

SCALE: SHEET NO. OF SHEETS STA. TO STA.

F.A.I. R.T.E.	SECTION	COUNTY	TOTAL SHEETS	SHEET NO.
88	(161-1) RS-1	ROCK ISLAND	104	101
FED. ROAD DIST. NO. ILLINOIS FED. AID PROJECT			CONTRACT NO. 64065	