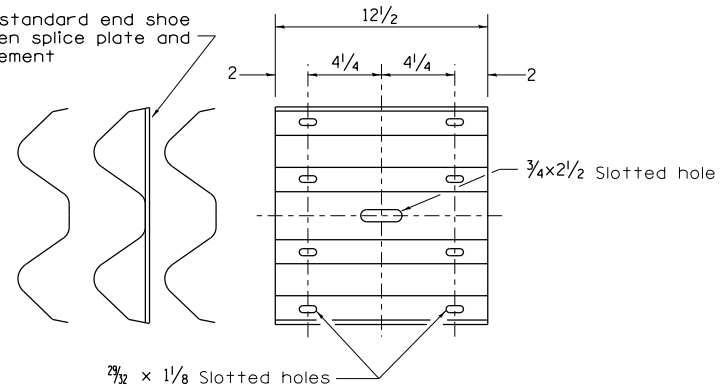
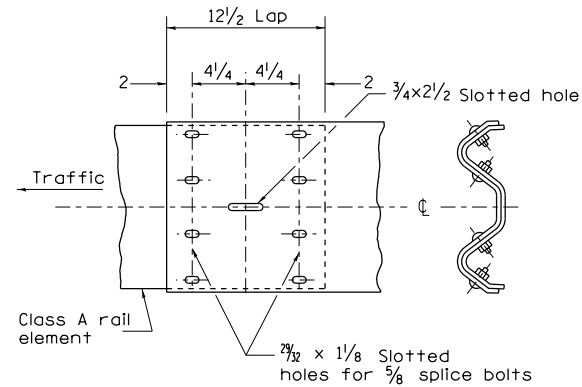


REMOVE AND REERECT STEEL PLATE BEAM GUARDRAIL

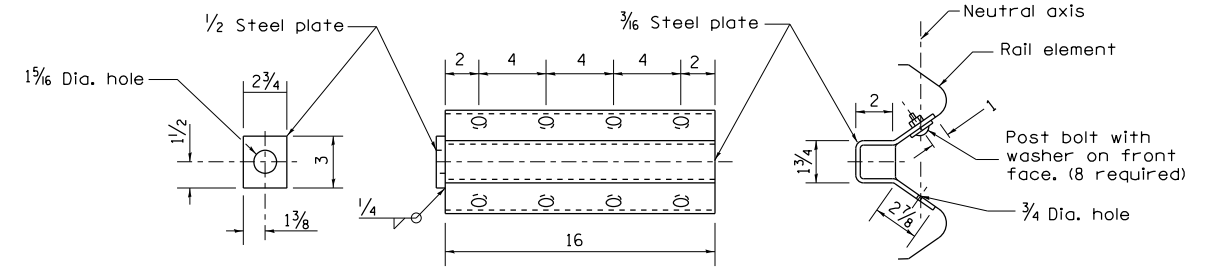
Place standard end shoe between splice plate and rail element



SPLICE PLATE

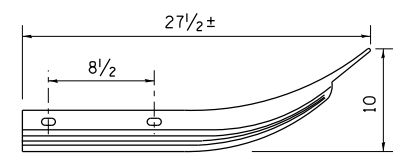


RAIL ELEMENT SPLICE

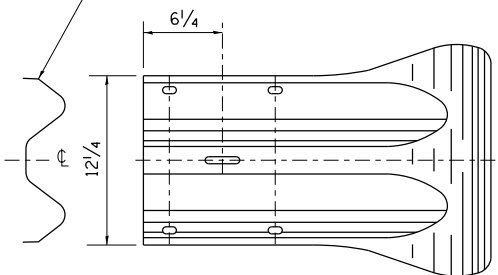


NOTE
Anchor plate T shall be used to attach cable assembly to guardrail when required on traffic barrier terminals.

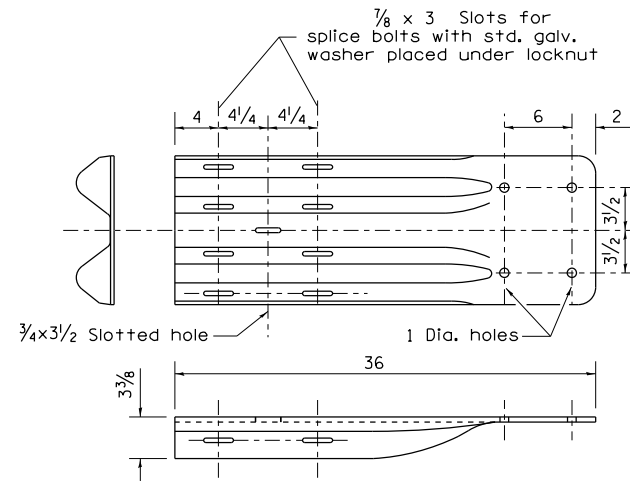
ANCHOR PLATE T DETAILS



Class A rail element



END SECTION



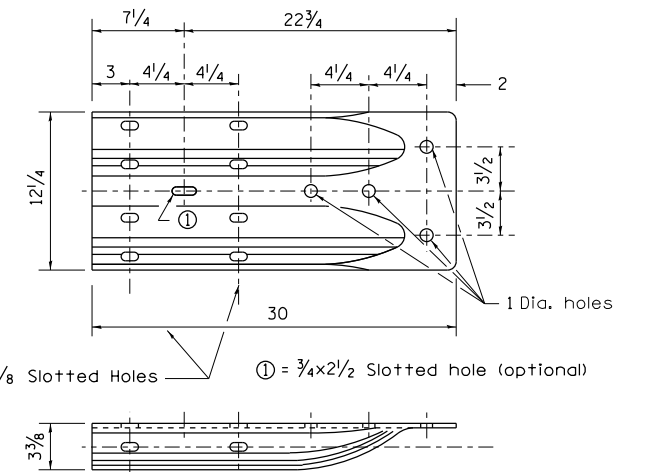
NOTE

When end shoe is attached to a bridge parapet which has an expansion joint, the bolts shall be provided with a locknut or double nut and shall be tightened only to a point that will allow guardrail movement.

The standard end shoe shall be attached to the concrete with pre-drilled or self-drilling anchor bolts. The anchor cone shall be set flush with the surface of the concrete.

Externally threaded studs protruding from the surface of the concrete will not be permitted.

END SHOE



ALTERNATE END SHOE

FILE NAME =	USER NAME = diaza	DESIGNED -	REVISED - 10-18-11
D:\Projects\Rock_Island\64065-I-88_Cold Milling, pavement patching & HMA resurfacing	DRAWN to the Whiteside Co. Line\Mari's	CHECKED -	REVISED -
PLOT SCALE = 100.0000' / in.	DATE -	DATE -	REVISED -
PLOT DATE = Wed Mar 19 11:25:58 2014			

STATE OF ILLINOIS
DEPARTMENT OF TRANSPORTATION

REGION 2 / DISTRICT 2 STANDARD

SCALE: SHEET NO. OF SHEETS STA. TO STA.

F.A.I. RTE. 88	SECTION (161-1) RS-1	COUNTY ROCK ISLAND	TOTAL SHEETS 104	SHEET NO. 103
CONTRACT NO. 64065				
FED. ROAD DIST. NO. ILLINOIS FED. AID PROJECT				