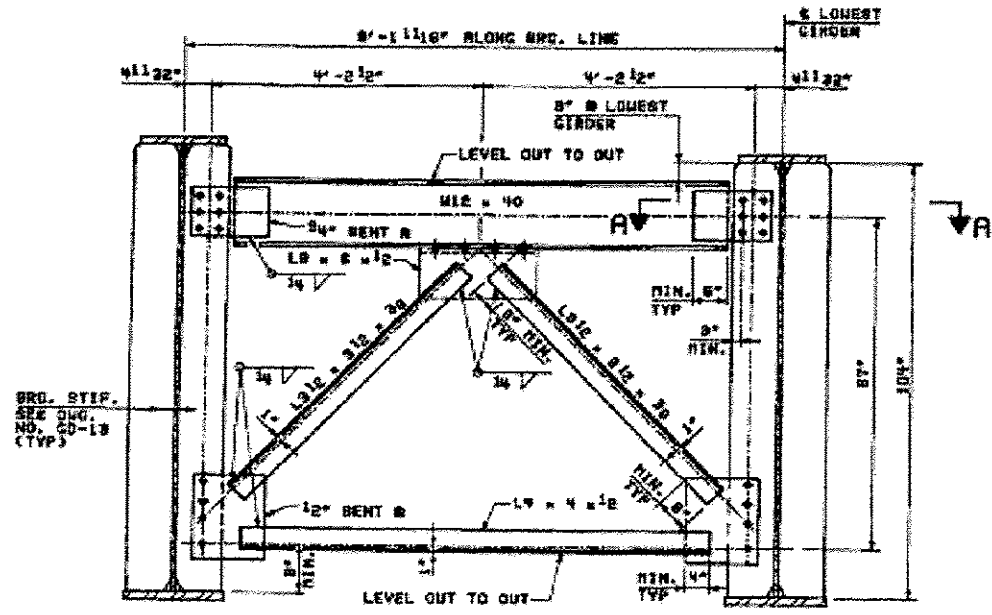


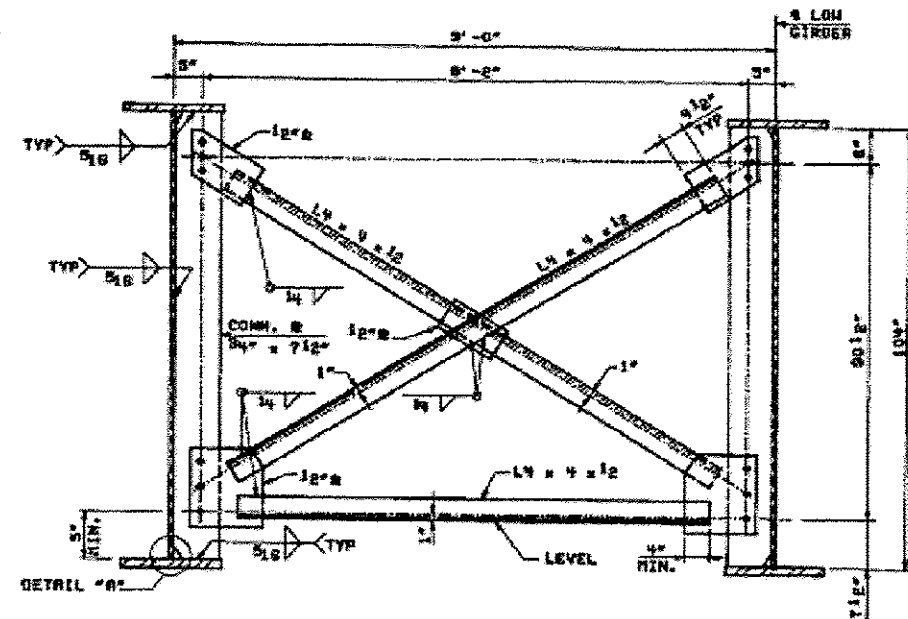
FOR INFORMATION ONLY

SHEET NO. 15 OF 30

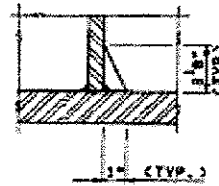
ROUTE NO.	SECT.	COUNTY	SHEET NO.	TOTAL SHEETS
F.R. 742	SRB-1	LEE & OGLE	86	39
FED. ROAD DIST. NO. 7	ILLINOIS FED. AID PROJECT			
STP-8RF-742 (85)				



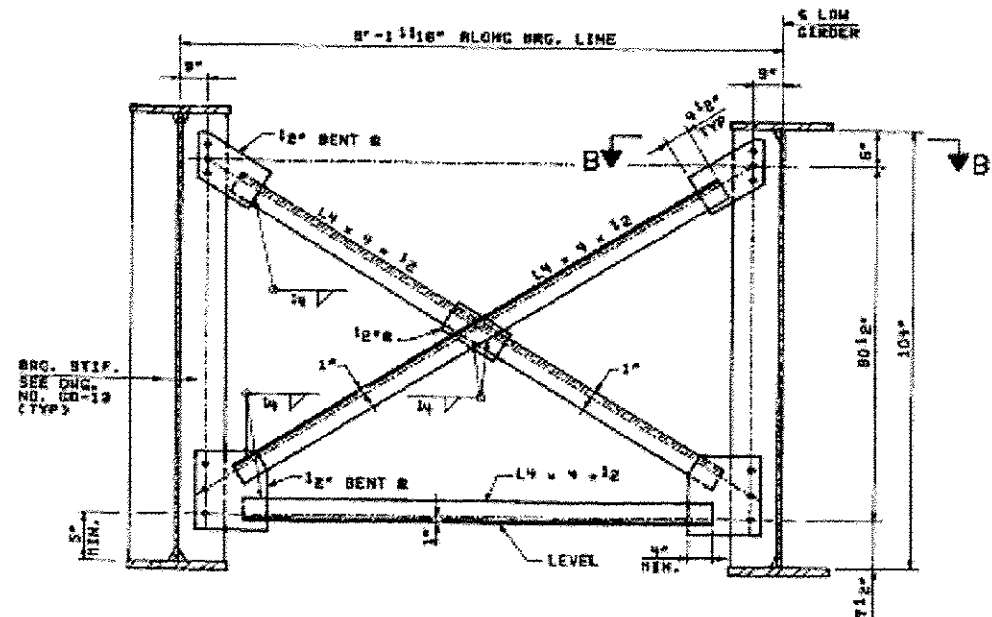
END CROSS FRAME CF - 301
@ S. ABUT. & N. ABUT.
(8 REQUIRED)



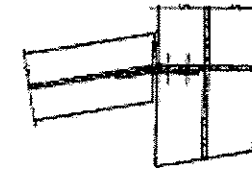
INT. CROSS FRAME CF - 302
(100 REQUIRED)



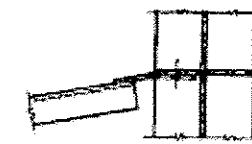
DETAIL "A"



INT. SUPPORT CROSS FRAME CF - 303
@ PIERS 1, 2 & 3
(12 REQUIRED)



SECTION A-A



SECTION B-B

NOTES:

1. PROVIDE 1 1/8" Ø HOLES FOR ALL 7/8" Ø BOLTS.
2. TWO HARDENED WASHERS SHALL BE REQUIRED OVER ALL OVERSIZE HOLES.

REVISION	DATE	DESCRIPTION
STATE OF ILLINOIS DEPARTMENT OF TRANSPORTATION		
CROSS FRAMES		
GRAND DETOUR BRIDGE OVER ROCK RIVER F.R. RTE. 742 SECTION 39R0-1 STA. 1228+96 LEE & OGLE COUNTIES STRUCTURE NUMBER 052-0063		
STEINMAN BOYNTON INC. CONSULTING ENGINEERS - CHICAGO, ILLINOIS		
DRAWING NO. GD-17	SCALE N.T.S.	DATE 4-19-93
		SHEET NO. 39

DESIGNED -	REVISED -
DRAWN -	REVISED -
CHECKED -	REVISED -
DATE -	REVISED -

STATE OF ILLINOIS
DEPARTMENT OF TRANSPORTATION

EXISTING BRIDGE PLANS
SN: 052-0063

F.A.P. RTE.	SECTION	COUNTY	TOTAL SHEETS	SHEET NO.
IL 2 D2 BRIDGE PAINTING 2014-1	LEE / OGLE	25	17	
CONTRACT NO. 64J52				
ILLINOIS				