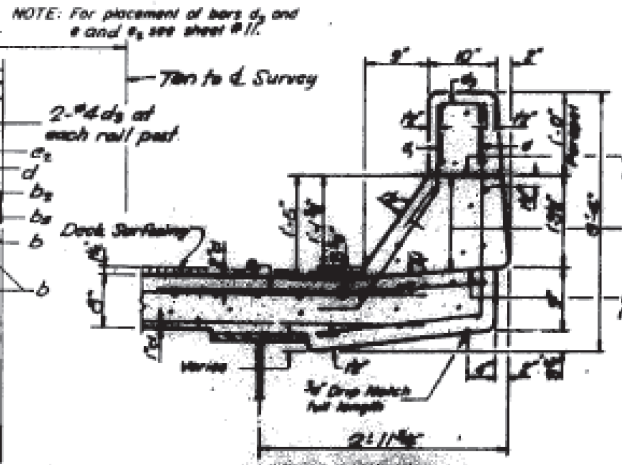
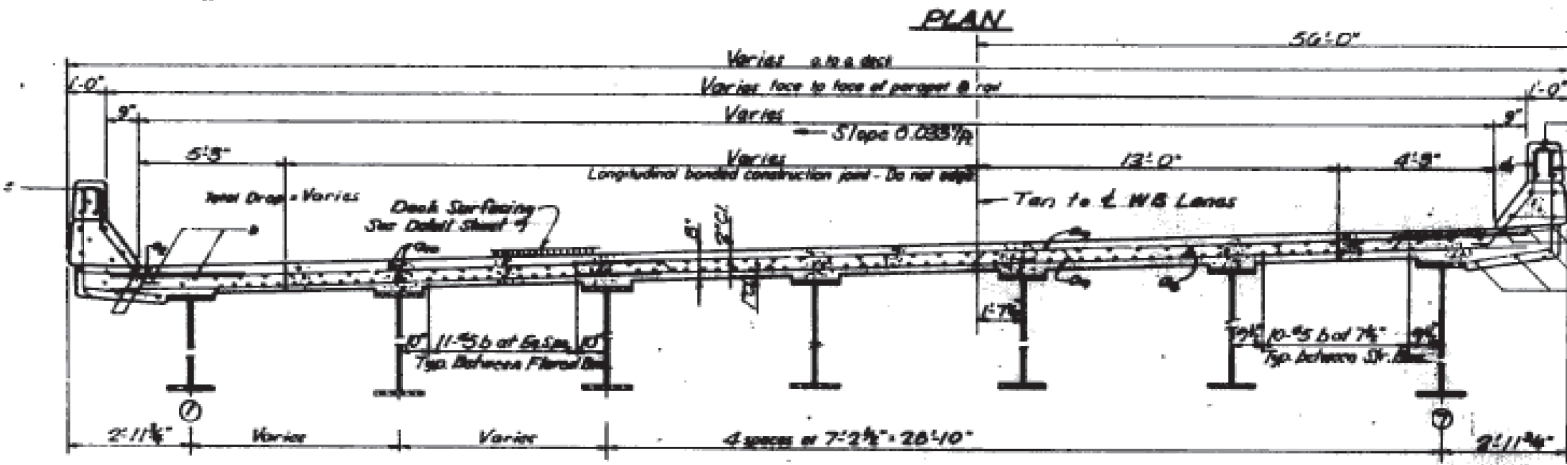
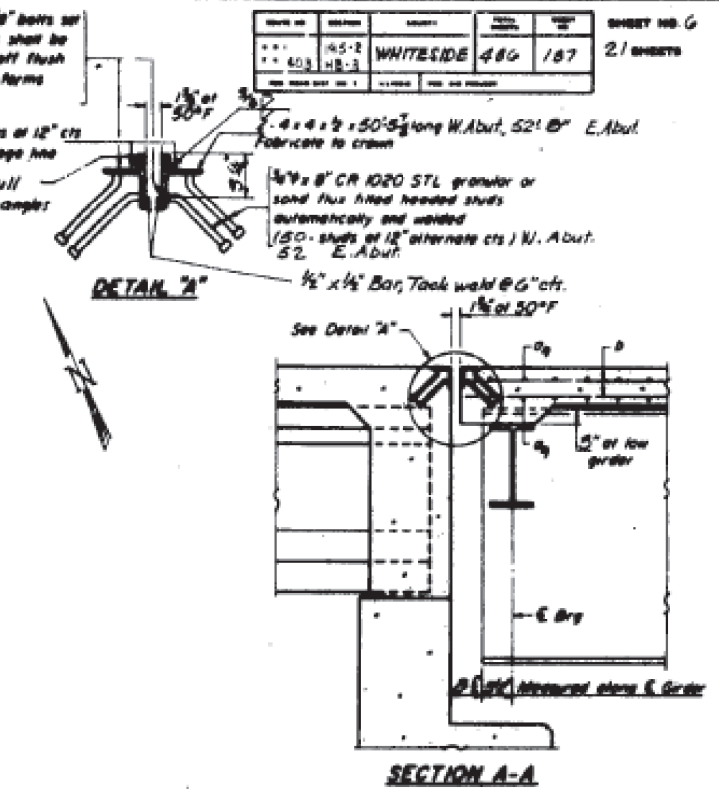
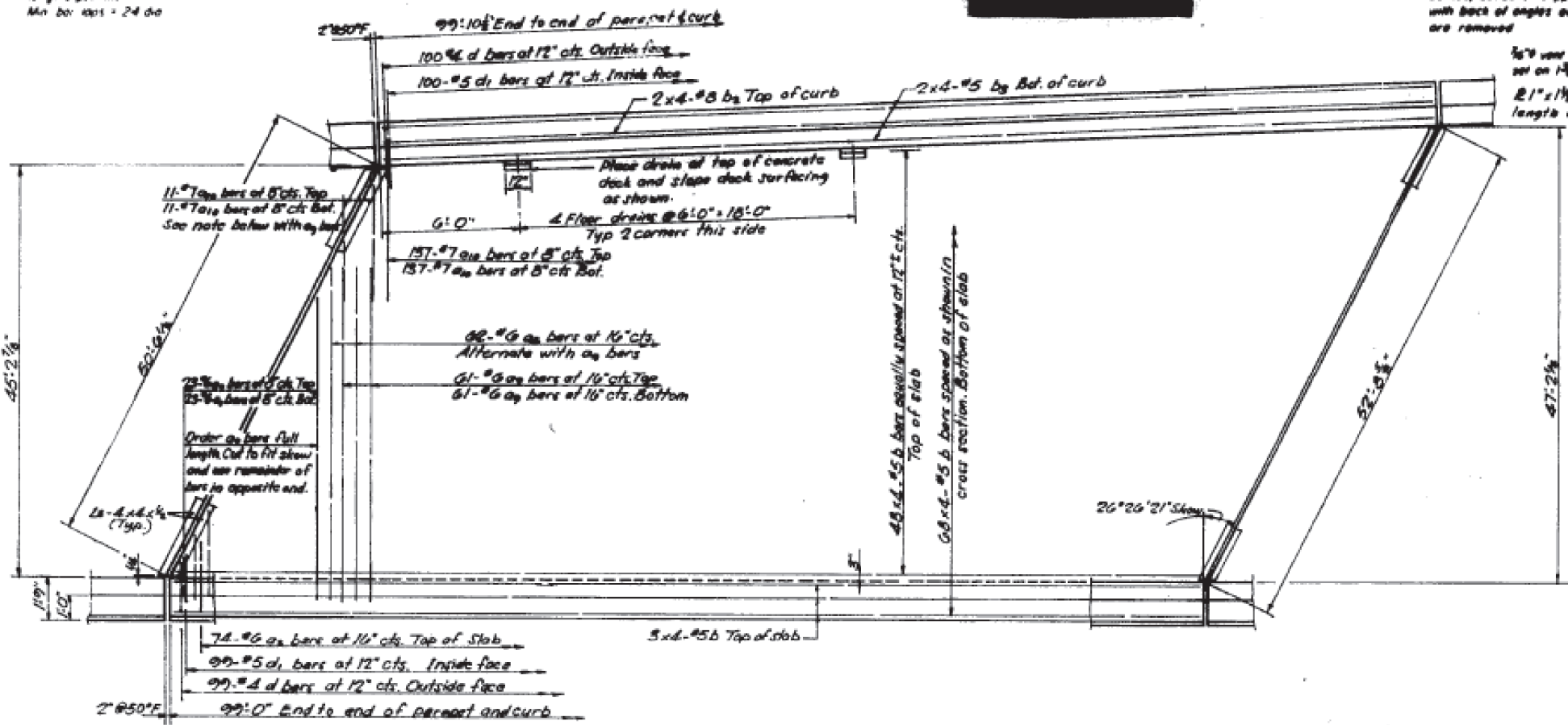


NOTE  
 Bars indicated thus 20 x 3 #5 etc  
 indicates 20 nos. of bars with 3  
 lengths per wt.  
 Min. bar laps = 24 dia

STATE OF ILLINOIS

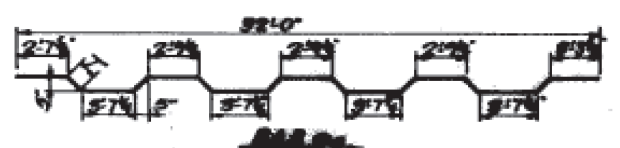
PROJECT NO.	SECTION	COUNTY	TOTAL SHEETS	SHEET NO.
403	NS-2	WHITESIDE	486	187
				21 SHEETS



**BILL OF MATERIAL**

Bar	No.	Size	Length	Weight
a	22	#6	30'-0"	1100
a	100	#6	27'-0"	3300
a	148	#6	4'-0"	140
a	246	#7	18'-5"	1100
b	488	#6	25'-8"	1500
b	16	#6	36'-5"	600
b	16	#6	25'-8"	600
c	100	#6	2'-6"	100
c	140	#6	1'-5"	140
Reinforcement Bars				Lbs 3900
Class II Concrete				Cu Yds 720-8

DESIGNED	C.D.C.
CHECKED	H.M.W.
DRAWN	C.D.C.
CHECKED	H.M.W.



5-586-L-307 4-22-68, 4-2-69

**SUPERSTRUCTURE N.B. BRIDGE**  
 I.A. RTE. 105-SEC. 105-218-3  
 WHITESIDE COUNTY  
 STATION 2188+00.04

DESIGNED	-	REVISED	-
DRAWN	-	REVISED	-
CHECKED	-	REVISED	-
DATE	-	REVISED	-

STATE OF ILLINOIS  
 DEPARTMENT OF TRANSPORTATION

EXISTING  
 BRIDGE PLANS

F.A.I. RTE.	SECTION	COUNTY	TOTAL SHEETS	SHEET NO.
88	D2 BRIDGE PAINTING 2014-5	WHITESIDE	12	10
				CONTRACT NO. 64K12

ILLINOIS