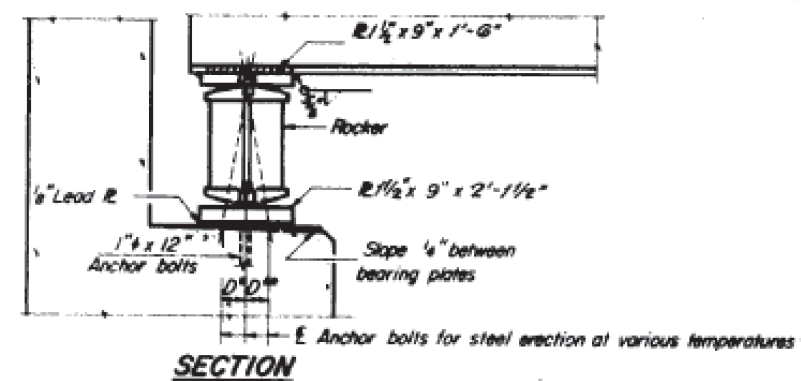
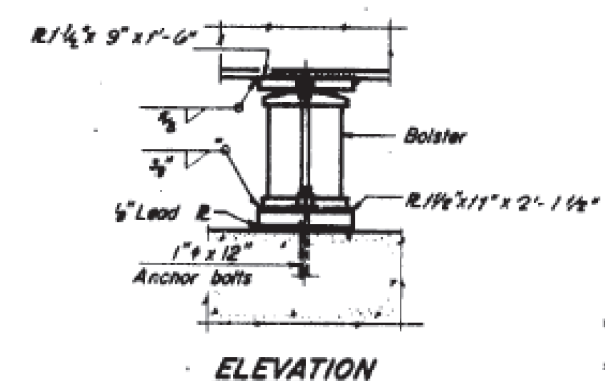


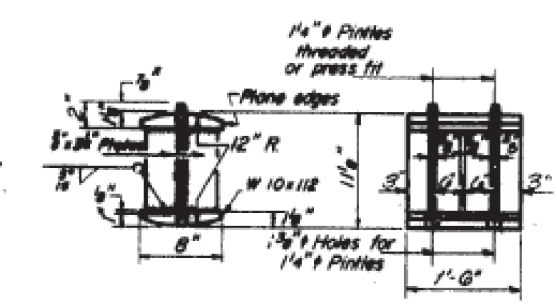
DESIGN NO.	SECTION	COUNTY	TOTAL SHEETS	SHEET NO.
15-2	WHITESIDE	88	104	21
403	NS-3			



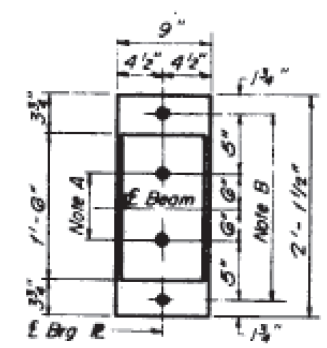
**SECTION**



**ELEVATION**



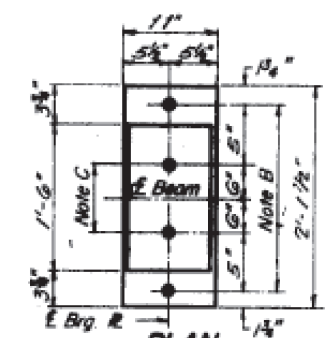
**ROCKER**



**PLAN**

**AT E. ABUTMENT**

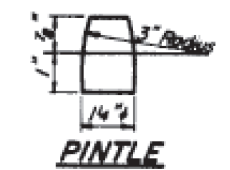
**NOTE A**  
1 1/2" Holes - 1" deep in top R. for pintles Thread or press fit pintles into bottom R.



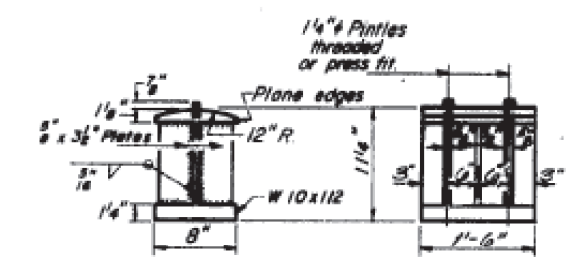
**PLAN**

**AT W. ABUTMENT**

**NOTE B**  
1 1/2" Holes for 1" anchor bolts. 1/2 x 2 1/2 x 2 1/2 R. Washers under nut



**PINTLE**



**BOLSTER**

**NOTE C**  
1 1/2" Holes 1" deep in top R. only for 1 1/4" pintles.

**BEARING ASSEMBLY DETAILS**

**NOTES ON SETTING OF ANCHOR BOLTS AT EXP. BRGS.**

- a) D\* (Side of brg away from fixed brg)  
D\* = 1/8" per each 100' of expansion for every 15° fall below the normal temp. of 50°F
- D\*\* (Side of brg toward fixed brg)  
D\*\* = 1/8" per each 100' of expansion for every 15° rise above the normal temp. of 50°F
- b) After beams have been erected and dimensions D\* or D\*\* determined, holes shall be drilled and anchor bolts shall be grouted in place. All fixed anchor bolts may be built into the masonry.

DESIGNED	H.M.W.	EXAMINED	
CHECKED	C.D.C.	PASSED	
DRAWN	P.G. Barnett & C.D.C.	APPROVED	
CHECKED	H.M.W.		

I-2-B 9-1-65, 8-1-70

**SHOES**  
F.A. RTE. 403 SEC. 105-2 NB-3  
WHITESIDE COUNTY  
STATION 2188+88.04

DESIGNED -	REVISIONS -	STATE OF ILLINOIS DEPARTMENT OF TRANSPORTATION	EXISTING BRIDGE PLANS	F.A.I. RTE.	SECTION	COUNTY	TOTAL SHEETS	SHEET NO.
DRAWN -	REVISIONS -			88	D2 BRIDGE PAINTING 2014-5	WHITESIDE	12	12
CHECKED -	REVISIONS -			CONTRACT NO. 64K12				
DATE -	REVISIONS -			ILLINOIS				