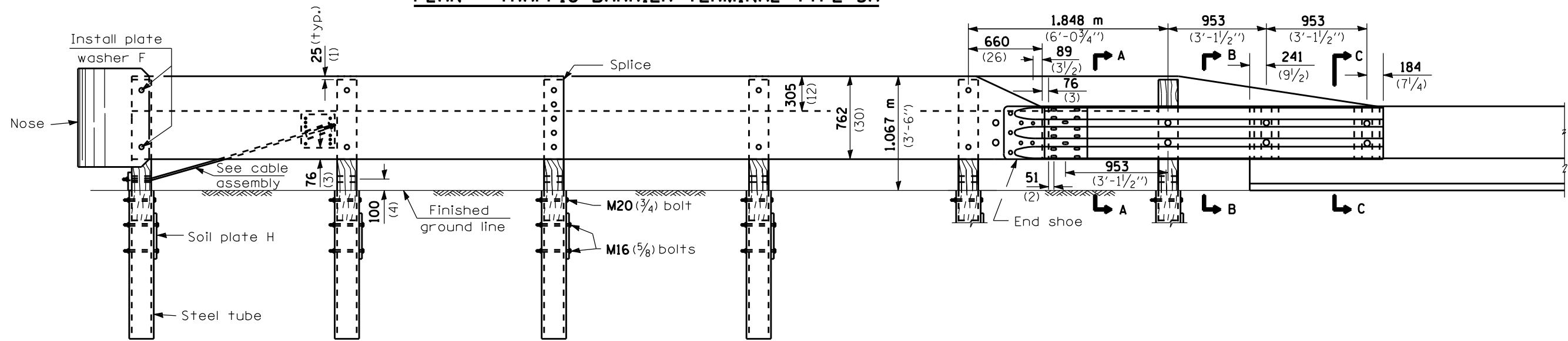
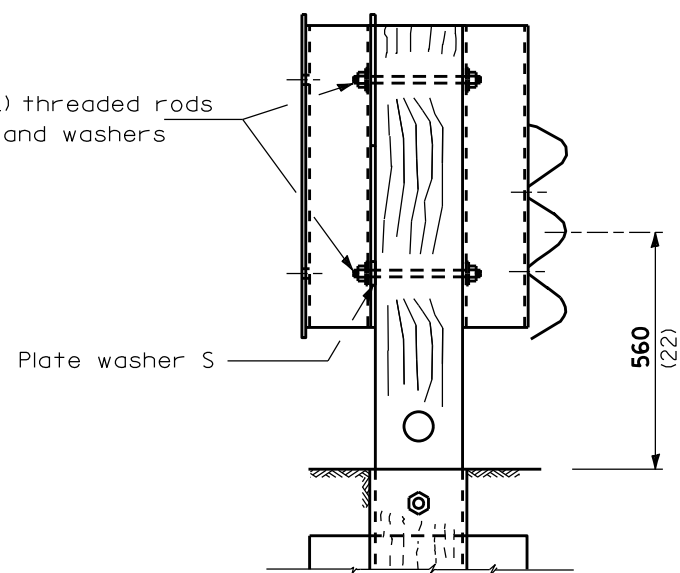


**PLAN - TRAFFIC BARRIER TERMINAL TYPE 3A**



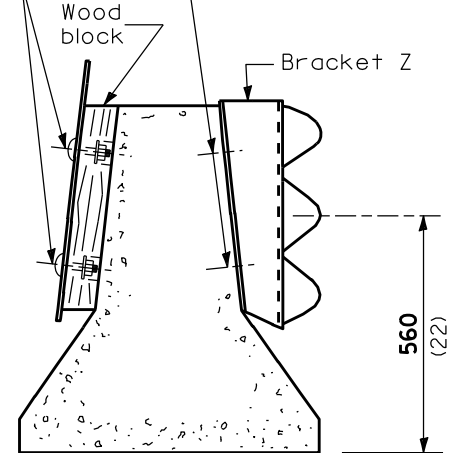
**ELEVATION**

2- M16x280 (5/8x11) threaded rods with nuts and washers



**SECTION A-A**

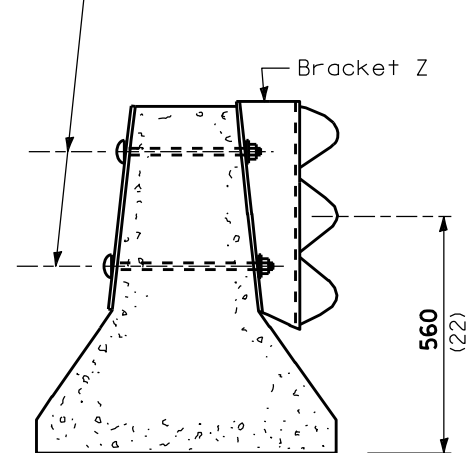
2- M16 (5/8) button head bolts with hex nuts and washers recessed in wood block.



**SECTION B-B**

4 - 2 unit expanding or self-drilling anchors for M16 (5/8) bolts with standard washers

4- M16 (5/8) button head bolts with hex nuts and washers installed thru concrete barrier, with button head on plate side. Pre-drill 25 (1) dia. holes in concrete barrier.



**SECTION C-C**

**DETAIL INCLUDED FOR REPAIR ONLY**

All dimensions are in millimeters (inches) unless otherwise shown.

|                     |                    |            |           |   |                                      |                     |              |                     |                           |              |           |    |
|---------------------|--------------------|------------|-----------|---|--------------------------------------|---------------------|--------------|---------------------|---------------------------|--------------|-----------|----|
| FILE NAME = *FILEL* | USER NAME = *USER* | DESIGNED - | REVISED - | STATE OF ILLINOIS<br>DEPARTMENT OF TRANSPORTATION | TRAFFIC BARRIER TERMINAL TYPE 3 & 3A |                     | F.A. RTE.    | SECTION             | COUNTY                    | TOTAL SHEETS | SHEET NO. |    |
|                     |                    | DRAWN -    | REVISED - |   | SCALE:                               | SHEET NO. OF SHEETS | STA. TO STA. | VAR.                |                           | VAR.         | 43        | 16 |
|                     |                    | CHECKED -  | REVISED - |   |                                      |                     |              |                     |                           |              |           |    |
|                     |                    | DATE       | REVISED   |   |                                      |                     |              | FED. ROAD DIST. NO. | ILLINOIS FED. AID PROJECT |              |           |    |

• D-3 HIGHWAY DAMAGE REPAIR 2015