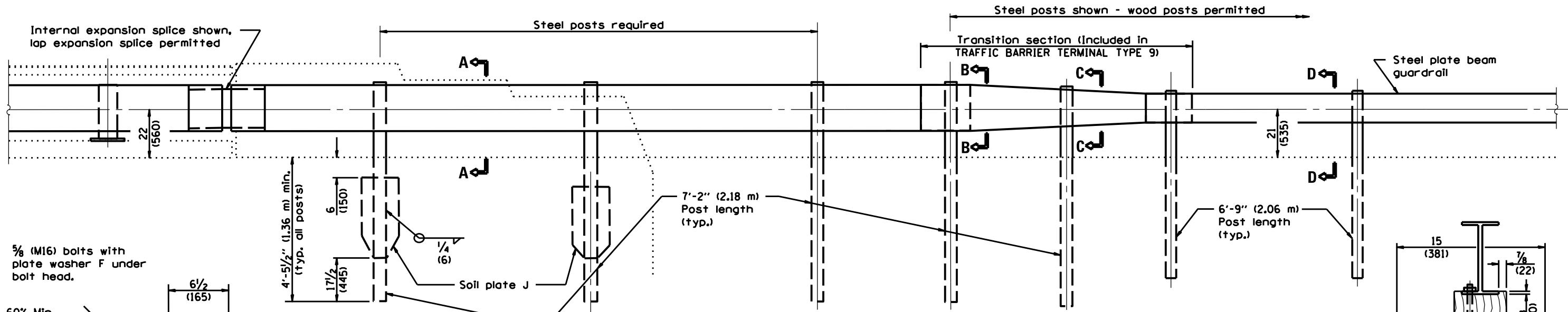
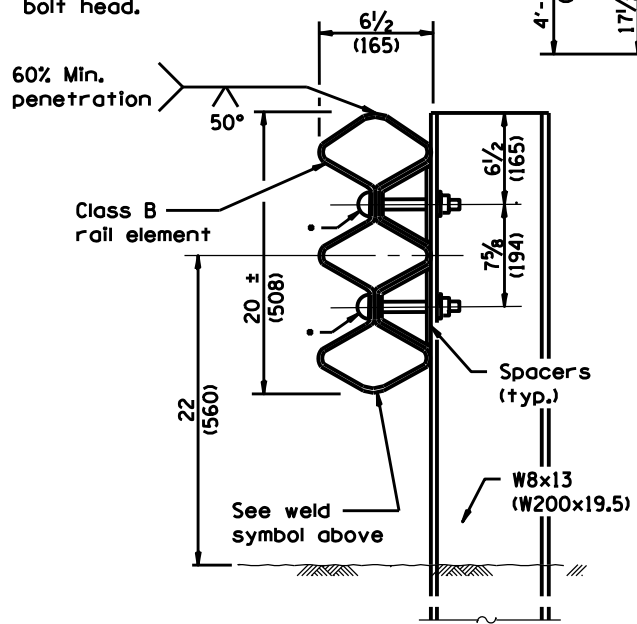


PLAN
(Bridge with expansion joint shown)

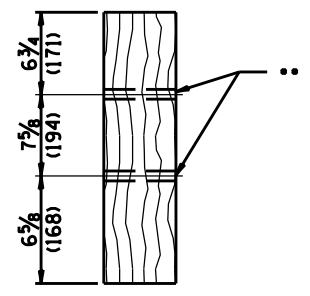
Note:
Taper 25:1 until guardrail intercepts shoulder line.



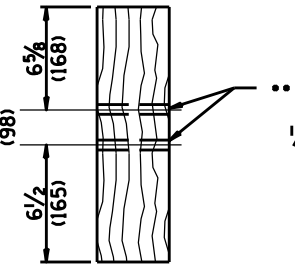
ELEVATION



SECTION A-A



SECTION B-B

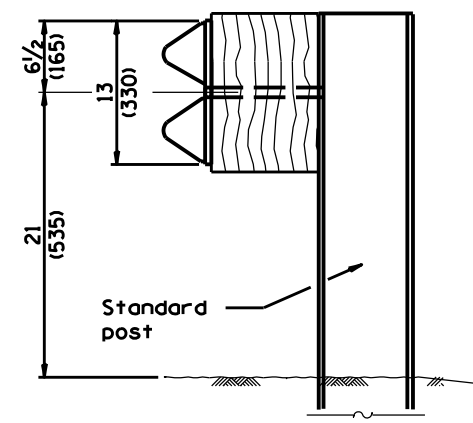


SECTION C-C

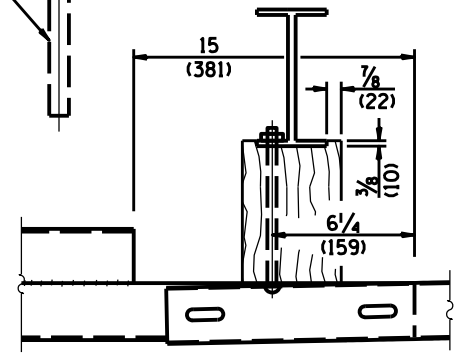
DETAILS of BLOCK-OUTS
•• \varnothing 3/4 (19) Dia. hole

4-3/4 (19) Dia. holes with
5/8 (M16) hex head bolts
with std. hex nut (typ.)

SOIL PLATE J & ALTERNATE CONNECTION DETAILS



SECTION D-D



DETAIL A

GENERAL NOTES

See Standards 509001 and 630001 for details of guardrail elements not shown.

The Type 9 terminal shall be installed after the posts for the bridge retrofit rail have been located as shown on Standard 509001.

All dimensions are in inches (millimeters) unless otherwise shown. • D-3 HIGHWAY DAMAGE REPAIR 2015

FILE NAME =	USER NAME = #USER#	DESIGNED -	REVISED -	STATE OF ILLINOIS DEPARTMENT OF TRANSPORTATION	TRAFFIC BARRIER TERMINAL TYPE 9		F.A. RTE.	SECTION	COUNTY	TOTAL SHEETS	SHEET NO.	
#FILE#		DRAWN -	REVISED -		SCALE: _____	SHEET _____ OF _____ SHEETS	STA. _____ TO STA. _____	VAR.		VAR.	43	21
#MODELNAME#		CHECKED -	REVISED -		CONTRACT NO. 66015							
		DATE -	REVISED -		ILLINOIS FED. AID PROJECT							