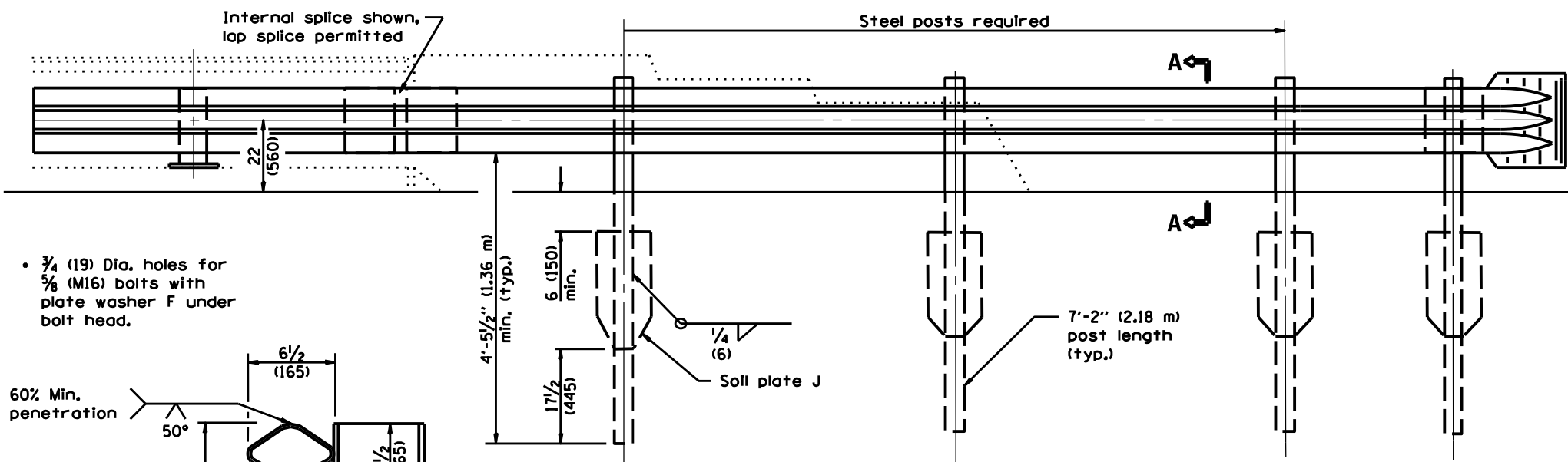
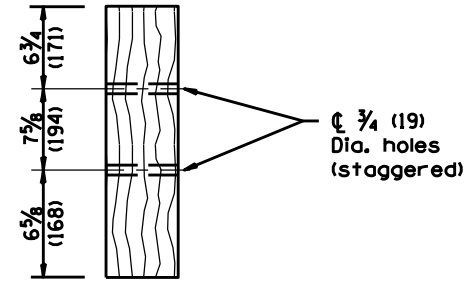
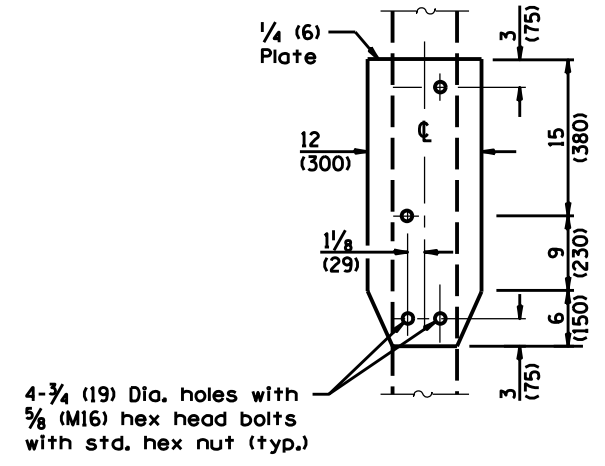
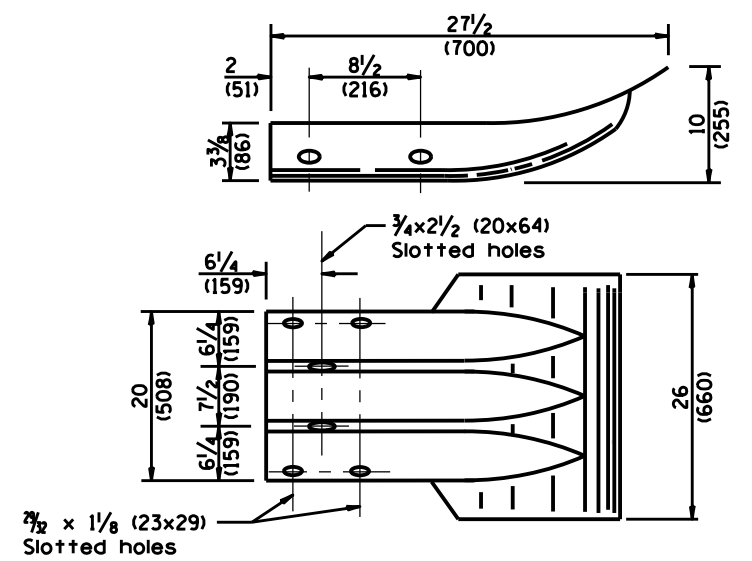
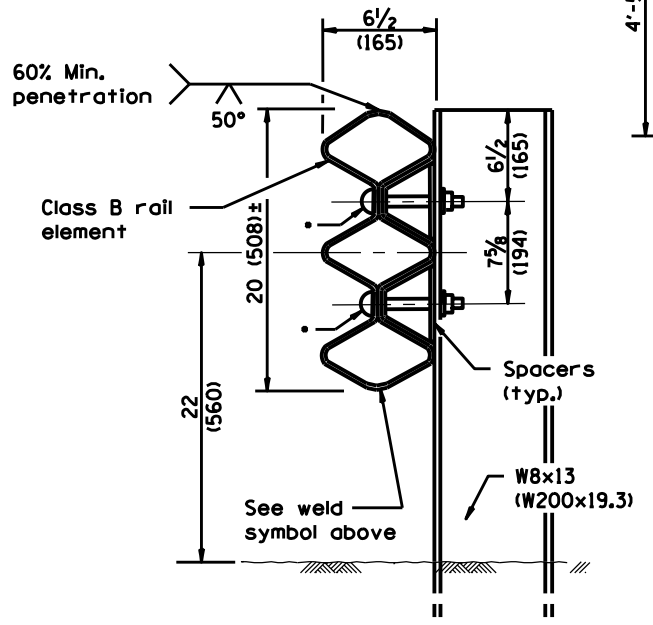


**DETAIL A**



- 3/4 (19) Dia. holes for 5/8 (M16) bolts with plate washer F under bolt head.



**GENERAL NOTES**

See Standard 509001 and 630001 for details of guardrail elements not shown.

The Type 12 terminal shall be installed after the posts for the bridge retrofit rail have been located as shown on Standard 509001.

All dimensions are in inches (millimeters) unless otherwise shown.

• D-3 HIGHWAY DAMAGE REPAIR 2015

FILE NAME =	USER NAME = \$USER\$	DESIGNED -	REVISED -	STATE OF ILLINOIS DEPARTMENT OF TRANSPORTATION	TRAFFIC BARRIER TERMINAL TYPE 12	F.A. RTE.	SECTION	COUNTY	TOTAL SHEETS	SHEET NO.	
*FILEL\$		DRAWN -	REVISED -			VAR.		VAR.	43	22	
*MODELNAME\$		CHECKED -	REVISED -			CONTRACT NO. 66015					
		DATE -	REVISED -			SCALE: _____	SHEET _____	OF _____	SHEETS	STA. _____	TO STA. _____