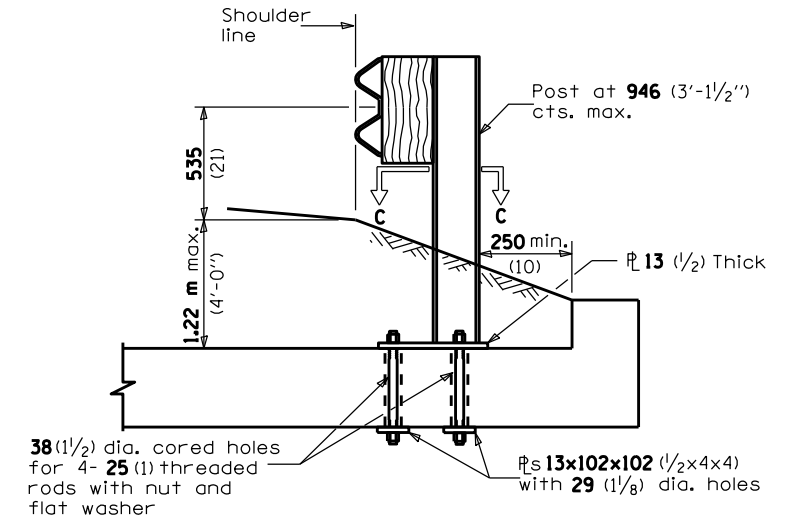
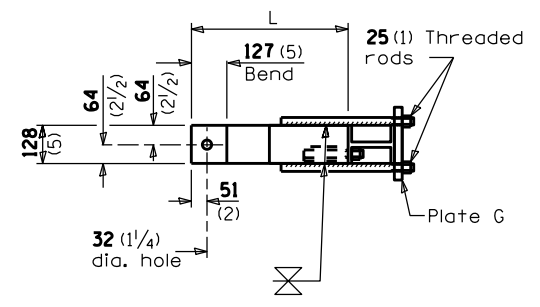


CROSS SECTION

ELEVATION

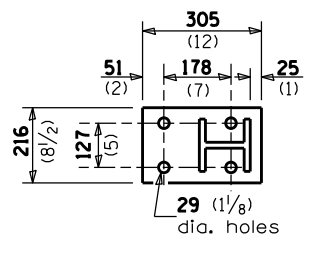


CROSS SECTION



SECTION B-B

**CASE III
MOUNTED ON HEADWALL
WITH CURVED OR DEMOLISHED TIP**



SECTION C-C

**CASE IV
MOUNTED ON SLAB**

All dimensions are in millimeters (inches) unless otherwise shown.