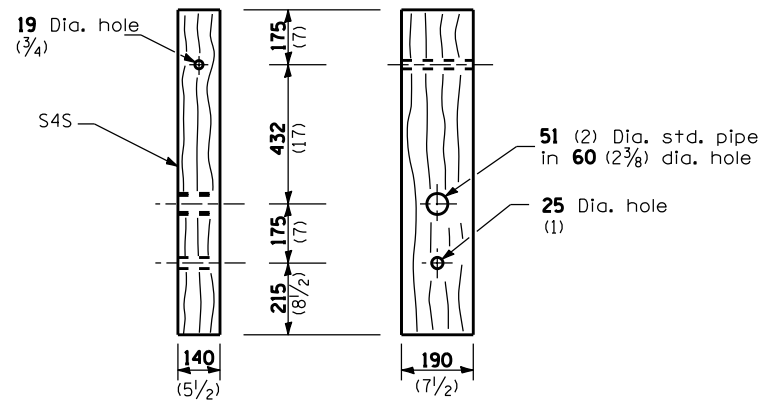
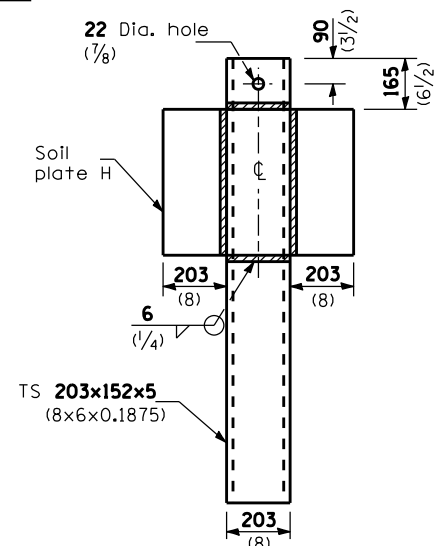


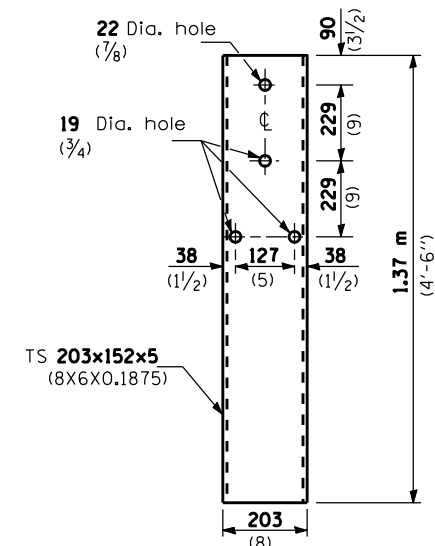
BEARING PLATE K



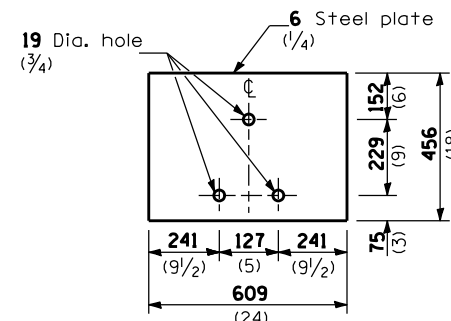
WOOD POST



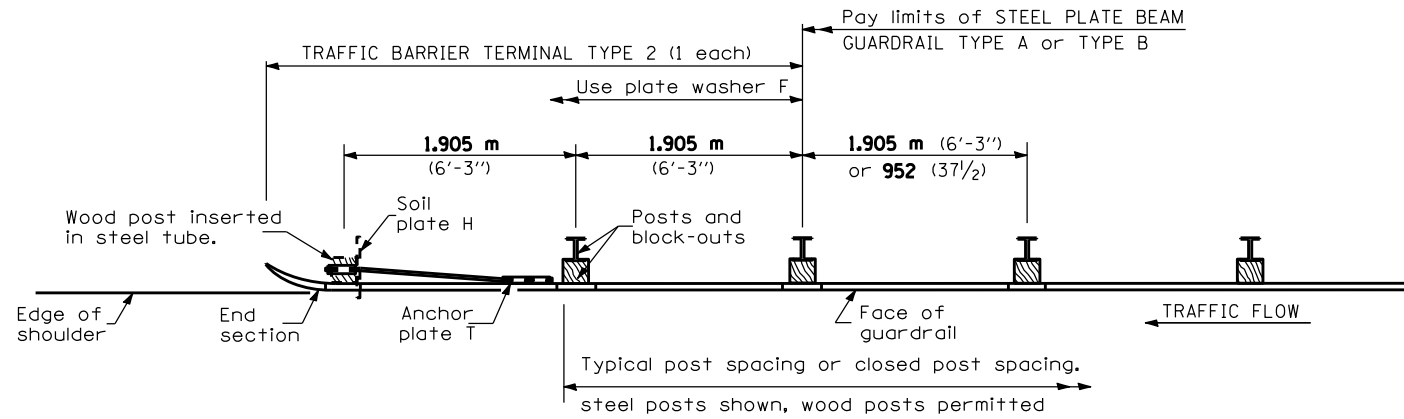
ALTERNATE SOIL PLATE CONNECTION



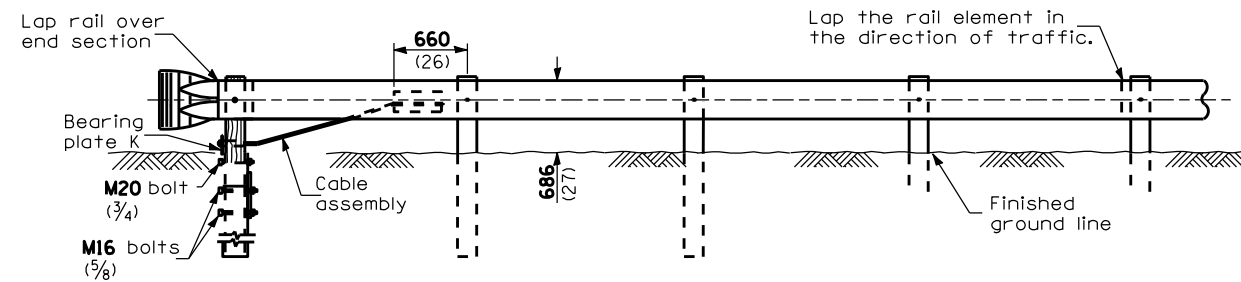
STEEL TUBE



SOIL PLATE H



PLAN



ELEVATION

GENERAL NOTES

See Standard 630001 for details of guardrail not shown.

Use plate washer F at all posts.

The bearing plate K shall be held in position by (2) two eight penny nails driven into the post and bent over the top of the plate.

All dimensions are in millimeters (inches) unless otherwise shown.

FILE NAME =	USER NAME = \$USER\$	DESIGNED -	REVISED -	STATE OF ILLINOIS DEPARTMENT OF TRANSPORTATION	PRE-MGS EFFECTIVE 4-1-06 TRAFFIC BARRIER TERMINAL TYPE 2 STANDARD 631011-02	F.A. RTE.	SECTION	COUNTY	TOTAL SHEETS	SHEET NO.	
*FILEL\$		DRAWN -	REVISED -			Y&B.		Y&B.	43	31	
PLOT SCALE = *SCALE*		CHECKED -	REVISED -			CONTRACT NO. 66015					
PLOT DATE = \$DATE*		DATE -	REVISED -			SCALE: _____	SHEET NO. ___ OF ___ SHEETS	STA. _____ TO STA. _____	FED. ROAD DIST. NO. ILLINOIS FED. AID PROJECT		