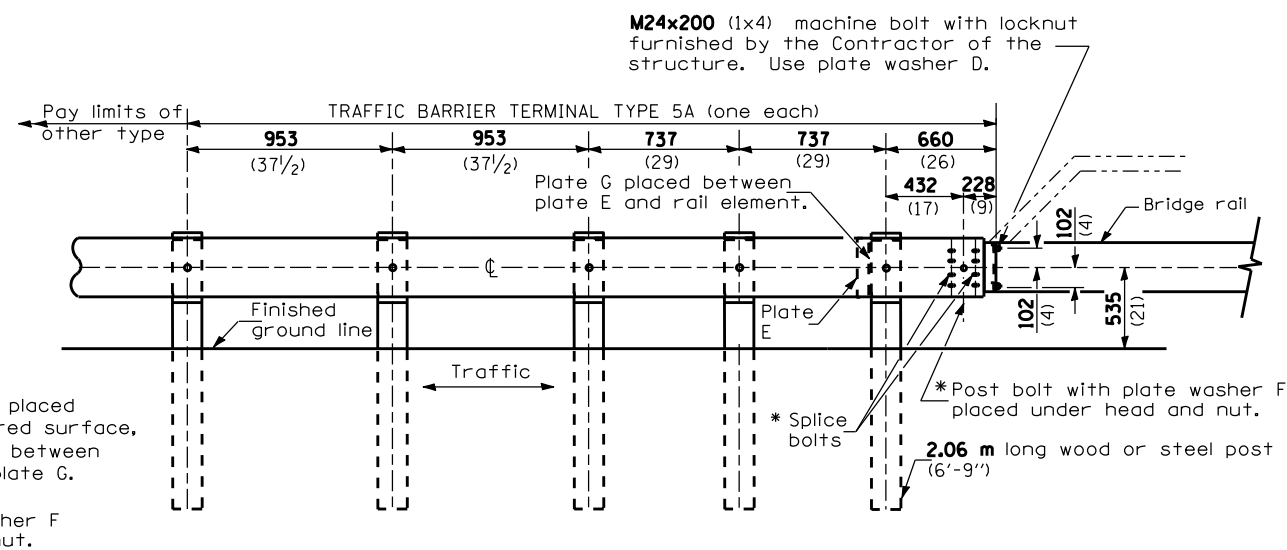
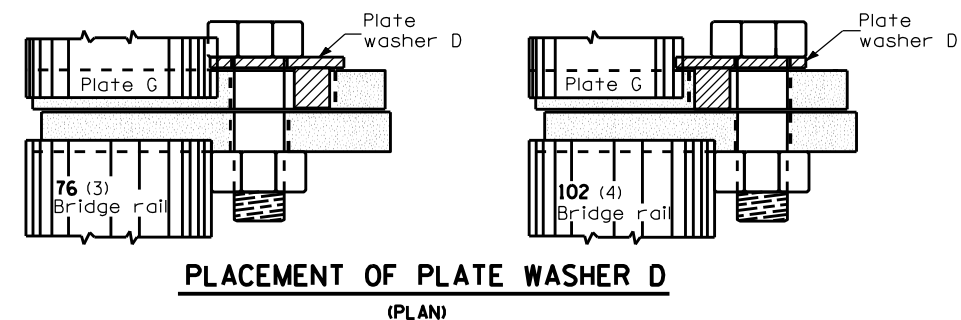
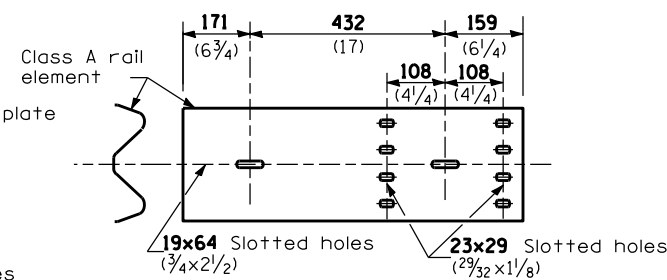
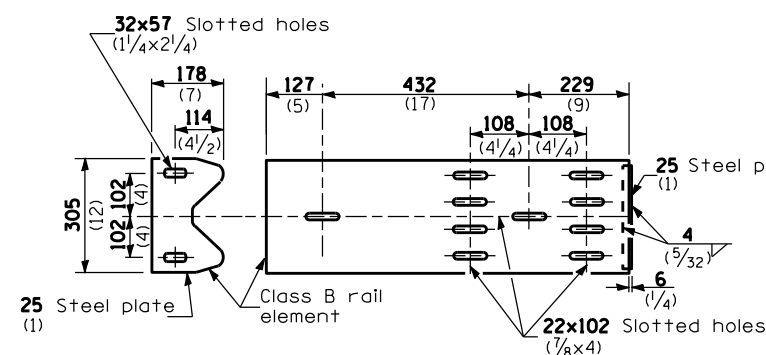


TYPE 5 - CONCRETE BRIDGE PARAPET



TYPE 5A - STEEL BRIDGE RAIL



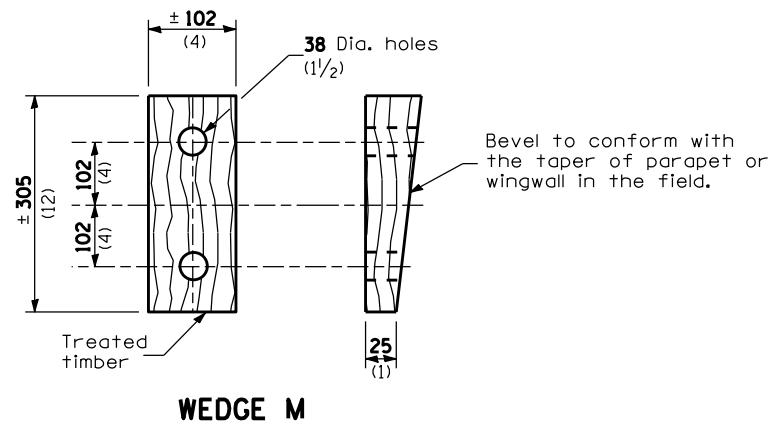
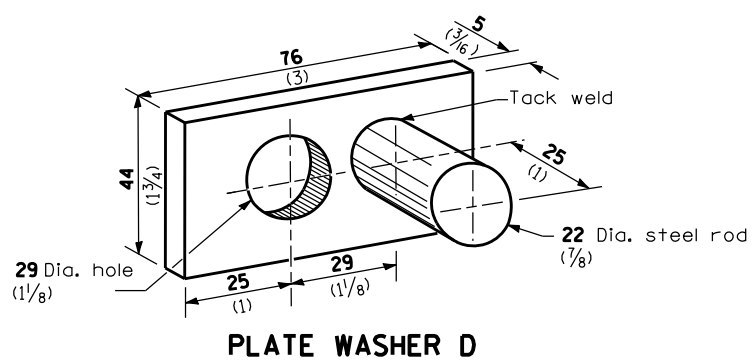
GENERAL NOTES

Install plate washer D so that the 25 mm (1") projection fills the remainder of the slotted holes in the 25 mm (1") end plate on plate G after the M24 (1") dia. bolts are in place.

* Bolts shall be provided with locknut or double nut and shall be tightened only to a point that will allow plate G to be free to move when an expansion joint exists below the connector.

See Standard 630001 for details of guardrail not shown.

All dimensions are in millimeters (inches) unless otherwise shown.



FILE NAME =	USER NAME = *USER*	DESIGNED -	REVISED -	STATE OF ILLINOIS DEPARTMENT OF TRANSPORTATION	PRE-MGS EFFECTIVE 4-1-06 TRAFFIC BARRIER TERMINAL TYPE 5 & 5A STANDARD 631026-02	F.A. RTE.	SECTION	COUNTY	TOTAL SHEETS	SHEET NO.	
FILEL		DRAWN -	REVISED -			Y&B.		Y&B.	43	32	
PLOT SCALE = *SCALE*		CHECKED -	REVISED -			SCALE: _____ SHEET NO. ____ OF ____ SHEETS STA. _____ TO STA. _____		CONTRACT NO. 66015			
PLOT DATE = *DATE*		DATE -	REVISED -			FED. ROAD DIST. NO. ILLINOIS FED. AID PROJECT					