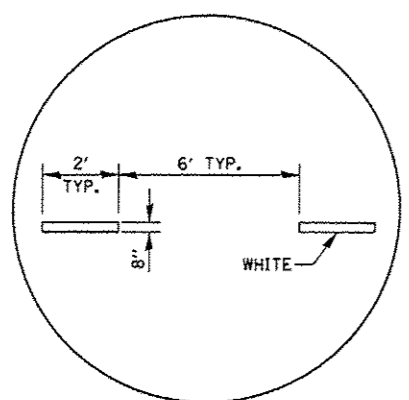
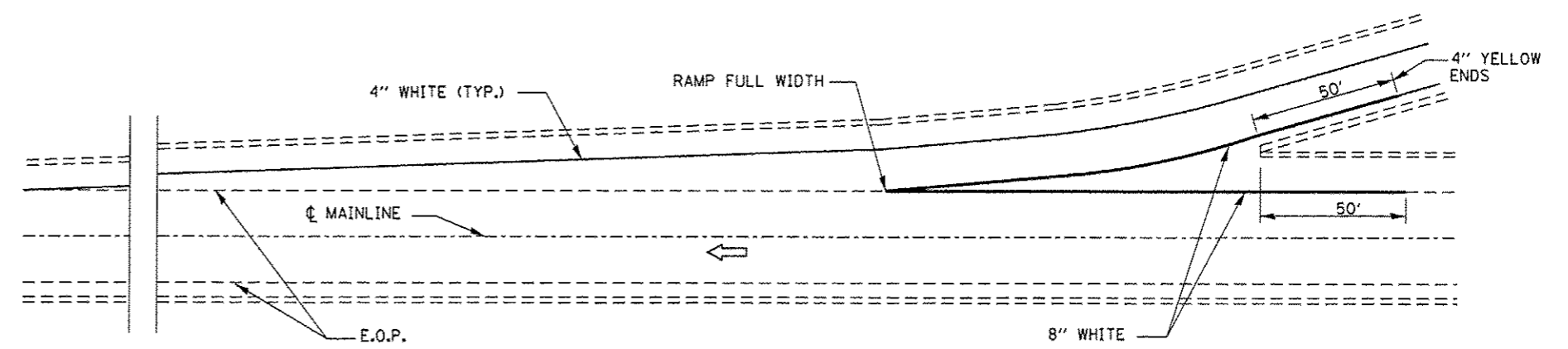


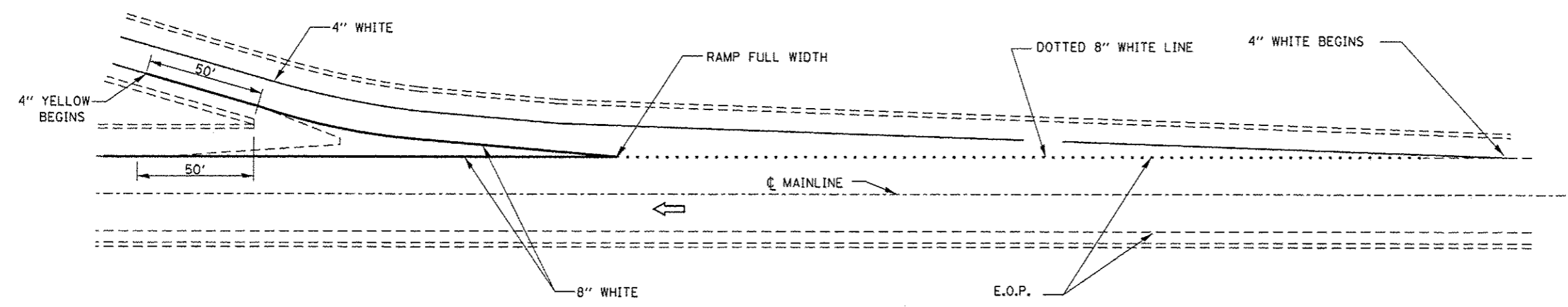
**TYPICAL PAVEMENT MARKINGS**



**INTERSTATE RAMP TRANSITION LINE**



**TYPICAL PAVEMENT MARKING FOR ENTRANCE RAMP TERMINALS**



**TYPICAL PAVEMENT MARKINGS FOR EXIT RAMP TERMINALS**

FILE NAME *	USER NAME = santacruzja	DESIGNED -	REVISED -	<b>STATE OF ILLINOIS DEPARTMENT OF TRANSPORTATION</b>	<b>TYPICAL PAVEMENT MARKINGS</b>	F.A.I. RTE.	SECTION	COUNTY	TOTAL SHEETS	SHEET NO.	
c:\pwwork\pwwork\santacruzja\9281285\0368077.sht-detail.dgn	368077.sht-detail.dgn	DRAWN -	REVISED -			55	D3 PATCHING 2016-3	GRUNDY	13	13	
#MODELNAME*	PLOT SCALE = 580000.1838 ' / 1" =	CHECKED -	REVISED -			CONTRACT NO. 66077					
	PLOT DATE = 3/31/2014	DATE -	REVISED -			SCALE:	SHEET 1 OF 1 SHEETS	STA.	TO STA.	ILLINOIS FED. AID PROJECT	