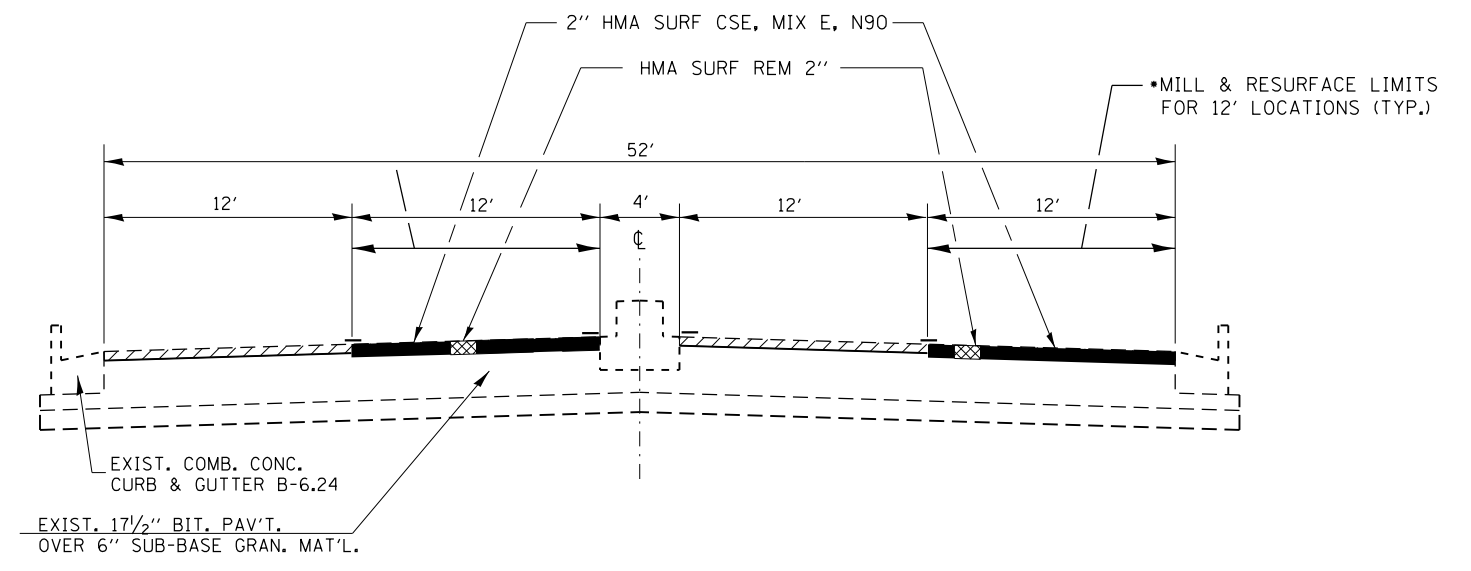


IL 47 TYPICAL SECTION

• SEE SCHEDULE FOR LOCATIONS

NOTE: HMA SURFACE REMOVAL MILLINGS TO BE USED AT LOW SHOULDER LOCATIONS

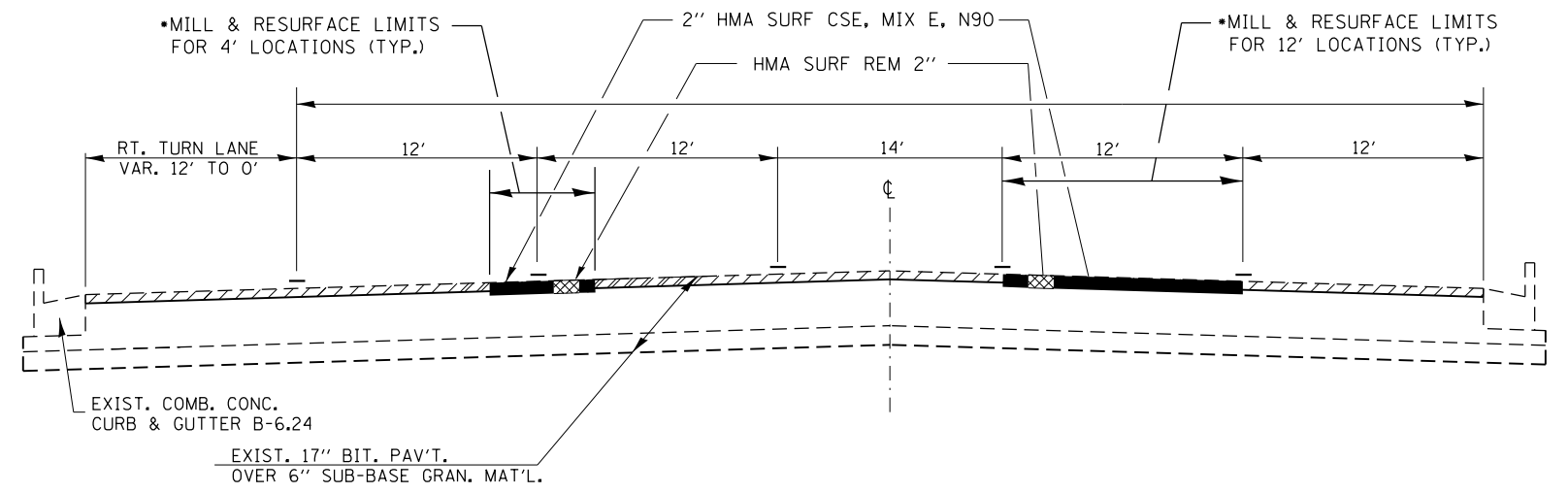


IL 47/US 6 TYPICAL SECTION

• SEE SCHEDULE FOR LOCATIONS

IL 47 YORKVILLE IL 47 MORRIS

	HMA SURFACE	HMA SURFACE
PG GRADE	PG64-22	PG64-22
DESIGN AIR VOIDS	4.0% @ N70	4.0% @ N90
MIXTURE COMPOSITION	IL 9.5	IL 9.5
FRICTION AGGREGATE	MIXTURE D	MIXTURE E
DENSITY TEST METHOD	CORES	CORES



IL 47/US 6 TYPICAL SECTION

• SEE SCHEDULE FOR LOCATIONS