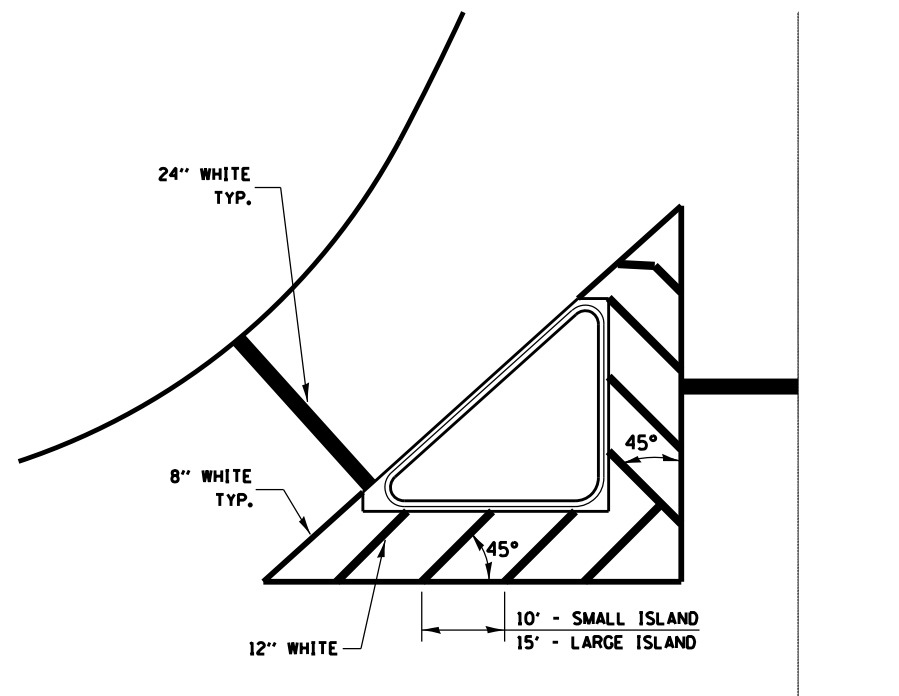
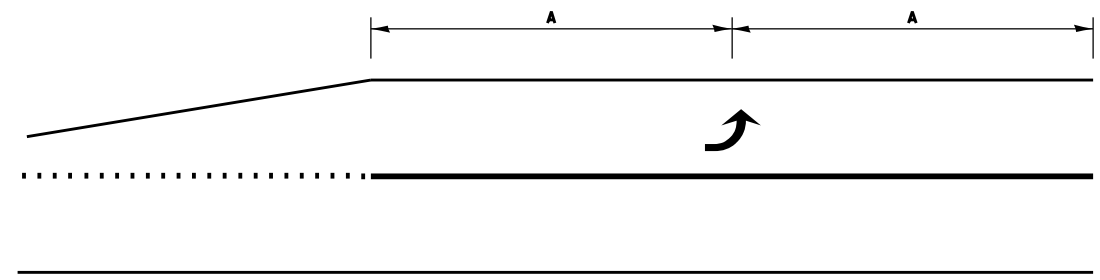


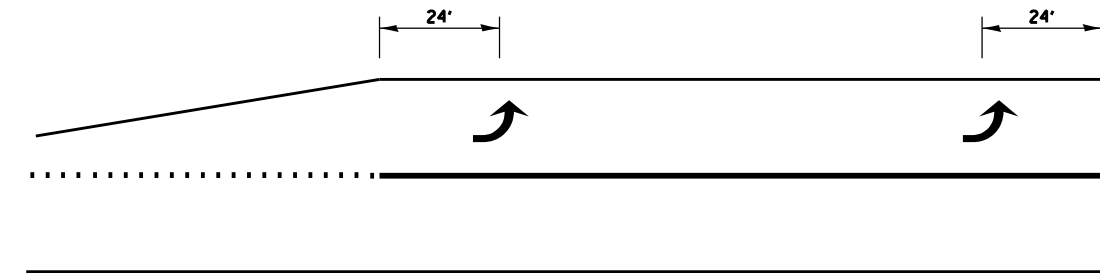
**ADVANCE AND INTERSECTION LANE
DIVIDER LINES**



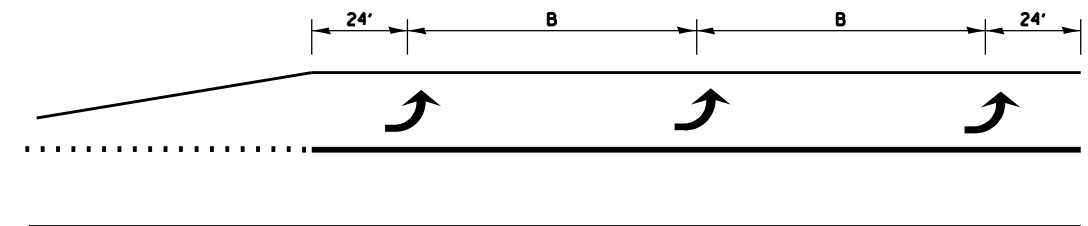
TYPICAL ISLAND



99' AND UNDER



100' TO 149'



150' AND LONGER

**TYPICAL PLACEMENT OF ARROWS
IN TURN LANES**

* INTERMITTENT SPRING ROAD REPAIR 2014-7

FILE NAME = c:\pwwork\pwwork\mcfaddenka\08387933\3xxxxx-sht-details.dgn	USER NAME = mcfaddenka	DESIGNED -	REVISED -	STATE OF ILLINOIS DEPARTMENT OF TRANSPORTATION	DETAILS				F.A.P. RTE.	SECTION	COUNTY	TOTAL SHEETS	SHEET NO.
Default	PLOT SCALE = 100.0000' / 1in.	DRAWN -	REVISED -		SCALE:	SHEET	OF	SHEETS	STA.	TO STA.	FORD	11	8
	PLOT DATE = 4/10/2014	CHECKED -	REVISED -								CONTRACT NO. 66092		
		DATE -	REVISED -								<small>ILLINOIS FED. AID PROJECT</small>		