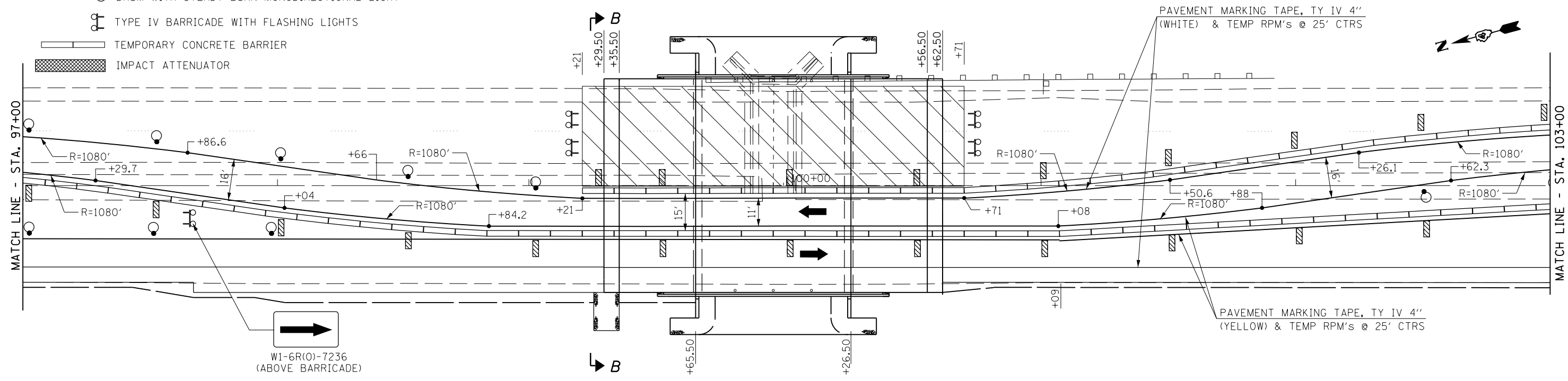


LEGEND

- ARROW BOARD
 - WORK AREA
 - SIGN
 - LDS PANELS
 - DIRECTION INDICATOR BARRICADE WITH STEADY BURN MONODIRECTIONAL LIGHT
 - DRUM WITH STEADY BURN MONODIRECTIONAL LIGHT
 - TYPE IV BARRICADE WITH FLASHING LIGHTS
 - TEMPORARY CONCRETE BARRIER
 - IMPACT ATTENUATOR
- PAVEMENT MARKING TAPE, TY IV 4" (WHITE) & TEMP RPM's @ 25' CTRS

STAGE I



STAGE II



FUHRMANN
ENGINEERING INC.
2852 South 11th Street
Springfield, Illinois 62703

USER NAME = \$USER*	DESIGNED -	REVISED -
PLOT SCALE = \$SCALE*	DRAWN -	REVISED -
PLOT DATE = \$DATE* \$TIME*	CHECKED -	REVISED -
	DATE -	REVISED -

STATE OF ILLINOIS
DEPARTMENT OF TRANSPORTATION

TRAFFIC CONTROL PLAN - STAGING

SCALE: SHEET NO. OF SHEETS STA. 97+00 TO STA. 103+00

F.A.U. RTE.	SECTION	COUNTY	TOTAL SHEETS	SHEET NO.
64	(10B)BR	PEORIA	77	25
CONTRACT NO. 68481				
FED. ROAD DIST. NO. 4 ILLINOIS FED. AID PROJECT				