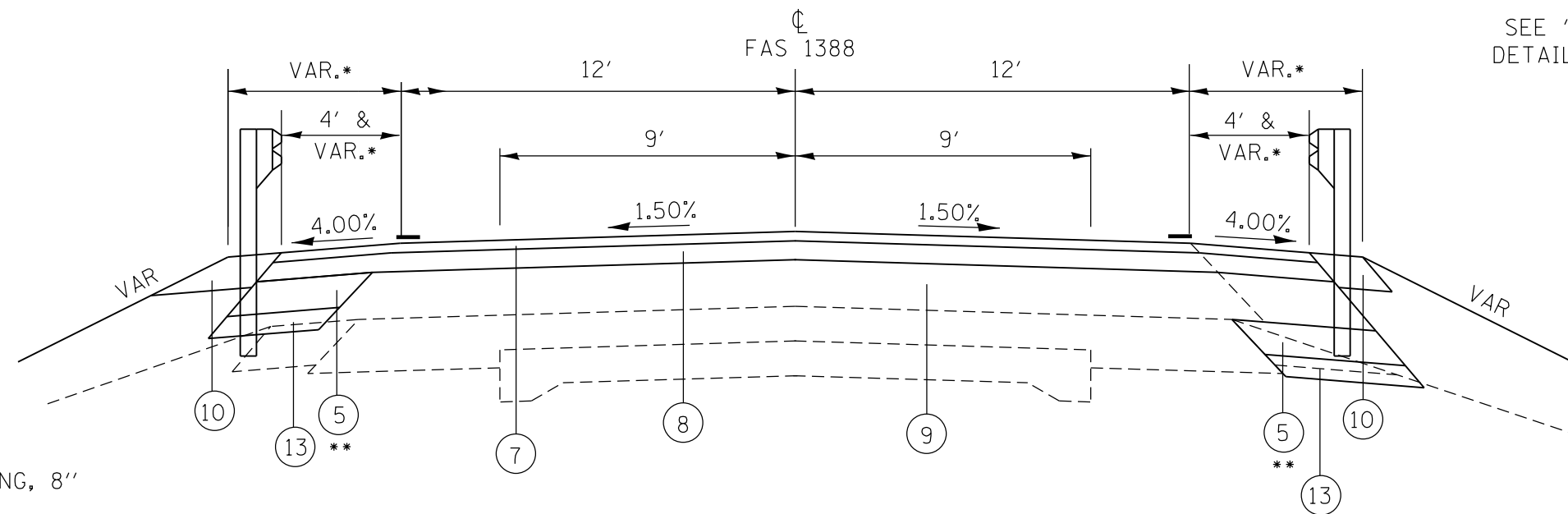


SEE 'SLOPE STEPS DETAIL' SHEET FOR DETAILS OF BENCHING EXISTING SLOPES.

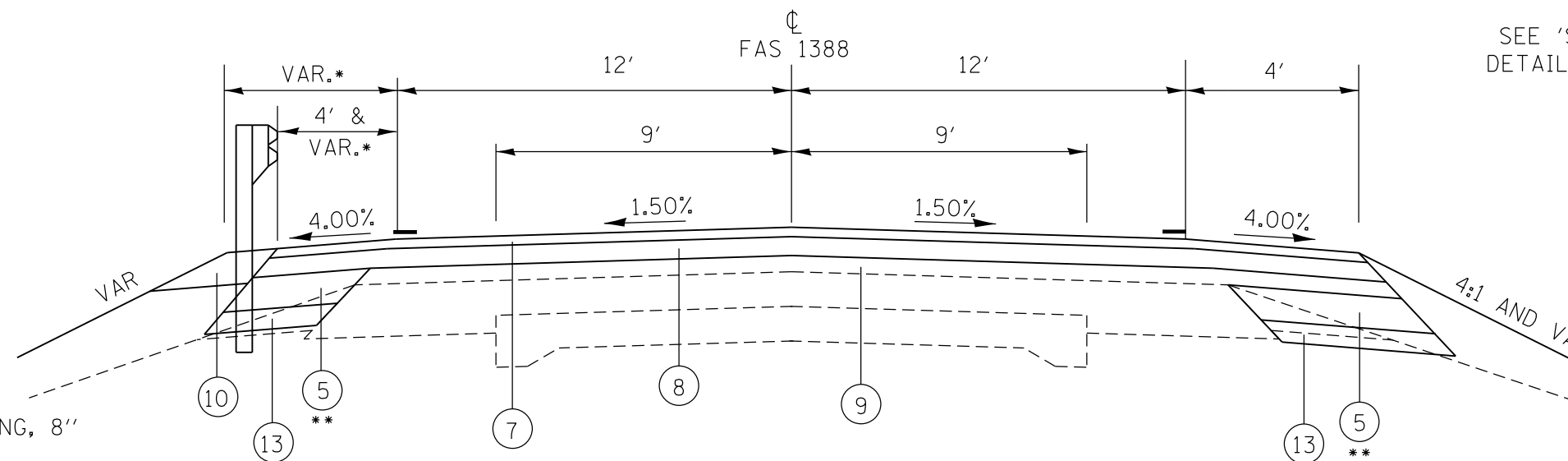


- ⑤ PROPOSED BASE COURSE WIDENING, 8"
- ⑦ PROPOSED POLYMERIZED HOT MIX ASPHALT SURFACE COURSE, MIX "D", N50 1 1/2"
- ⑧ PROPOSED POLYMERIZED HOT MIX ASPHALT BINDER COURSE, IL-12.5, N50 2 1/4"
- ⑨ PROPOSED HOT MIX ASPHALT BINDER COURSE, IL-19.0, N50 (VARIABLE DEPTH)
- ⑩ PROPOSED GUARDRAIL AGGREGATE (EROSION CONTROL)
- ⑬ PROPOSED SUBBASE GRANULAR MATERIAL, TYPE B 6"

PROPOSED TYPICAL SECTION
 STA. 796+59.82 TO STA. 798+75.39
 STA. 803+05.05 TO STA. 804+20.62

*SEE SHOULDER & GUARDRAIL SHEET FOR LIMITS AND WIDTHS OF GUARDRAIL AGGREGATE (EROSION CONTROL)
 **SEE STAGE CONSTRUCTION PLAN SHEET FOR LIMITS AND WIDTHS OF BASE COURSE WIDENING 8" OR HMA SHOULDER 8".

SEE 'SLOPE STEPS DETAIL' SHEET FOR DETAILS OF BENCHING EXISTING SLOPES.



- ⑤ PROPOSED BASE COURSE WIDENING, 8"
- ⑦ PROPOSED POLYMERIZED HOT MIX ASPHALT SURFACE COURSE, MIX "D", N50 1 1/2"
- ⑧ PROPOSED POLYMERIZED HOT MIX ASPHALT BINDER COURSE, IL-12.5, N50 2 1/4"
- ⑨ PROPOSED HOT MIX ASPHALT BINDER COURSE, IL-19.0, N50 (VARIABLE DEPTH)
- ⑩ PROPOSED GUARDRAIL AGGREGATE (EROSION CONTROL)
- ⑬ PROPOSED SUBBASE GRANULAR MATERIAL, TYPE B 6"
- ⑭ PROPOSED HOT MIX ASPHALT SURFACE REMOVAL

PROPOSED TYPICAL SECTION
 STA. 804+20.62 TO STA. 804+70.62

*SEE SHOULDER & GUARDRAIL SHEET FOR LIMITS AND WIDTHS OF GUARDRAIL AGGREGATE (EROSION CONTROL)
 **SEE STAGE CONSTRUCTION PLAN SHEET FOR LIMITS AND WIDTHS OF BASE COURSE WIDENING 8" OR HMA SHOULDER 8".

FILE NAME =	USER NAME = bemory	DESIGNED -	REVISED -	STATE OF ILLINOIS DEPARTMENT OF TRANSPORTATION	TYPICAL SECTIONS IL 8 OVER KICKAPOO CREEK		F.A.S. RTE.	SECTION	COUNTY	TOTAL SHEETS	SHEET NO.
P:\Projects\2008 Projects\08379 IL 8 over Kickapoo Creek\CV\CADD Sheets\0468697-sh.dgn		CHECKED -	REVISED -		1388	(Z-1D-BR-1)BR	PEORIA	89	13		
PLOT SCALE = 100.0000' / 1"		DATE -	REVISED -		CONTRACT NO. 68697						
PLOT DATE = 3/20/2014					SCALE: N.T.S. SHEET NO. 2 OF 3 SHEETS STA. TO STA. FED. ROAD DIST. NO. ILLINOIS FED. AID PROJECT						