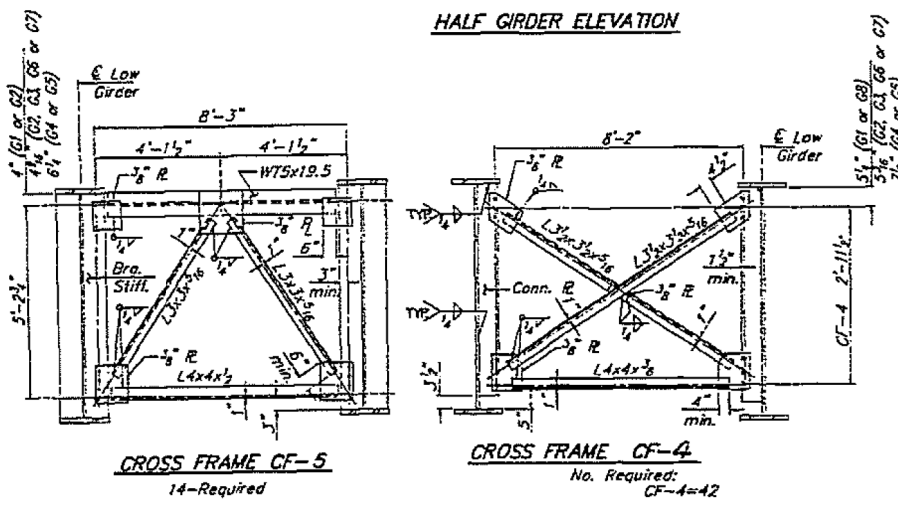
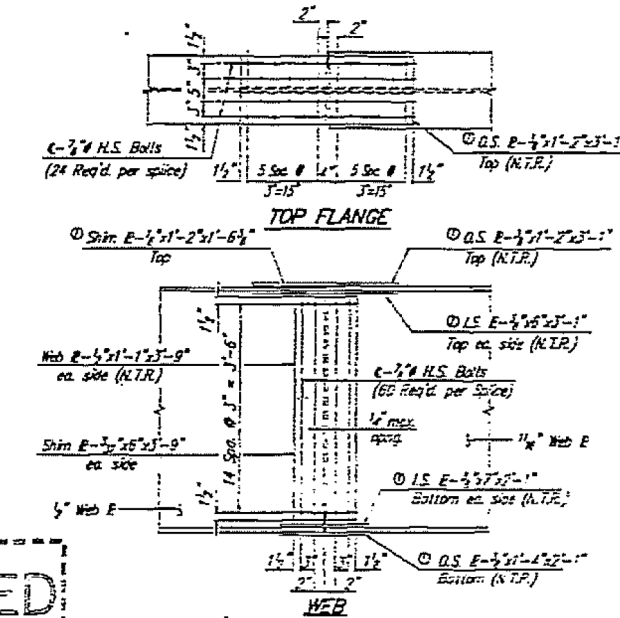
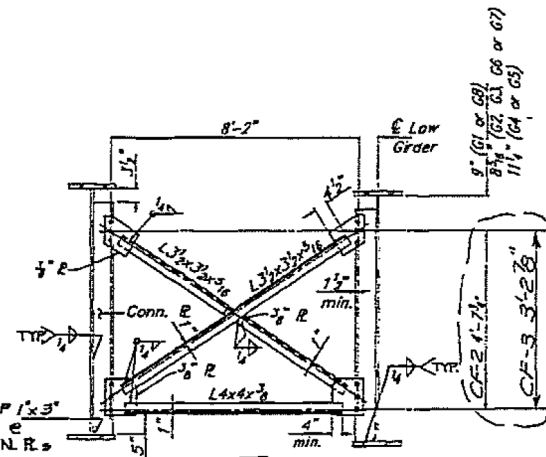
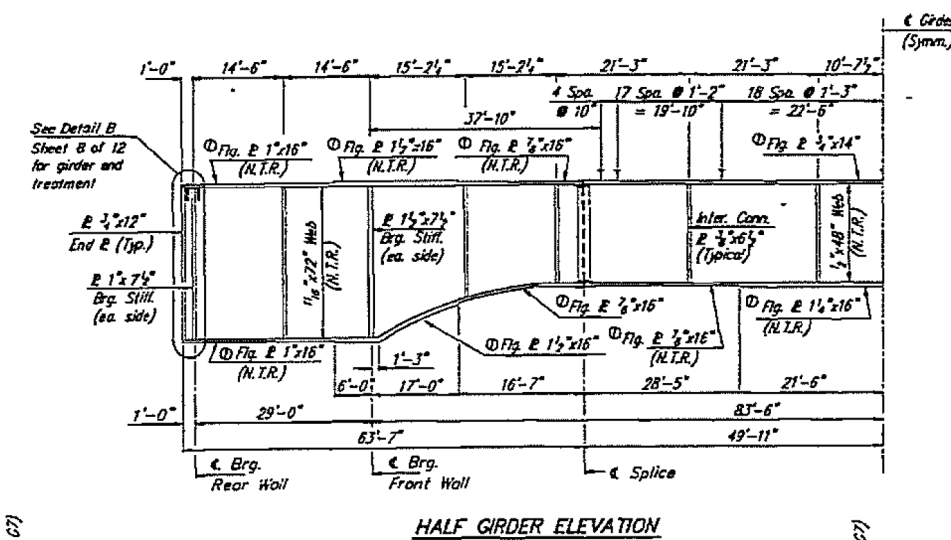
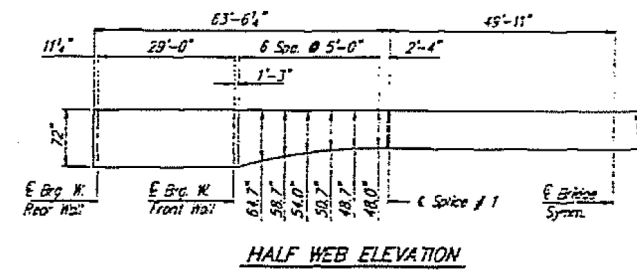
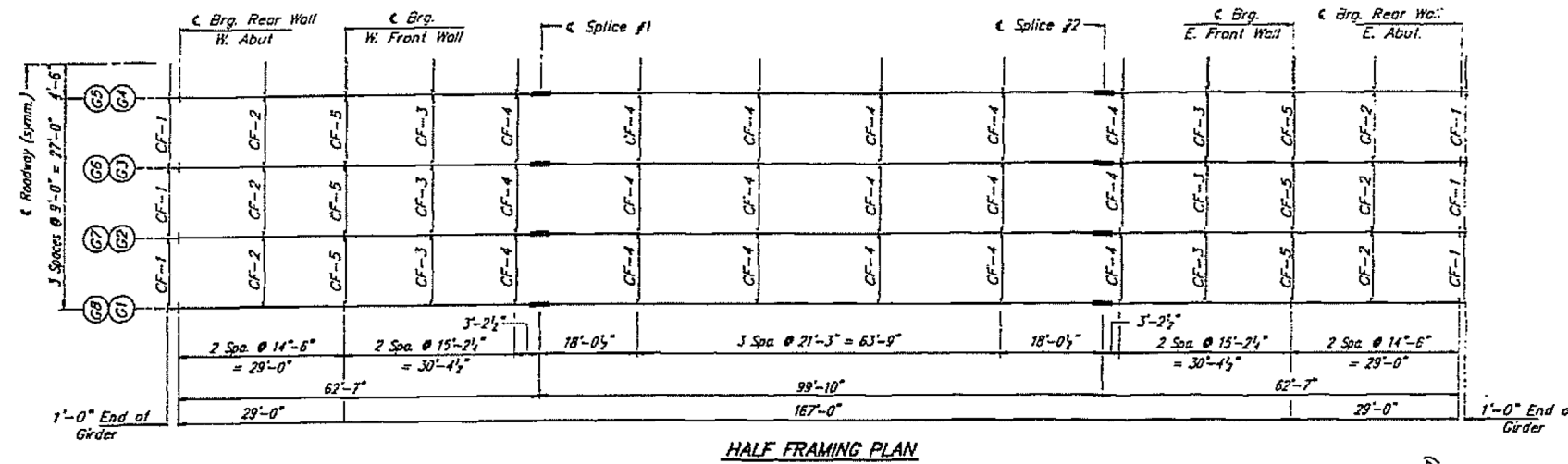
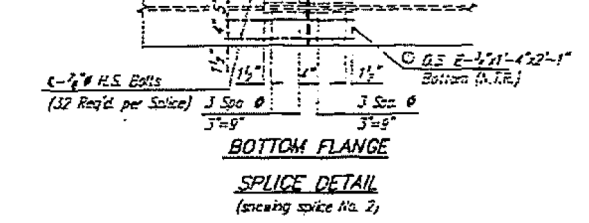
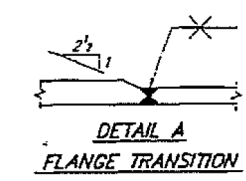
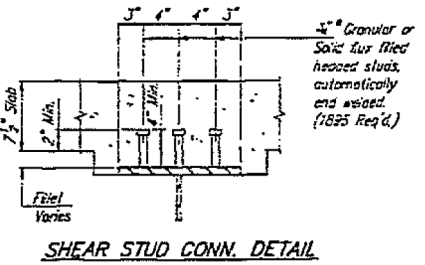
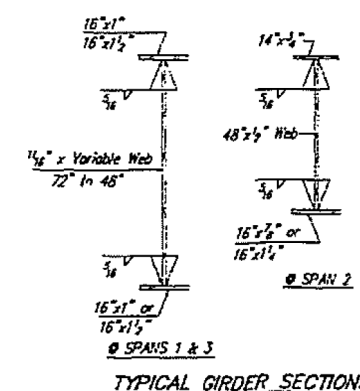


LOCATION 1 S.N. 062-0050 INFORMATION ONLY



Cross Frame Note:
All cross frames shall have 3/8" H.S. Bolts with 1/4" holes.
Hardened washers are required over all holes.
Use 2 washers per bolt.



STRUCTURAL STEEL
ILL. RTE. 17 OVER F.A.P. ROUTE 412
F.A.P. ROUTE 412 - SEC. 62-243-2
MARSHALL COUNTY
STATION 227+49.57
STRUCTURE NUMBER 062-0050

HANSON WILSON
INCORPORATED
9-20-85