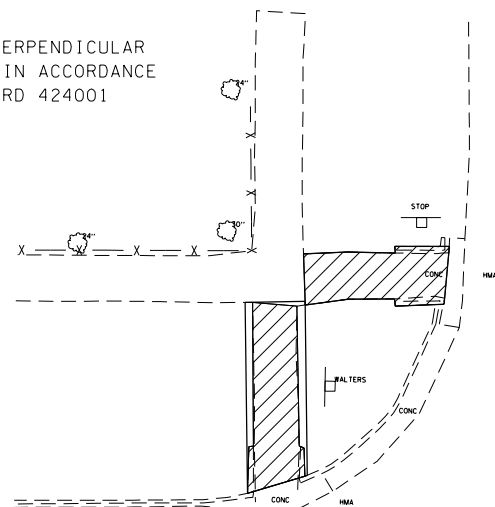
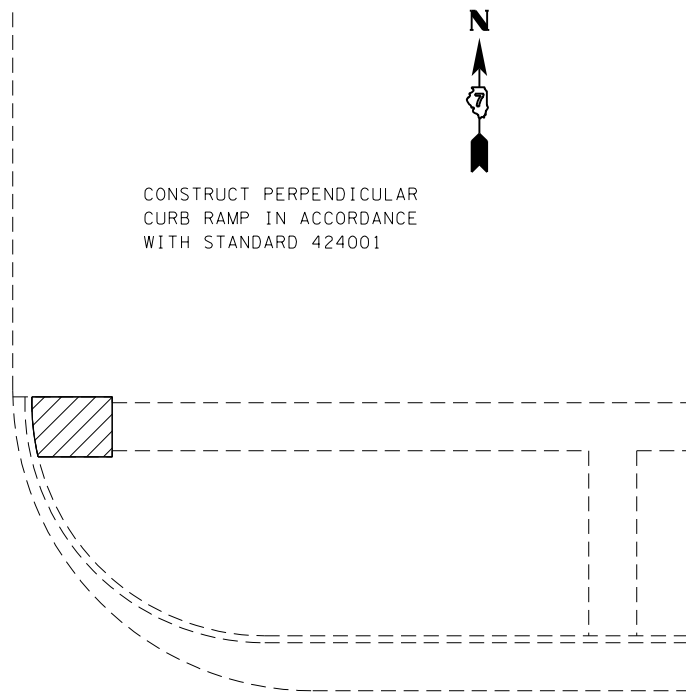


CONSTRUCT PERPENDICULAR CURB RAMPS IN ACCORDANCE WITH STANDARD 424001

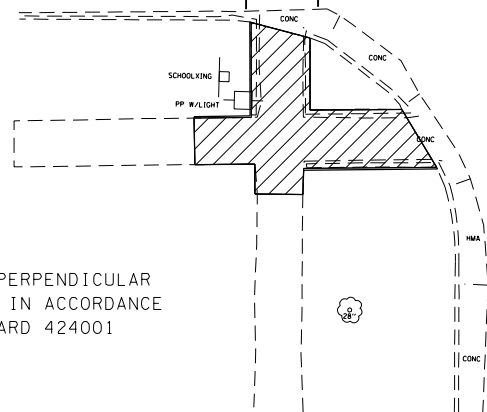


+56 WALTERS ST

CONSTRUCT PERPENDICULAR CURB RAMP IN ACCORDANCE WITH STANDARD 424001



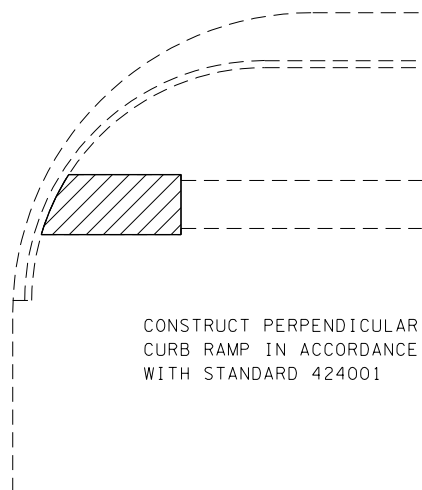
ADD CROSSWALK



CONSTRUCT PERPENDICULAR CURB RAMPS IN ACCORDANCE WITH STANDARD 424001

WALTERS ST +55

CONSTRUCT PERPENDICULAR CURB RAMP IN ACCORDANCE WITH STANDARD 424001



WALTERS & MAIN								
PAY ITEM (UNIT)	QUADRANT							
	NW		NE		SW		SE	
	state	city	state	city	state	city	state	city
SIDEWALK REMOVAL (SQ FT)	60	50		34	128			51
CURB REMOVAL (FOOT)	0.2			0.1				0.1
COMB. CURB & GUTTER REMOVAL (FOOT)								
COMB. CONC. CURB & GUTTER, TYPE B-6.12 (FOOT)								
COMB. CONC. CURB & GUTTER, TYPE B-6.24 (FOOT)								
PCC SIDEWALK 4" (SQ FT)	76	57		34	131			51
DETECTABLE WARNINGS (SQ FT)	8	8		8	16			8

FILE NAME =	USER NAME = steffenmk	DESIGNED -	REVISED -
ci:\pw\work\p\idot\steffenmk\d0282300\074554-sht-sidewalk-details.dgn		DRAWN -	REVISED -
Default	PLOT SCALE = 16.0000' / in.	CHECKED -	REVISED -
	PLOT DATE = 4/5/2013	DATE -	REVISED -

STATE OF ILLINOIS  
DEPARTMENT OF TRANSPORTATION

SIDEWALK DETAILS  
WALTERS STREET

SCALE: SHEET 3 OF 15 SHEETS STA. TO STA.

F.A.P. RTE.	SECTION	COUNTY	TOTAL SHEETS	SHEET NO.
781	(12,172)RS-1	CRAWFORD	60	33
CONTRACT NO. 74554			ILLINOIS FED. AID PROJECT	