

**SHEAR CONNECTOR DETAIL**

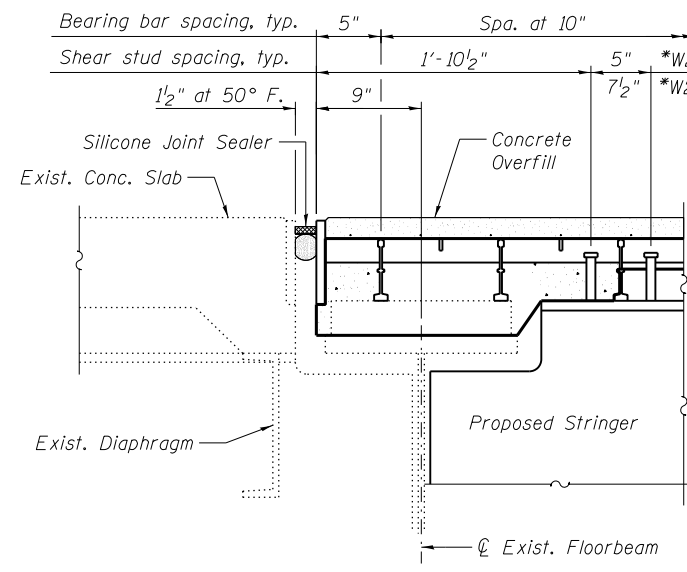
3/4" dia. granular or solid flux filled headed studs, automatically end welded to flange (19,740 req'd.)

\*\* Bottom of open floor drain pipe shall extend 3" minimum below floorbeams at south gutter line, 3" minimum below telephone conduit hangers at north gutter line.

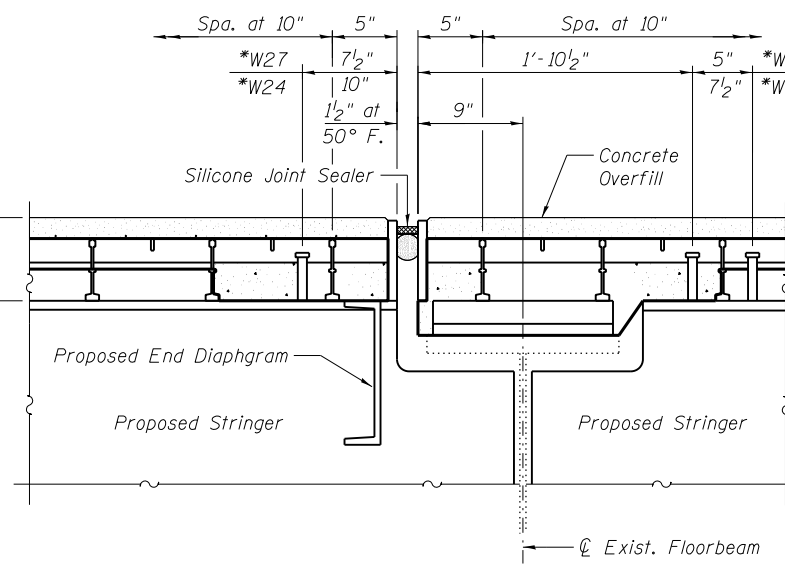
**TYPICAL CROSS SECTION**

Fabricate steel grid deck units to match crown of roadway

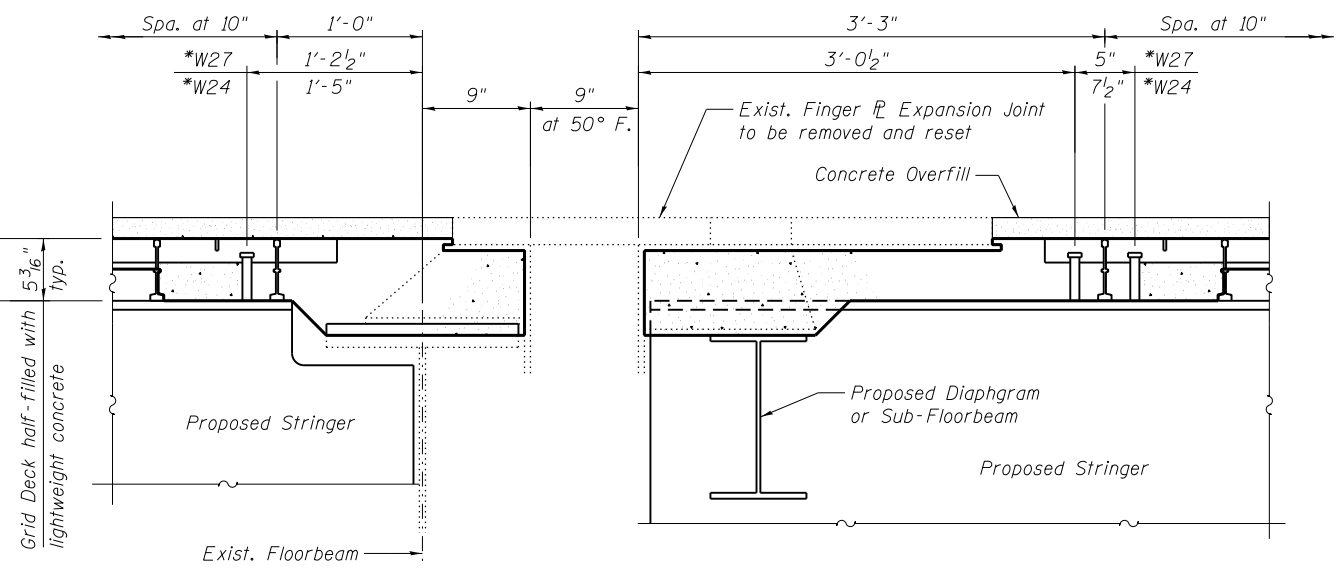
\* Shear stud spa. at 5" max. along top of proposed W27x84 stringer and spa. at 10" max. along top of proposed W24x84 stringer.



**EXPANSION JOINT AT L17  
L17' (OPPOSITE HAND)**



**EXPANSION JOINT AT L20, L22 AND L25  
L25' AND L20' (OPPOSITE HAND)**



**EXPANSION JOINT AT L22'**

Notes:  
Grid deck panel shall be adjusted to proper elevation through the use of built-in leveling bolts or shims.  
For grid deck floor system details, see sheet S16.  
For silicone joint sealer details, see sheet S16.  
For floor drain details, see sheet S17.  
For parapet and post details, see sheet S33.  
For finger plate expansion joint, see sheet S104.



USER NAME =	DESIGNED - YSS	REVISED
	CHECKED - ZJB	REVISED
PLOT SCALE =	DRAWN - PRC	REVISED
PLOT DATE = 05/02/2014	CHECKED - YSS	REVISED

**STATE OF ILLINOIS  
DEPARTMENT OF TRANSPORTATION**

**MAIN SPANS GRID DECK DETAILS - 2  
S.N. 082-6001 MLK BRIDGE OVER MISSISSIPPI RIVER**

SHEET NO. S15 OF S138 SHEETS

F.A.P. RTE.	SECTION	COUNTY	TOTAL SHEETS	SHEET NO.
799	IBR, DRS-2	ST. CLAIR	156	33
CONTRACT NO. 76B03				

ILLINOIS FED. AID PROJECT